

L-VIS

LVIS-3ME7 Touch Panel 7"

LVIS-3ME12 Touch Panel 12.1"

LVIS-3ME15 Touch Panel 15"

Installation instructions

Instructions de montage

Istruzioni di montaggio

Montageanweisung

Instrucciones de montaje

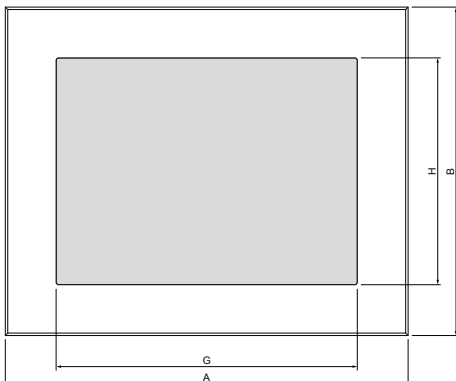
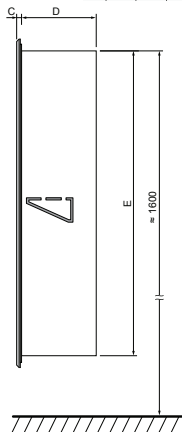
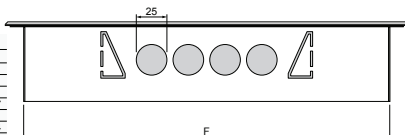
Montagevoorschrift

Monteringsanvisning

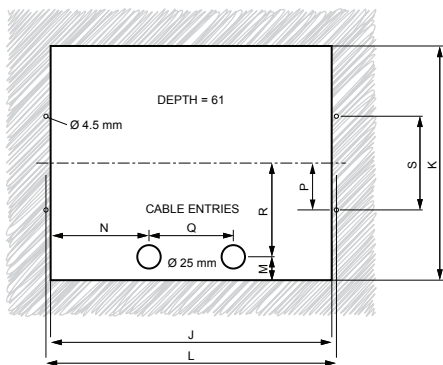


Dimensions in mm

DIM	7"	12.1"	15"
A	223.5	329	394
B	162	268.3	318
C	4	4	4
D	61	61	61
E	142	249	293.7
F	194	299	353
G	153.5	246	304.4
H	92	185.3	228.25



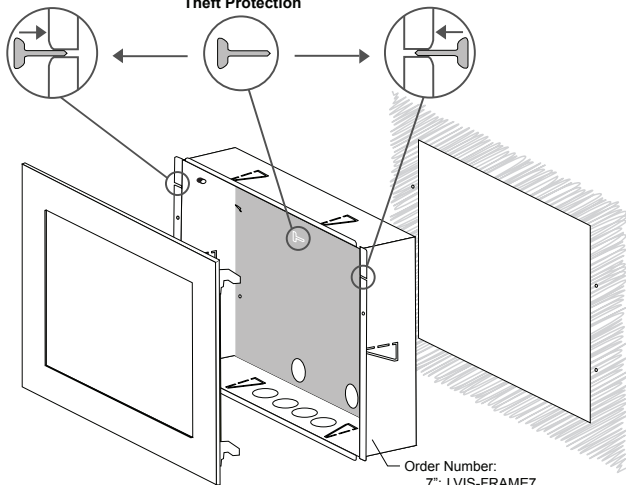
User: admin
Password: loytec4u



Dimensions in mm

DIM	7"	12.1"	15"
J	195	300	355
K	143	250	295
L	206	310	365
M	21	25	47.5
N	62	105	132.5
P	30	50	46.7
Q	70	90	90
R	50	100	100
S	60	100	100

Theft Protection

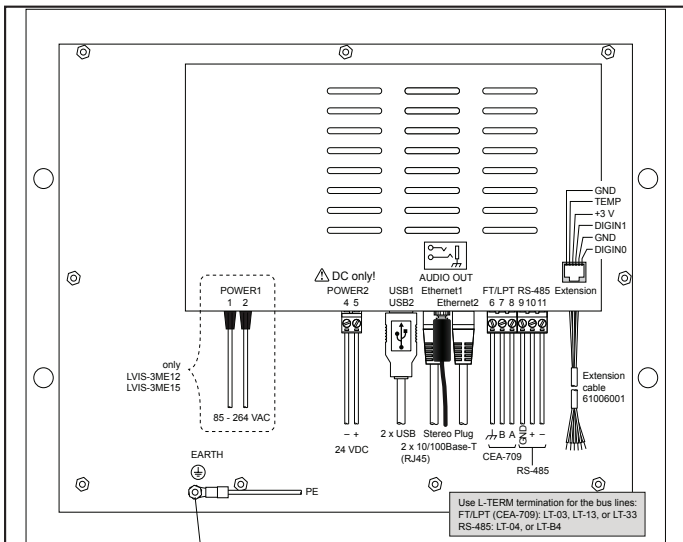


Order Number:

7": LVIS-FRAME7

12.1": LVIS-FRAME12

15": LVIS-FRAME15



⚠ PROTECTIVE EARTH MUST BE CONNECTED!

Connectors

POWER1 85-264 VAC	1 2	only LVIS-3ME12, LVIS-3ME15 Power supply AC input Power supply AC input
POWER2 24 VDC	4 5	Power supply DC input MINUS Power supply DC input PLUS ⚠ do not connect PLUS to GND
CEA-709 TP/FT-10 TP/LPT	6 7 8	Input earth ground Input B Input A
RS-485	9 10 11	RS-485 GND RS-485 PLUS RS-485 MINUS

TRS connector
Stereo 3.5 mm

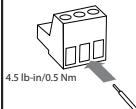


Extension cable
Nr. 61006001

Modular connector
6p6c (RJ12)

black GND
green TEMP
red +3 V
white DIGIN1
blue GND
yellow DIGINO

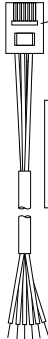
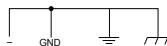
Weidmüller BLZP 5.08/03/180 (3 pin)
BLZP 5.08/02/180 (2 pin)



0,2 - 2,5 mm²



All connected together





Status LEDs

RS-485 MS/TP	BACnet MS/TP enabled: GREEN flashing ORGANE flashing RED permanent with GREEN flashing RED flashing fast	Traffic on BACnet MS/TP (multi master) Traffic on BACnet MS/TP (single master) Token lost, cable might be broken Transceive Errors, bad cabling
RS-485 Modbus	Modbus RTU enabled: GREEN flashing RED flashing	Traffic on Modbus RTU port Device not responding or network error
FT	GREEN flashing fast GREEN flashing at 1 Hz RED permanent RED flashing fast	Traffic on CEA-709 port CEA-709 port not commissioned CEA-709 port is damaged Traffic overload on CEA-709 port
ETH 1, ETH 2	GREEN GREEN flashing	Ethernet link Ethernet traffic
STATUS	GREEN OFF ORANGE flashing	Power on, Normal operation Power off Fall-Back Mode

Buttons

RESET	Reset
STATUS	CEA-709: Send service pin message / BACnet: Send I-Am message

Node ID of CEA-709 Port

Virtual (Node) ID of CEA-852 port (Ethernet)

MAC address of CEA-852 Ethernet port

Serial number of the device

LOYTEC electronics GmbH

NID1 8000000350EF
VID1 8000000350EF
MAC1 000B0011D87
SER# 007902-8000000350EF

LVIS-3ME12
CE FC
MADE IN AUSTRIA
W51/2014

Date Code

Document 88083301
2014-11
Printed in Austria
Data is subject to change

LOYTEC
A Delta Group Company

<http://www.loytec.com>
support@loytec.com