

ISC-GBD2-PS Conventional glass break detector

www.boschsecurity.com



BOSCH
Invented for life



- ▶ Conventional glass break detector
- ▶ VdS class B
- ▶ Can be used for conventional perimeter protection
- ▶ Very compact design
- ▶ With isolation of the operating voltage to the alarm line

The passive glass break detector monitors level glass surfaces within a maximum radius of 2 m.

Functions

Passive glass break detectors are fixed directly onto glass panes in windows and doors. The mechanical vibrations that occur when the glass is damaged are measured and analyzed. Scoring marks made on the glass pane made by a glass cutter are not recognized as glass break.

Certifications and approvals

Region	Regulatory compliance/quality marks	
Germany	VdS	G195543 [ISC-GBD2-PS]
Europe	CE	[ISC-GBD2-PS]

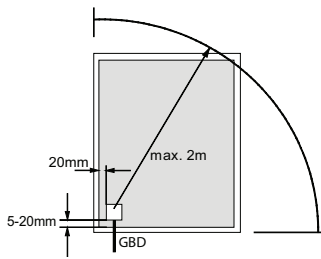
Installation/configuration notes

Functional tests can be conducted using a detector testing device. Alarm triggering is displayed at the control panel and also directly indicated on the detector.

Installation information

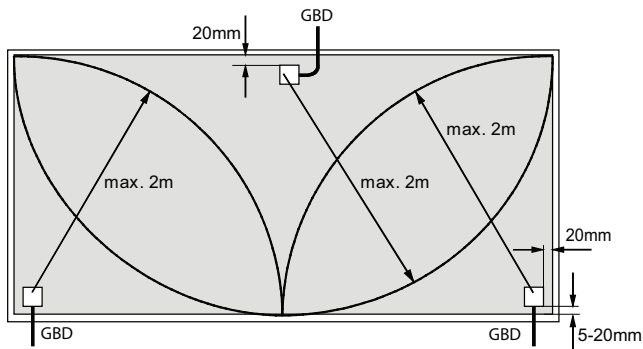
- The passive glass break detector is stuck to level glass panes on premises.
- If several glass break sensors are grouped together in a detector zone, each zone must be limited to 20 glass break sensors.
- The glass break sensor should preferably be installed horizontally, at a minimum distance of 5 mm from the window frame, and at least 20 mm from the long side.
- The side of the glass to which the detector is attached must not have other material attached to it (e.g. anti-splinter foil, transparencies etc.) and must not be painted.
- The panes to be monitored must not be damaged (e.g. cracked) and must be firmly mechanically fixed in frames. Panes that can be easily removed from the outside should be additionally monitored against removal.
- Panes of glass in premises in which air containing chlorine or other aggressive substances is present (e.g. swimming pools) are not suitable for installation of this product.
- The detector cannot be used for the following types of panes: Pyrostop glass (fire-retardant), structured glass, panes made of plastic material, glass bricks, laminated glass, armored glass

Installation of a glass break detector on a pane



Installation distance from frames: 20 mm

Installation of multiple glass break detectors on one pane



Installation distance from frames: 20 mm

Parts included

Quantity	Component
1	Passive glass break detector

Technical specifications

Electrical

Supply voltage in V (line supply)	9 - 16
Line voltage in V	3 - 15
Maximum standby current consumption at 12V in mA	2.5

Protection type	reverse polarity
Alarm memory	reset by interrupting the operating voltage for $\geq 0.5s$

Mechanical

Dimension in cm (H x W x D)	1.8 x 1.8 x 1
Mounting	affix with Loctite glass/metal glue set 319
Detection zone radius in m	2
Housing color	White
Cable type	LiYY 6 x 0.14 mm ²
Cable length in m	6
Functional test	with glass break detector test device GP 2
Alarm display type	LED

Environmental

Minimum operating temperature in °C	-25
Maximum operating temperature in °C	70
Environmental class	VdS: III
VdS no.	G 195543
Protection class	65

Ordering information

ISC-GBD2-PS Conventional glass break detector

For monitoring level glass surfaces within a maximum radius of 2 m

Order number **ISC-GBD2-PS**

Accessories

2799270237 GLAS/METL GLUESETGB95/96

For sticking glass break detectors to level glass plates
Order number **2799270237**

Represented by:

Europe, Middle East, Africa:
Bosch Security Systems B.V.
P.O. Box 80002
5600 JB Eindhoven, The Netherlands
Phone: + 31 40 2577 284
emea.securitysystems@bosch.com
emea.boschsecurity.com

Germany:
Bosch Sicherheitssysteme GmbH
Robert-Bosch-Ring 5
85630 Grasbrunn
Germany
www.boschsecurity.com

North America:
Bosch Security Systems, Inc.
130 Perinton Parkway
Fairport, New York, 14450, USA
Phone: +1 800 289 0096
Fax: +1 585 223 9180
onlinehelp@us.bosch.com
www.boschsecurity.us

Asia-Pacific:
Robert Bosch (SEA) Pte Ltd, Security Systems
11 Bishan Street 21
Singapore 573943
Phone: +65 6571 2808
Fax: +65 6571 2699
apr.securitysystems@bosch.com
www.boschsecurity.asia