

RECORDING TIME

16 channel model (NR-16M62, NR-16M65) / @2TB HDD

Resolution	Image Quality	Recording Time (One Channel)					
		30/25fps	15/12fps	7/6fps	3/3fps	2/2fps	1/1fps
5MP	HIGHEST	-	838	1,111	1,243	1,348	1,473
	HIGH	-	956	1,267	1,418	1,538	1,680
	STANDARD	-	1,112	1,473	1,649	1,789	1,954
	LOW	-	1,329	1,761	1,942	2,083	2,246
3M/1080p	HIGHEST	781	1,041	1,240	1,594	1,661	1,735
	HIGH	890	1,187	1,413	1,817	1,894	1,978
	STANDARD	1,035	1,380	1,642	2,112	2,201	2,299
	LOW	1,236	1,648	1,962	2,473	2,546	2,624
720p	HIGHEST	781	1,041	1,240	1,594	1,661	1,735
	HIGH	890	1,187	1,413	1,817	1,894	1,978
	STANDARD	1,035	1,380	1,642	2,112	2,201	2,299
	LOW	1,236	1,648	1,962	2,473	2,546	2,624

4/8 channel model (NR-4/8M62, NR-8M65) / @2TB HDD

Resolution	Image Quality	Recording Time (One Channel)					
		30/25fps	15/12fps	7/6fps	3/3fps	2/2fps	1/1fps
5MP	HIGHEST	-	603	718	923	962	1,005
	HIGH	-	732	871	1,120	1,168	1,220
	STANDARD	-	931	1,106	1,425	1,486	1,552
	LOW	-	1,280	1,524	1,929	1,991	2,058
3M/1080p	HIGHEST	452	603	718	923	962	1,005
	HIGH	549	732	871	1,120	1,168	1,220
	STANDARD	698	931	1,106	1,425	1,486	1,552
	LOW	960	1,280	1,524	1,929	1,991	2,058
720p	HIGHEST	781	1,041	1,240	1,594	1,661	1,735
	HIGH	890	1,187	1,413	1,817	1,894	1,978
	STANDARD	1,035	1,380	1,642	2,112	2,201	2,299
	LOW	1,236	1,648	1,962	2,473	2,546	2,624

*This calculation is approximately

OPTIONS

ACCESSORY

Model Number	NR-RM1	NR-RM2	NR4PoE	NR16PoE-2
Product Type	Rack Mount Ear for M62 Series	Rack Mount Ear for M65 Series	4ch External PoE Hub	8ch External PoE Hub
				
Dimensions	W114 x H46 x D79 mm	W26.2 x H84.8 x D61 mm	W200 x H38 x D131 mm	W305 x H38 x D142 mm
Weight	330 g	123 g	620 g	940 g



*Exact products and specifications shown may vary by geographic and subject to change without notice. Actual products may differ from the images appearing in the specification sheet.

CBC Co.,Ltd.
TOKYO Head Office Image and Information Technology Division
Ganz Global Brand Center

<http://www.ganz-global.com/>

UPDATE: Jan, 2016

GANZ® SPECIFICATIONS

Network Video Recorder "PixelMASTER" 5 Megapixel Series



PIXEL MASTER

Plug and Play with **GANZ PixelPro**
IP Cameras with no configuration required

Features:

- 5MP @ 15 fps / 3MP, 1080p Real time Recording
- Up to 480 fps (16ch) / 240 fps (8ch) / 120 fps (4ch)
- Efficient H.264 compression
- Built-in PoE switching HUB
- Automatic router port forwarding
- Remote F/W upgrade
- Full HD GUI
- Monitoring for fan failure and temperature
- HDD failure notification (S.M.A.R.T)
- Remote viewer : PC & web based remote agent, smartphone application

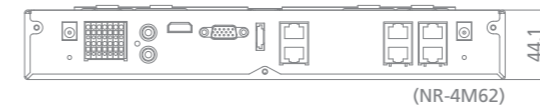
CBC Co.,Ltd.
Ganz Global Brand Center

SPECIFICATION

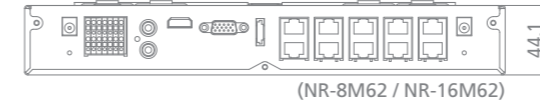
Model Name	NR-4M62	NR-8M62	NR-16M62 (8ch PoE not included)	NR-8M65	NR-16M65 (8ch PoE included)	
Channels	4ch	8ch	16ch (IPX 8ch + HUB 8)	8ch	16ch (IPX 8ch + HUB 8)	
Monitoring	Display Rate	HD1080p 120fps/100fps(Realtime)	HD1080p 120fps/100fps or 640x360 240fps/200fps	HD1080p 240fps/200fps (Realtime)	HD1080p 480fps/400fps (Realtime)	
	Display Resolution	1080p / 720p / SXGA				
Record	Display Mode	1,4	1,4,6,8,9	1,4,8,9,16	1,4,6,8,9	
	Video Compression	H.264 (BP, MP, HP)				
	Audio Compression	G.711				
	Recording Resolution	5MP, 3MP, HD 1080p or HD720p, 640x360 (Depend on IP Camera)				
	Recording Rate	5MP@15fps / 3MP, 1080p Real time Recording				
	Schedule Method	Daily / Weekly Each Hour				
	Post-Event Recording	5/10/15/20/30/60/120/180 Sec				
	Pre-Event Recording	0/1/2/3/4/5/10/15 Sec				
	Panic Recording	Yes				
	Event Logging	Yes (Motion, Alarm, Panic, Vloss)				
Search & Playback	System Logging	Yes (System On/Off, Time Changed, Hdd/Email Operations, Sysyem Operations)				
	Setup Logging	Yes (Setup Changed)				
	Remote Logging	Yes (Who, IP Address, Remote Operations)				
	Display Mode	1/4	1,4,9	1,4,9,16	1,4,9	1,4,9,16
	Playback Rate	Up to 120fps	Up to 240fps	Up to 480fps	Up to 240fps	Up to 480fps
	Playback Speed	X1, x2, x4, x8, x16, x32, x64				
	Archiving Devices	USB Memory, FTP				
	Remote Archiving	YES (WEB RA, VMS, FTP)				
	Backup Data Format	AVI, RAW				
	Max. Connections	10 Users	10 Users	10 Users	10 Users	10 Users
Network	Transmission Rate	MAX 120 fps (Depend on IP Camera)	MAX 240 fps (Depend on IP Camera)	MAX 480 fps (Depend on IP Camera)	MAX 240 fps (Depend on IP Camera)	MAX 480 fps (Depend on IP Camera)
	Smart Phone Application	YES (iOS, Android)		YES (iPhone, iPad, Android)		
	Web Based Remote Agent	Yes(Windows, Linux, Mac Os/X, Etc)			Yes (Windows [®])	
	Protocols	WS-Discovery, RTP, RTSP, RTCP,S MTP, NTP, HTTP, FTP, DDNS, DHCP, uPNP (Router Port Forwarding), HTTPS, SSL				
System	Operating System	LINUX [®]				
	Network Time Sync	Yes				
	DST	Yes				
	F/W Upgrade	Yes (USB / Network)				
Interface Device	Setup Import/Export	Yes				
	Front Key Panel	No				
IR Remote Controller	Yes					
Language	Multi-Language (English, Korean, Japanese, Russian, Italian, French, German, Polish, Thai, Chinese, Dutch, Czech)					
Video	Input Signal	4 x IP Camera (Max 5M Pixel)	8 x IP Camera (Max 5M Pixel)	16 x IP Camera (Max 5M Pixel)	8 x IP Camera (Max 5M Pixel)	16 x IP Camera (Max 5M Pixel)
	Main Monitor	VGA or HD Display				
	Main Monitor Resolution	1080p / 720p / SXGA				
Audio	Motion Detection	Yes (From IP Camera)				
	Input Signal	4ch (From IP Camera)	8ch (From IP Camera)	16ch (From IP Camera)	8ch (From IP Camera)	16ch (From IP Camera)
	Output Signal	1ch				
	Microphone	1ch				
Recording	Codec	G.711				
	Codec	H.264(BP,MP,HP)				
	Rec. Rate	Max. 15fps@5MP/ch(Depend on IP Camera)				
Alarm I/O	Rec. Resolution	5MP, 3MP, HD 1080p or HD720p, 640x360 (Depend on IP Camera)				
	Alarm Input	4ch (IP) + 2ch (Internal) (Depend on IP Camera)		8ch (IP) + 2ch (Internal) (Depend on IP Camera)		16ch (IP) + 2ch (Internal) (Depend on IP Camera)
	Alarm Out	4ch (IP) + 1Relay (Internal) (Depend on IP Camera)		8ch (IP) + 1Relay (Internal) (Depend on IP Camera)		16ch (IP) + 1Relay (Internal) (Depend on IP Camera)
Storage	Internal HDD	2 (SATA)		5		
	External Storage	Yes (eSATA, NAS(for Backup))				
	Internal ODD	-				
Interfaces	USB	2 ports		3ports		
	RS-485	1	1	1	1	1
	RS-232	1	1	1	1	1
	LAN	4 (IP Camera, PoE) + 1 (LAN) + 1 (WAN)	8 (IP Camera, PoE) + 1 (LAN) + 1 (WAN)	8 (IP Camera, PoE(802.3at)) + 1 (LAN) + 1 (WAN)		
Hub	Remote Control	Yes				
	Network	-		2GE + 8FE (PoE)	-	2GE + 8FE (PoE)
	Total PoE Power	-		72W	-	72W
Etc	Adaptor	-		48V, 96W	-	48V, 96W
	Watchdog	Yes				
Power	Cooling Fan	1ea				
	Power Supply	12V adaptor + 48V adaptor		SMPS 12V 100W + SMPS 52V 100W		
Environment	Power Consumption	6W (12V, w/o HDD), 3W (48V, w/o camera)	6W (12V, w/o HDD), 5W (48V, w/o camera)	15W max. without HDD		
	Temperature	0°C ~ 40°C (32°F~104°F)				
Chassis	Humidity	10 ~ 90% NC				
	Dimension	1U (305 x 298 x 44)		2U (430 x 367 x 88.4)		
Certification	FCC, CE, C-Tick		UL, cUL, FCC, CE, KC, C-tick			

DIMENSIONS

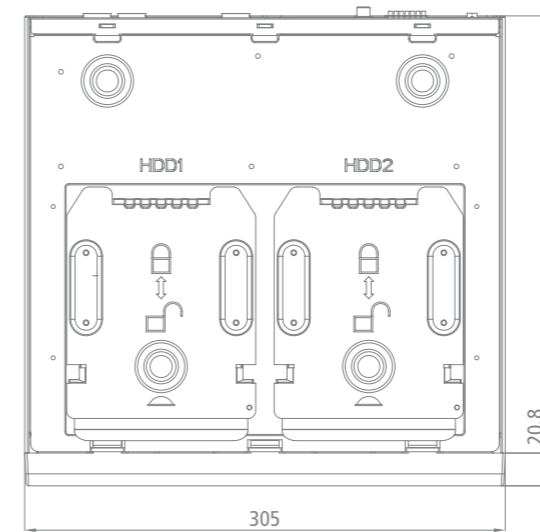
NR-4M62 / NR-8M62 / NR-16M62



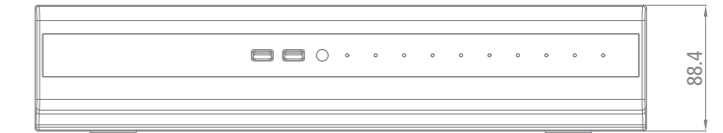
(NR-4M62)



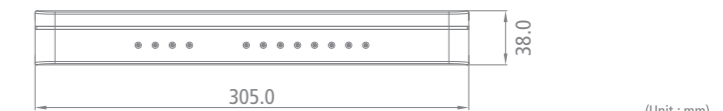
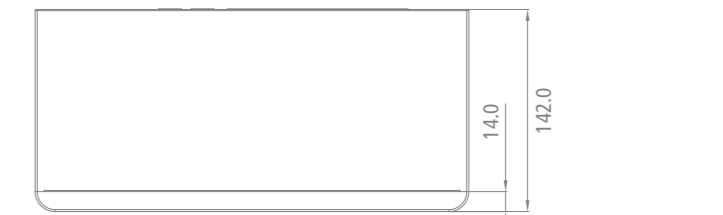
(NR-8M62 / NR-16M62)



NR-8M65 / NR-16M65



The NR-16M65 features an external 8-channel Extension PoE hub



(Unit : mm)

BACK PANEL



NR-4M62



NR-8M62 / NR16M62



NR-8M65 / NR-16M65



The NR-16M65 features an external 8-channel Extension PoE hub