

2-Relay 2-Input Module BUS-2, s.m.

2-Relay 2-Input Module BUS-2, s.m.

- 2 relay outputs, each with 1x changeover contact
- 2 detector group inputs



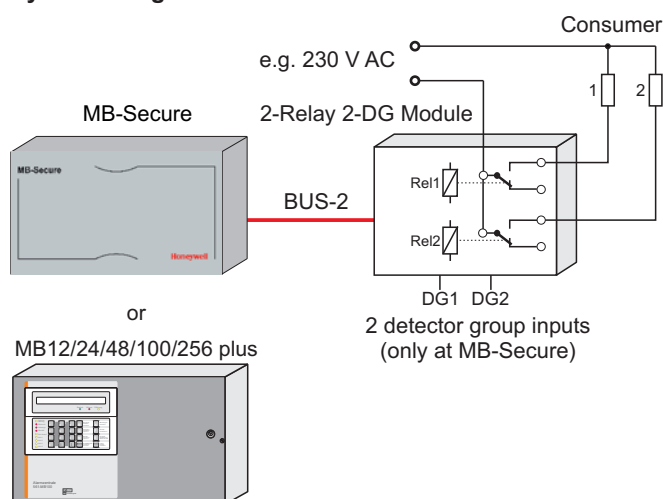
2-Relay 2-Input Module BUS-2, s.m.

The 2-Relay 2-Input Module BUS-2 is intended for extension of a MB-Secure- or MB12/24/48/100/256 plus series intruder panel with control and power supply over BUS-2.

When operated at the MB-Secure panel two relays and two free programmable detector group inputs are available.

Also there is a compatibility mode provided for operation at MB12/24/48/100/256 panels as 5-output-module BUS-2. In this case the first two outputs control the relays, the inputs are not supported in compatibility mode.

System design:



Features

- **Operation at BUS-2**
- **2 Relay outputs**
each with one potential-free changeover contact
- **Wide switching capacity range**
5 V DC / 10 mA to 250 V AC / 8 A
- **Cover contact and Tear-off protection**
- **Operation at MB-Secure control panel**
 - 2 Detector group inputs, freely programmable
 - EOL-resistor programmable from 4k to 14k (depending on monitoring area)
 - Monitoring area programmable ($\pm 20\%$ / $\pm 30\%$ / $\pm 40\%$)
 - Firmware update via BUS-2

Operation at MB12/24/48/100/256 plus control panel

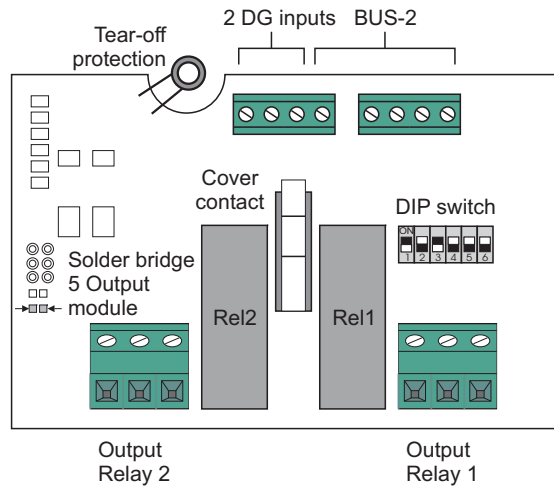
- Operation as 5 Output Module (compatibility mode, only relais function)

Certifications:

VdS -approval G114022 (Class C, IDS)

EN 50131-3 grade 3, Class II
SES-EMA-RL-T2:2010-08

Interior view



Technical Data

Rated operating voltage	12 V DC
Operating voltage range	9 V to 15 V DC
Current consumption at $U_b=12$ V DC:	
- Detector groups open	≤ 4.0 mA
- Detector groups terminated with 12k1	≤ 0.4 mA in addition per detector group
2 Relay outputs:	
- Current consumption at $U_b=12$ V DC	≤ 20 mA per relay
- Relay contacts	Changeover contact, potential free
- Switching capacity	max. 8 A at 250 V AC (2000 VA) / 5 A at 30 V DC (150 W) min. 5 V DC / 10 mA
2 Detector group inputs:	
- Voltage	3.3 V DC, stabilized, short-circuit protected
- Monitoring range	12k1 $\pm 40\%$ (standard setting) 4k to 14k, $\pm 20\%$ / $\pm 30\%$ / $\pm 40\%$ (programmable)
Protection class as per EN 60529	IP40
Environmental class as per VdS	II
Operating temperature range	-10 °C to +55 °C
Storage temperature range	-25 °C to +70 °C
Dimensions:	85 x 109 x 30 mm
Colour	traffic white (similar to RAL 9016)

Ordering informations



041220

Item no.	Description
041220	2-Relay 2-Input Module BUS-2, s.m. VdS -Approval G114022 EN 50131-3 grade 3, Class II SES-EMA-RL-T2:2010-08

Honeywell Security Group

Novar GmbH
 Johannes-Mauthe-Str. 14 · 72458 Albstadt
 Tel. +49(0) 74 31/801-0 · Fax 801-12 20
 www.honeywell.com/security/de
 info.security.de@honeywell.com

P00190-22-0G0-01
 07.2016 · Subject to change without notice.
 © 2016 Honeywell International Inc.

