

Features

- ✧ Normally closed input, normally open input can be set through a hand held programmer.
- ✧ Electronically addressing. Addresses can be modified in field.
- ✧ Built-in microprocessor processes messages intelligently.
- ✧ Input terminals apply AD sampling with precise testing.
- ✧ DIN-Rail mounted or Wall mounted.
- ✧ Standard: EN 54-18:2005

Description

DI-9300E Digital Single Input Module (the module) is used for receiving normally open or normally closed switch signal from fire suppression devices, and transmits these messages to fire alarm control panel (FACP). When a device of this kind is activated, the module can send the output signal through signal loop to FACP to alarm or activate relative devices.

Connection and Cabling

Terminals of the module are shown in Fig. 1.

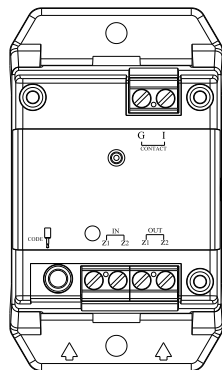
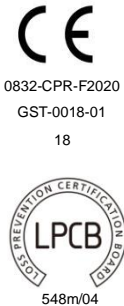


Fig. 1

- ✧ (Z1, Z2) IN & OUT: Connecting with the loop of FACP, polarity-insensitive.
- ✧ I, G: Connect with normally-open contact of an input devices that closes when the device is in alarm or changes state. It may also be set to normally-closed checking input by a hand-held programmer.
- ✧ CODE: Connect with the programmer.

Recommended Wiring: minimum 1.0mm². Subject to local codes.



Installation

Warning: Before installing the module, disconnect power from the loop and verify that the guide rail is securely installed.

- (1) Before installation, make sure the enclosure is in good condition and markings are complete.
- (2) The module can be mounted on a 35mm DIN-Rail as shown in Fig. 2.
- (3) The module can also be wall mounted by 4 mounting screws as shown in Fig. 3. Minimum mounting space is 67 mm.

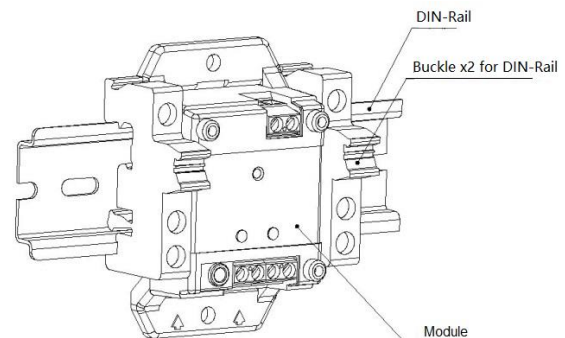


Fig. 2

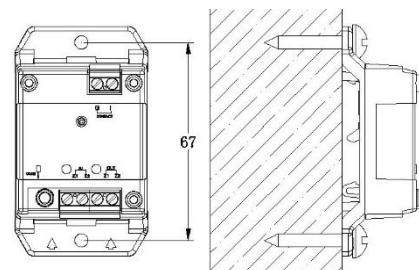


Fig. 3

Application

The module may be used to monitor status of fire suppression devices, such as water flow indicator, pressure switch, position switch, signal valve, and devices that can feedback the ON/OFF signal.

Parameters can be programmed through P-9910B programmer.

Programming Parameters:

In standby state of the programmer, Inputting “456” and then pressing “Clear” can unlock the programmer, press *Fn* and then number “3”, “—” will be popped up on the screen to indicate it is in programming mode. Write a parameter and then press “Program”, a “P” will show on the screen meaning the parameter is programmed.

Parameters used for setting includes:

1	normally-closed
others(default)	normally-open

The relationship between the I/G port resistance and the product state is shown in the following table:

Detection mode	I/G port resistance	Product state
Normally-open	< 1 kΩ	Active
	> 11.7kΩ	Fault
	other	Normal
Normally-closed	< 1 kΩ	Active
	> 11.7kΩ	Fault
	other	Normal

✧ Connection of the module to field devices with normally open dry contact is shown in Fig. 3.

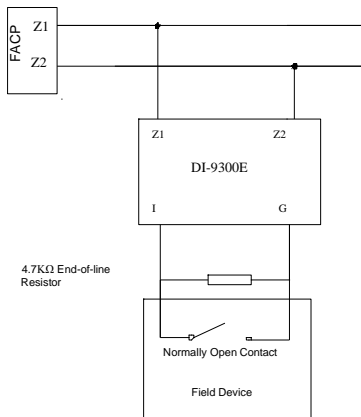


Fig. 3

Connection of the module to field devices with normally closed dry contact is shown in Fig.4.

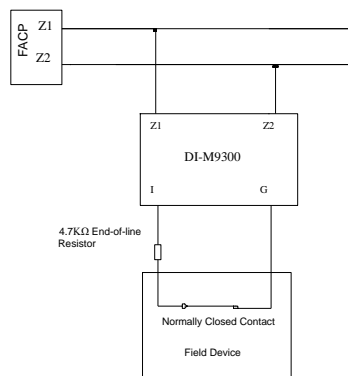


Fig. 4

Specification

Operating Voltage	Loop 24VDC (16V - 28V)
Standby Current	≤ 0.26mA
Action Current	≤ 0.5mA
Programming	Electronically addressing
Address Range	Occupy one address from 1 to 242.
LED	ACTIVE LED: Red. It lights on activation, quiet in loop power down, and flashes in other states. FAULT LED: Yellow. It lights 0.5s on and 0.5s off as there is input fault. It turns off in other states.
Ingress Protection Rating	IP30
Operating Temperature	-10° C - +55°C
Relative Humidity	≤ 95%, non-condensing
Compatible DIN-Rail	35mm DIN-Rails
Materials of the Enclosure	ABS, white (RAL9016)
Dimension (LxWxH)	78mmx45.3mmx28.5mm
Weight	About 36.8g

Accessories and Tools

Model	Name	Remark
P-9910B	Hand Held Programmer	Supplied separately
RT-0.25W-4.7kΩ ±5%-25mm	End of Line Resistor	Provided

Limited Warranty

GST warrants that the product will be free from defects in design, materials and workmanship during the warranty period. This warranty shall not apply to any product that is found to have been improperly installed or used in any way not in accordance with the instructions supplied with the product. Anybody, including the agents, distributors or employees, is not in the position to amend the contents of this warranty. Please contact your local distributor for products not covered by this warranty.

Product warnings and disclaimers

THESE PRODUCTS ARE INTENDED FOR SALE TO, AND INSTALLATION BY, AN EXPERIENCED SECURITY PROFESSIONAL. UTC FIRE & SECURITY CANNOT PROVIDE ANY ASSURANCE THAT ANY PERSON OR ENTITY BUYING ITS PRODUCTS, INCLUDING ANY “AUTHORIZED DEALER”, IS PROPERLY TRAINED OR

EXPERIENCED TO CORRECTLY INSTALL
SECURITY RELATED PRODUCTS.

For more information on warranty disclaimers and
product safety information, please check
<https://firesecurityproducts.com/policy/product-warning/>
or scan the following code:



This Data Sheet is subject to change without notice. Please contact GST for more information or questions.

Gulf Security Technology Co., Ltd.

No. 80, Changjiang East Road, QETDZ, Qinhuangdao, Hebei, P. R. China 066004

Tel: +86 (0) 335 8502434 Fax: +86 (0) 335 8502532

service.gst@fs.utc.com www.gst.com.cn