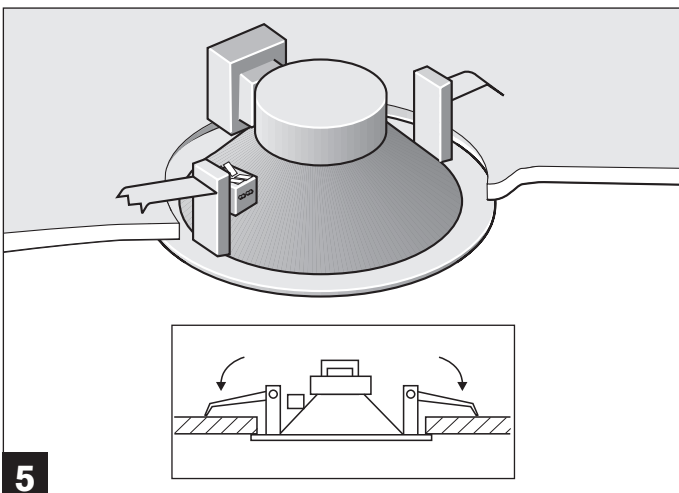
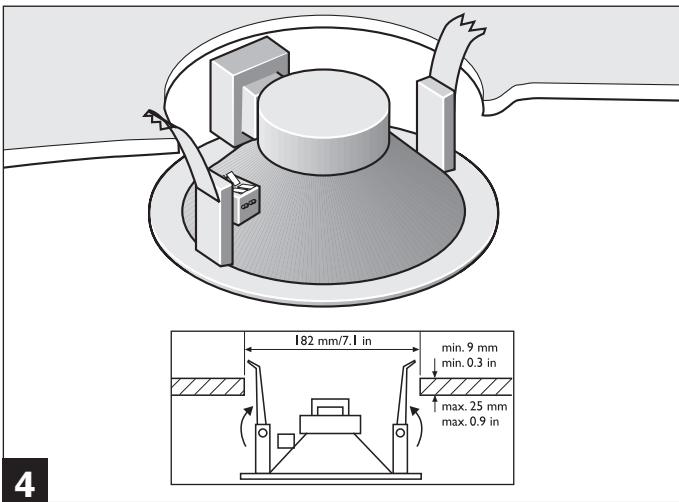
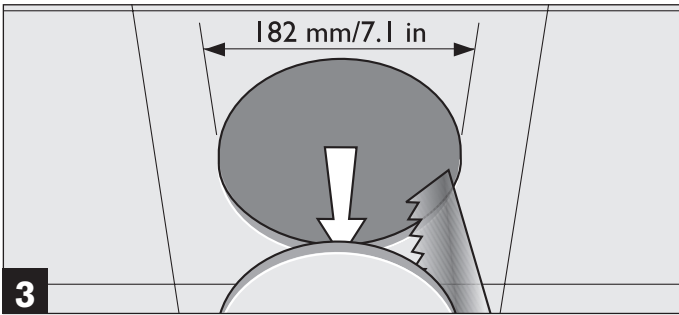
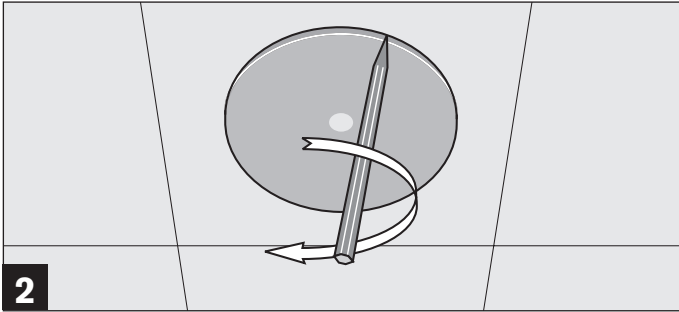
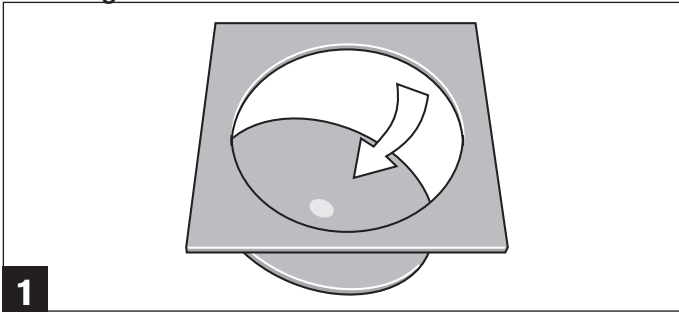
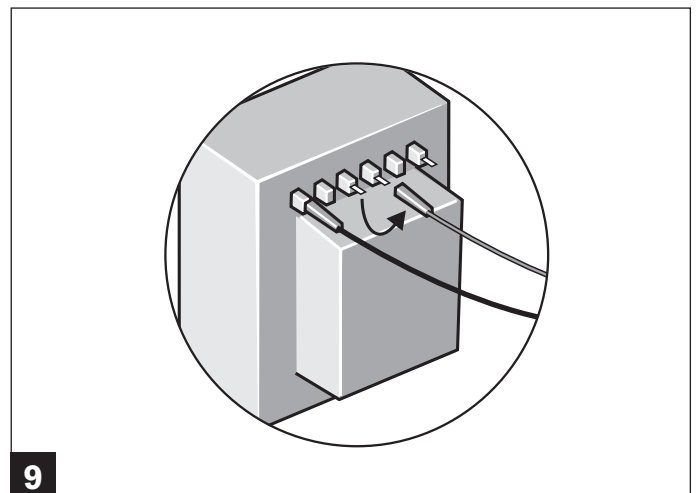
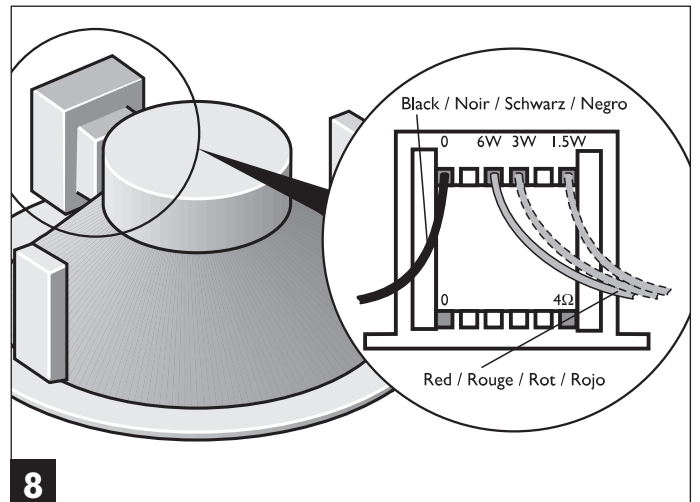
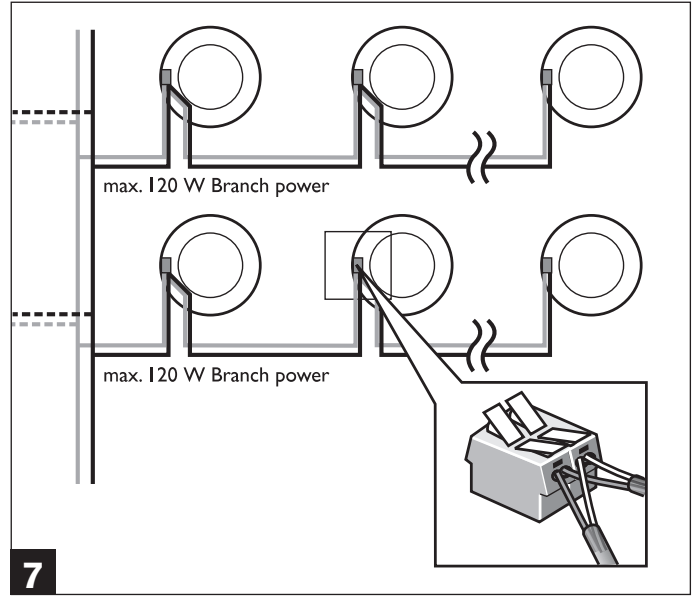
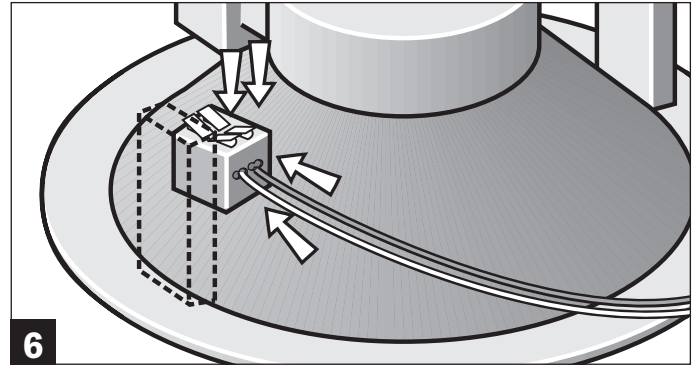
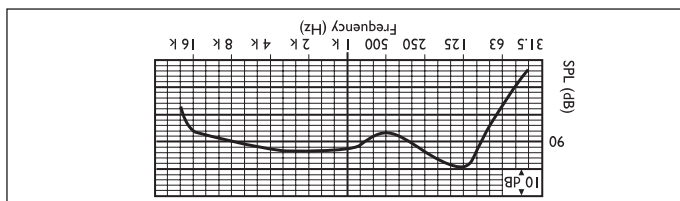


## Mounting

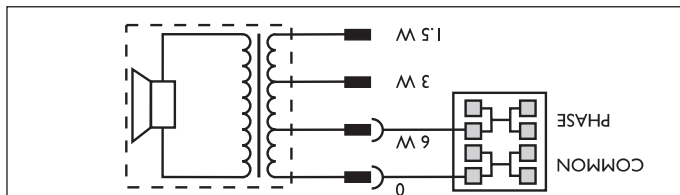


## Connection



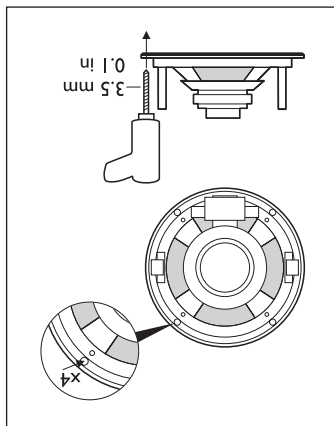
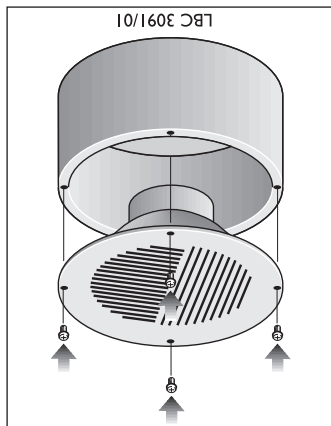


Circuit diagram

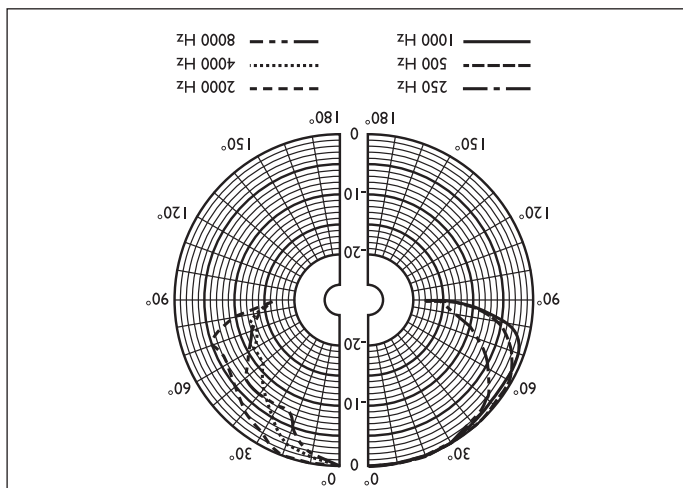


Max. power (PHC)  
6 W (6 - 3 - 1.5 W)  
9 W  
Rated power (PHC)  
at 1 kHz, 1 m  
Sound pressure level at 6 W/1 W  
Effective frequency range (-10 dB)  
70 Hz to 18 kHz  
Opening angle (at 1 kHz/4 kHz, -6 dB)  
Rated voltage  
100 V  
Rated impedance  
167 Ω  
Ambient temperature range  
-15 to +50 °C (5 to 122 °F)  
Safety  
Connection  
2-pole push connector  
acc. to EN 60065  
Dimensions (dia. x max. depth)  
210 x 88 mm (8.3 x 3.5 in)  
Mounting cut-out dia.  
182.5 mm (7.2 in)  
White (RAL 9010)  
Colour  
1.1 kg (2.4 lb)  
Weight  
Dimensions (dia. x max. depth)  
210 x 93 mm (8.3 x 3.6 in)  
White (RAL 9010)  
Colour  
290 g (0.6 lb)  
Weight  
Dimensions (dia. x max. depth)  
147 x 87 mm (5.8 x 3.4 in)  
White (RAL 9010)  
Colour  
360 g (0.8 lb)  
Weight

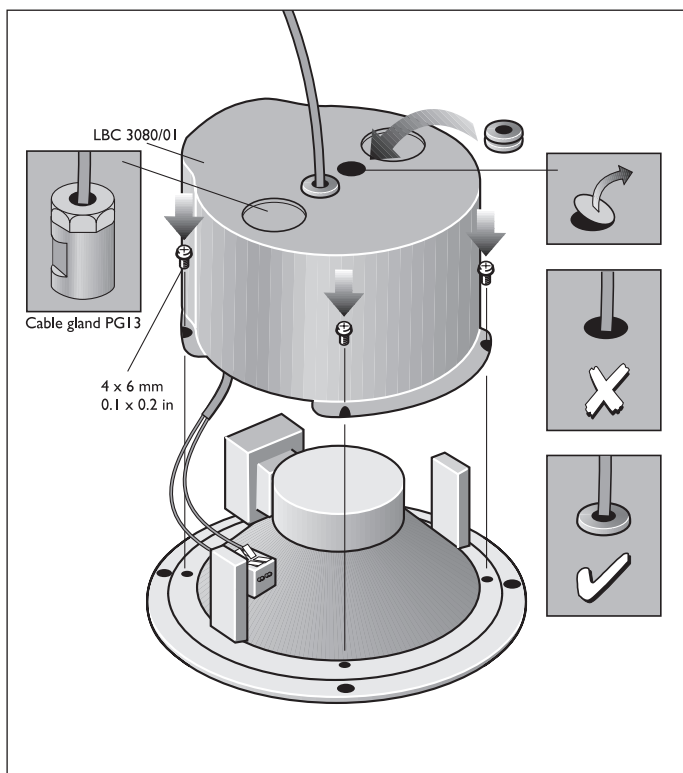
TECHNICAL PERFORMANCE DATA ACC. TO IEC 268-5



Polar diagram



LBC 3090/01



Loudspeakers



Instructions for use  
LBC 3090/01  
EN LBC 3091/01