



I-9300S

Addressable Input Interface

Description

I-9300S Addressable Input interface is designed to monitor conditions of detectors or security devices which are able to provide dry contact output. When a monitored device is activated, the interface can send the action status to FACP through signal loop to alarm or activate relative devices through FACP.

Features and Benefits

- Small size, suitable to be installed in back box.
- Input line monitored for open circuit or short circuit.
- The address and working mode can be modified in field through the programmer.
- Built-in microprocessor processes messages intelligently

Terminals and Installation Holes

The interface unit has 4 wires.

Z1 (Blue), Z2 (White): Loop, connecting with the FACP, non-polarized.

I (Brown), G (Brown): Input port, connecting with normally open or normally closed contact of monitored device, non-polarized.

Recommended Cable:

1.0mm² or above Fire-resistant cable for Z1 and Z2

1.5mm² or above Fire-resistant cable for I and G

All cables should be subject to local codes.

Application

The interface is small-sized, simply installed into the back box of connected device without fastening.

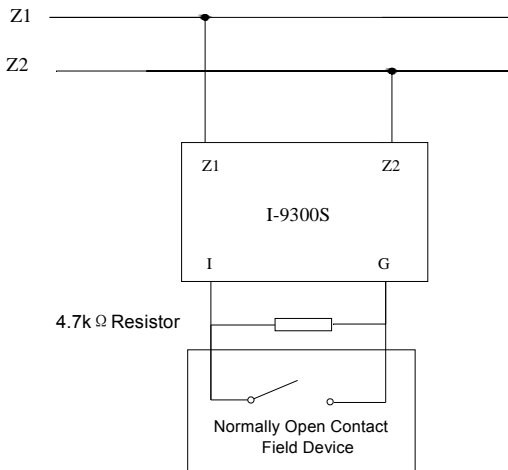
Address and working mode can be set through P-9910B handheld programmer. Factory defaults at normally-open.

Working mode:

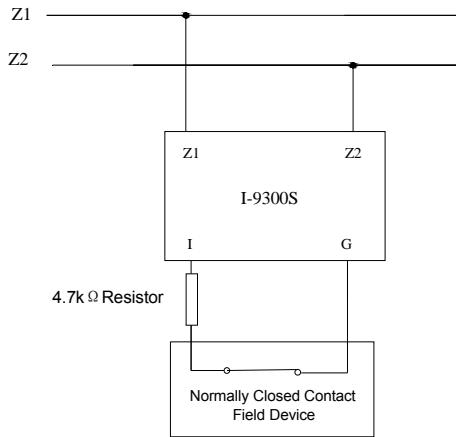
Code	Type of Input
4	Normally-open
7	Normally-closed

Typical Connection

Normally-open input:



Normally-closed input:



Technical Specification

Operating Voltage	24VDC
Average Current	≤1.5mA
End of Line Resistor	4.7kΩ/0.5Watt
Programming	Electronically programmed, 1-242
IP Class	IP30
Operating Temperature	-20°C ~ +55°C
Relative Humidity	≤95%, non condensing
Material of Enclosure	ABS
Dimension	50mm x 44mm x 17mm

Ordering Information and Compatible Products

Part No.	I-9300S
Device Name	Addressable Input Interface
Order Code	1214522
Compatible Panels	GST200 Intelligent Fire Panel GST200-2 Intelligent Fire Panel GST200N Intelligent Fire Panel GST-IFP8 Intelligent Fire Panel

Accessories and Tools



Part No.: P-9910B
Device name: Handhold Programmer
Order Code: 1274894