

Features

- ✧ Isolation of short circuit, automatic restore when short circuit is cleared.
- ✧ Maximum output current is 1A.
- ✧ DIN-Rail mounted or Wall mounted.
- ✧ Standard: EN 54-17:2005

Description

In fire alarm system, such condition often occurs that partial short circuit of loop affects the whole system. DC-9503E Loop Isolator (hereinafter referred to as the isolator) can isolate the shorted circuit from the whole system to ensure normal operation of other devices and help locate the devices in fault. After the short circuit fault is cleared, those devices will be re-introduced into the system.

The isolator is suitable for use in the loop of addressable fire alarm system.

Connection & Cabling

Terminals of the isolator are shown in Fig. 1.

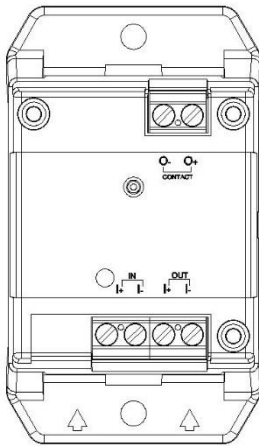


Fig.1

(I+, I-) IN & OUT: input signal loop, I+ is positive and I- is negative.

O+, O-: output signal loop, O+ is positive and O- is negative.

Recommended Wiring: 1.0mm² or above twisted pair. Wires should not be laid out in the same conduit or raceway with Class 1 wires such as power cables, high and low voltage distribution cables and so on.



0832-CPR-F2019

GST-0017-01

18



Installation

- 1) Before installation, make sure the enclosure is in good condition and markings are complete.
- 2) The isolator can be mounted on a 35mm DIN-Rail as shown on Fig. 2.
- 3) The isolator can also be wall mounted by 4 mounting screws as shown in Fig. 3. Mounting space is 67mm.

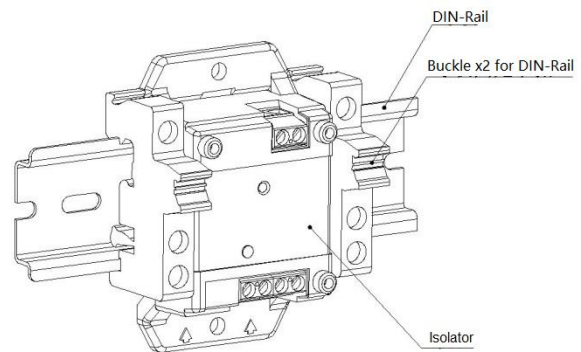


Fig. 2

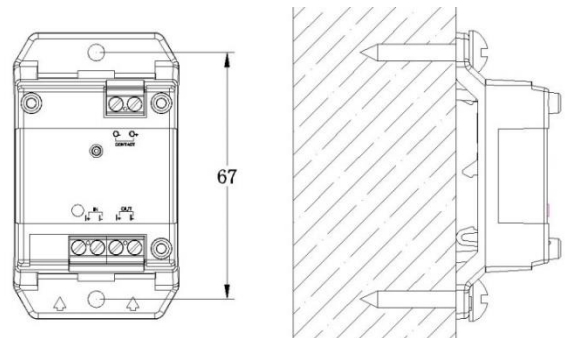


Fig. 3

Application

System connection is shown in Fig. 4. Note: Terminals of the isolator have polarities.

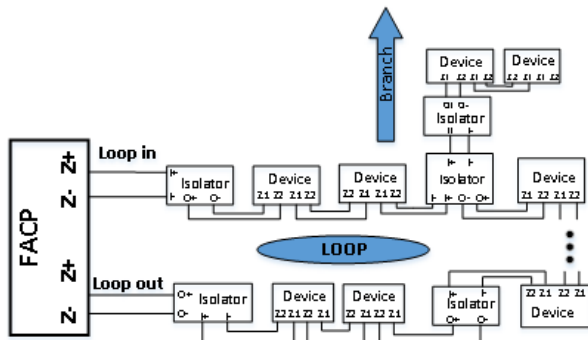


Fig. 4

Specification

Operating Voltage	Loop: 24VDC (16V - 28V) Power Limited
Standby Current	≤ 0.15mA
Action Current	≤ 1.5mA
Capacity	Maximum 70 devices
Indicator	Yellow, flashes in standby state, steady in fault.
Wiring	Two wire
Maximum Line Voltage (V_{MAX})	28V
Minimum Line Voltage (V_{MIN})	16V
Maximum Continuous Current ($I_{C MAX}$)	1A
Maximum Transient Output Current ($I_{S MAX}$)	5A
Maximum Open Voltage ($V_{SO MAX}$)	11V
Minimum Open Voltage ($V_{SO MIN}$)	8V
Maximum Close Voltage ($V_{SC MAX}$)	4V
Minimum Close Current ($V_{SC MIN}$)	1.4V
Maximum Leakage Current ($I_{L MAX}$)	7.5mA
Max closed impedance ($Z_{C MAX}$)	0.15Ω
Operating Temperature	-10°C - +55°C
Relative Humidity	≤ 95%, non-condensing
Ingress Protection Rating	IP30

Material and Color of Enclosure	ABS, white (RAL9016)
Compatible DIN-Rail	35mm DIN-Rails
Dimension (LxWxH)	78mmx45.3mmx28.5mm
Weight	About 41.4g

Limited Warranty

GST warrants that the product will be free from defects in design, materials and workmanship during the warranty period. This warranty shall not apply to any product that is found to have been improperly installed or used in any way not in accordance with the instructions supplied with the product. Anybody, including the agents, distributors or employees, is not in the position to amend the contents of this warranty. Please contact your local distributor for products not covered by this warranty.

Product warnings and disclaimers

THESE PRODUCTS ARE INTENDED FOR SALE TO, AND INSTALLATION BY, AN EXPERIENCED SECURITY PROFESSIONAL. UTC FIRE & SECURITY CANNOT PROVIDE ANY ASSURANCE THAT ANY PERSON OR ENTITY BUYING ITS PRODUCTS, INCLUDING ANY "AUTHORIZED DEALER", IS PROPERLY TRAINED OR EXPERIENCED TO CORRECTLY INSTALL SECURITY RELATED PRODUCTS.

For more information on warranty disclaimers and product safety information, please check <https://firesecurityproducts.com/policy/product-warning/> or scan the following code:



This Data Sheet is subject to change without notice. Please contact GST for more information or questions.

Gulf Security Technology Co., Ltd.

No. 80, Changjiang East Road, QETDZ, Qinhuangdao, Hebei, P. R. China 066004

Tel: +86 (0) 335 8502434 Fax: +86 (0) 335 8502532

service.gst@fs.utc.com www.gst.com.cn