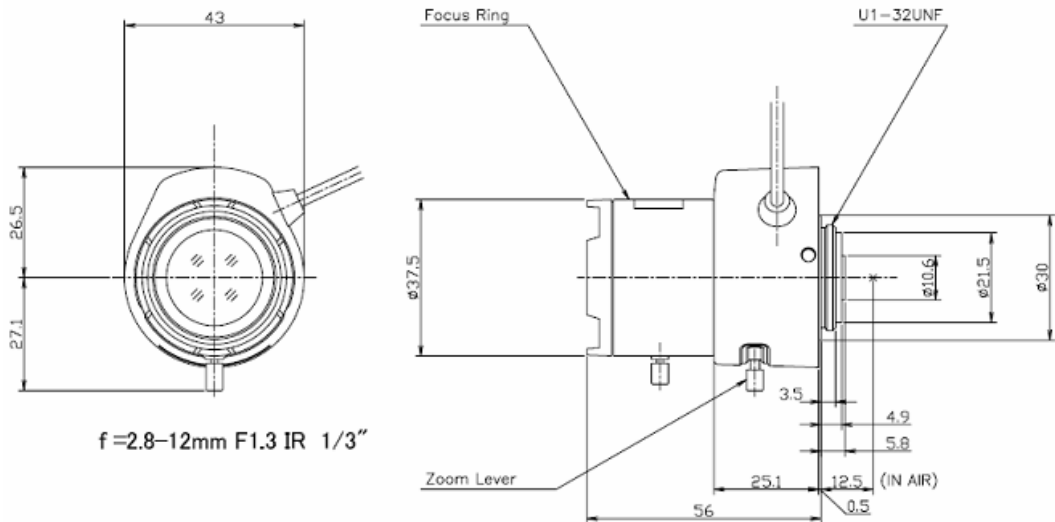


TG4Z2813FCS-IR

4X 2.8mm-12mm F1.3 Day & Night
for 1/3 type Cameras, Vari-focal Auto Iris DC Drive
CS-Mount

| | | | | | | | |
|-----------------------|---------|----------------------|----------------|--------------------|---------------|------------------------|--|
| Model No. | | TG4Z2813FCS-IR | | Effective | Front | φ 23.0mm | |
| Focal Length | | 2.8mm - 12mm | | Lens Aperture | Rear | φ 7.2mm | |
| Max. Aperture Ratio | | 1:1.3 | | Back Forcal | Tele | 20.2mm | |
| Max. Image Format | | 4.8mm x 3.6mm(φ 6mm) | | Length | Wide | 8.1mm | |
| Operation Range | Iris | F1.3 - F360C | | Flange Back Length | | 12.5mm | |
| | Focus | 0.3m - Inf. | | Mount | | CS-Mount | |
| | Zoom | 2.8mm - 12mm | | Filter Size | | - | |
| Control | Iris | DC Auto Iris | | Dimensions | | φ 37.5mm x 48mm x 56mm | |
| | Focus | Manual | | Weight | | 71g | |
| | Zoom | Manual | | | | | |
| Angle of View | D | 1/3 type | 133° - 29.7° | 1/4 type | 95.0° - 22.3° | | |
| | H | | 102.2° - 23.8° | | 74.2° - 17.8° | | |
| | V | | 74.2° - 17.8° | | 54.7° - 13.3° | | |
| Coil | Drive | 190 Ω | | | | | |
| | Control | 855 Ω | | | | | |
| Operating Temperature | | -10°C - +50°C | | | | | |

Dimensions



Wiring Diagram

