



# I-9301

## Addressable Single Output Module



### Description

With a microprocessor, the I-9301 Addressable Single Output Module can communicate with fire alarm control panel, control the output and show conditions by LED indicator. The module energizes the output relay and illuminates the indicator when receiving start command from FACP. In 4-wire mode, the output cable is monitored for fault of open circuit and short circuit.

### Features and Benefits

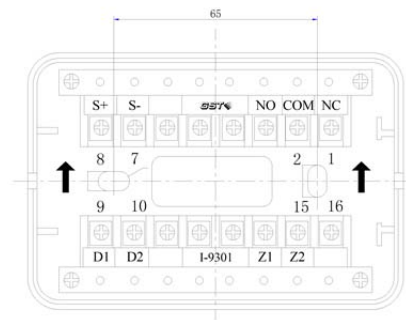
- Electronically addressed. The address can be modified by programmer.
- Built-in microprocessor processes messages intelligently.
- 2-wire and 4-wire modes can be set through hand held programmer.
- Monitoring power supply in 4-wire mode.
- Plug-in structure
- Comply with EN 54-18:2005 standard. LPCB/CPD approved.

### Certificates and Compliance

- Standards: EN54-18
- Certifications: LPCB

### Terminals and Installation

Below figures show the module base appearance.



Z1, Z2: Loop, non-polarized.

D1, D2: 24VDC power supply, non-polarized(only for four-wire mode).

S+, S-: Active output, for 4-wire mode only, polarized.

NC, COM, NO: Normally closed or normally open relay output, for 2-wire mode only.

### Recommended Cabling

1.5mm<sup>2</sup> or above fire cable for 24VDC, 1.0mm<sup>2</sup> or above fire cable for others, subject to local codes.

## Application

The module is designed for 2 types of working modes for different applications. The working mode and address can be set through handheld programmer. Factory defaults at 2-wire mode.

Module Code	Working Mode
2	2-Wire
1	4-Wire

The typical connections of 2-wire and 4-wire modes are shown below. Connect C-9403 conventional sounder as the sample.

## Technical Specification

Operating Voltage	Loop: 24V (16V~28V) Power: 24VDC (20VDC~28VDC)
Standby Current	Loop≤1mA Power≤5mA
Action Current	Loop≤3mA Power≤20mA
Output Capacity	4-wire mode: 24VDC/1A 2-wire mode: 24VDC/2A
Programming Method	Electronically addressed
Code Range	One address within 1~242.
Indicator	Active Indicator: Red, flashes when polling. Illuminates in action. Fault Indicator: Yellow, illuminates in fault.
Ingress Protection Rating	IP30
Operating Temperature	-10°C~+55°C
Relative Humidity	≤93%, non condensing
Material of Enclosure	ABS
Dimension (L×W×H)	120mm×80mm×39mm (with base)
Weight	About 194g (with base)

## Ordering Information and Compatible Products

Part No.	I-9301
Device Name	Addressable Single Output Module
Order Code	1224614
Compatible Products	GST100 Intelligent Fire Panel GST200-2 Intelligent Fire Alarm Control Panel GST200N Intelligent Fire Alarm Control Panel GST- IFP8 Intelligent Fire Alarm Control Panel

## Accessories and Tools



Part No.: P-9910B  
Device name: Handheld Programmer  
Order Code: 1274894