

LINX-154 Automation Server

Installation instructions

Instructions de montage

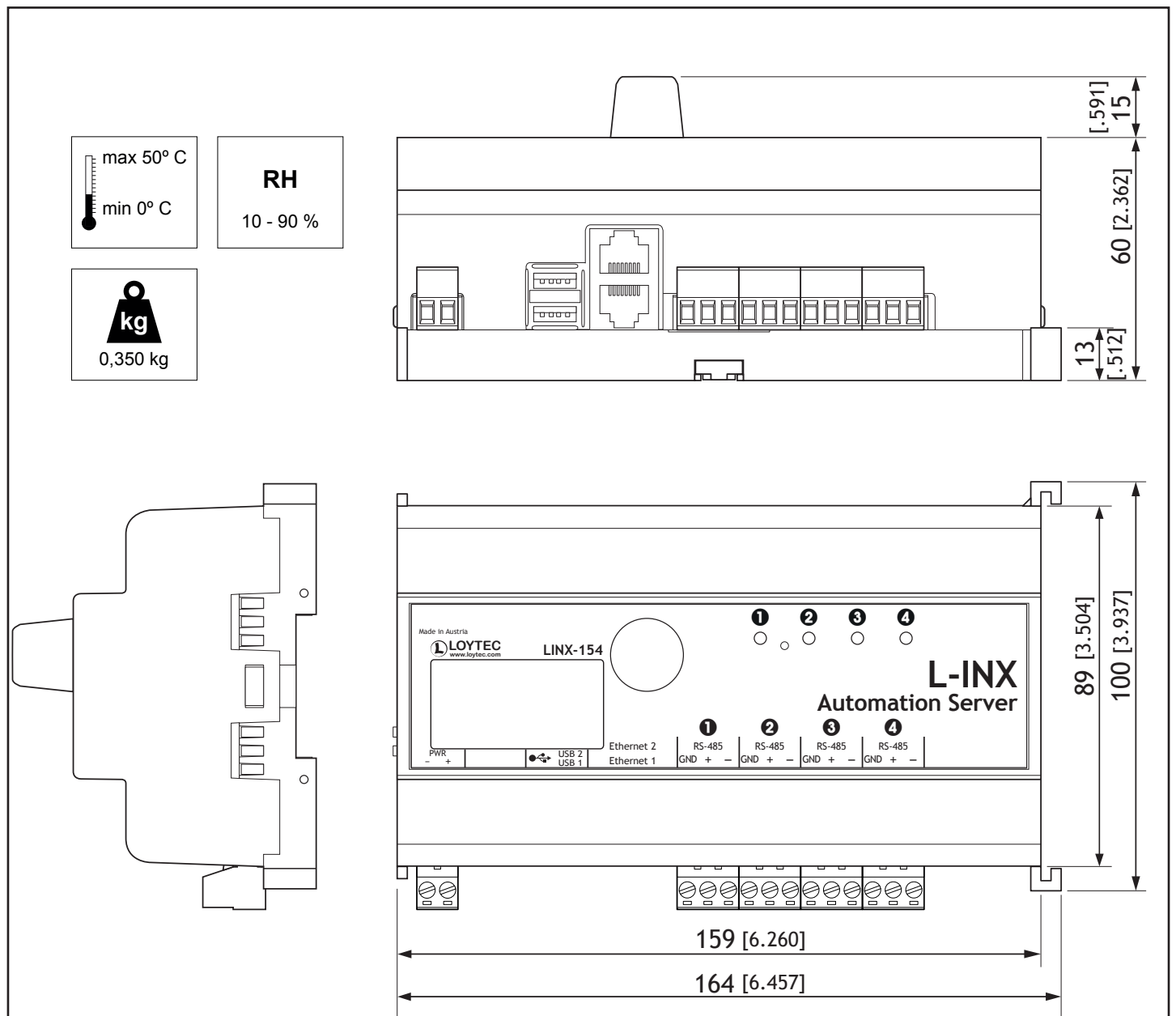
Montageanweisung

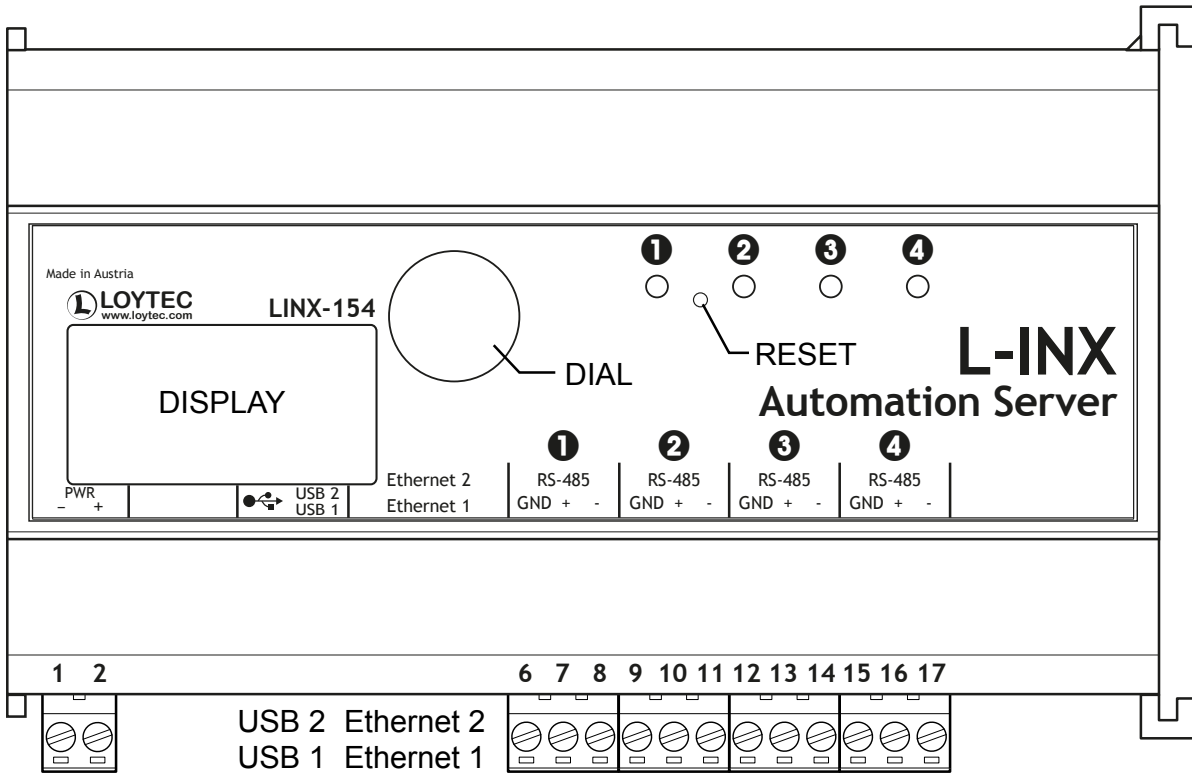
Montagevoorschrift

Istruzioni di montaggio

Instrucciones de montaje

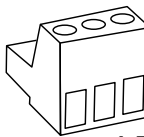
Monteringsanvisning



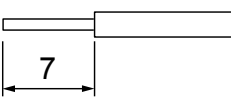


Connectors		
POWER	1	Power supply input -
	2	Power supply input +
Input + must NOT be connected to EARTH GND		
RS-485 PORT 1	6	GND
	7	+
	8	-
RS-485 PORT 2	9	GND
	10	+
	11	-
RS-485 PORT 3	12	GND
	13	+
	14	-
RS-485 PORT 4	15	GND
	16	+
	17	-

Connectors		
USB1	USB-A	USB Device
USB2	USB-A	USB Device
Ethernet1	RJ45	10/100Base-T
Ethernet2	RJ45	10/100Base-T
Buttons		
RESET		Reset
DIAL		Turn-and-Push Dial


 Weidmüller
 BLZP 5.08/03/180
 BLZP 5.08/02/180
 4.5 lb-in/0.5 Nm

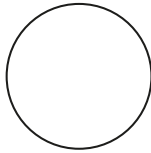
Weidmüller
 BL 5.08
 0.2 - 2.5 mm²



Made in Austria



LINX-154



L-INX Automation Server

PWR - +

USB 2
USB 1

Ethernet 2
Ethernet 1

1
RS-485
GND + -

2
RS-485
GND + -

3
RS-485
GND + -

4
RS-485
GND + -

1 2

6 7 8 9 10 11 12 13 14 15 16 17



STATUS LEDs

RS-485

MS/TP

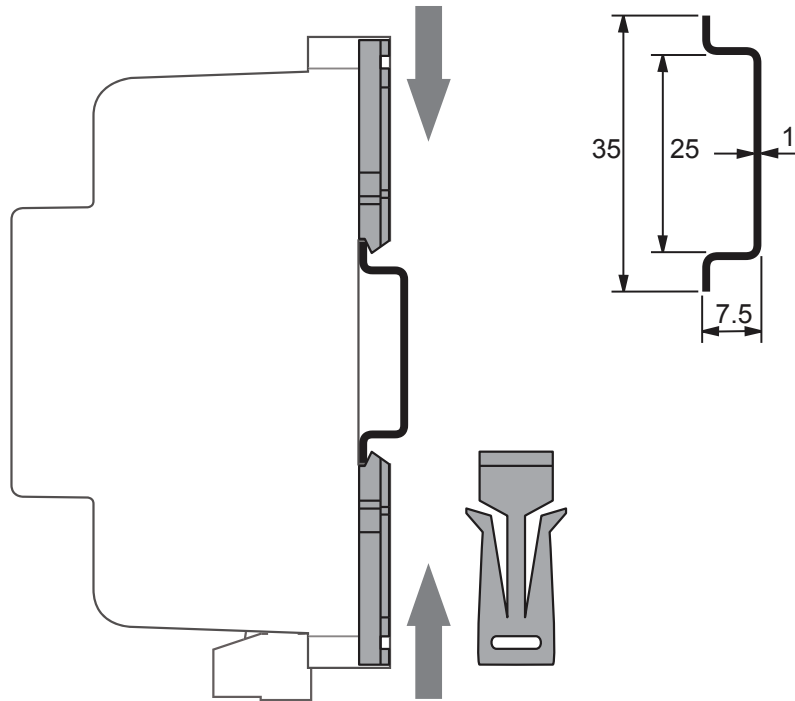
GREEN flashing fast
 ORANGE flicker
 RED permanent
 RED flashing fast

Token ok, traffic
 Single master, traffic
 Token lost, cable damage
 Communication errors

Please update the firmware of the device first,
 see www.loytec.com

DHCP enabled
 User: admin
 Password: loytec4u

35 mm x 7.5 mm DIN rail (EN 50022, BS 5584, DIN 46277-3)



Node ID of CEA-709 Port 1

Virtual (Node) ID of CEA-852 port (Ethernet)

MAC address of CEA-852 Ethernet port

Serial number of the device

