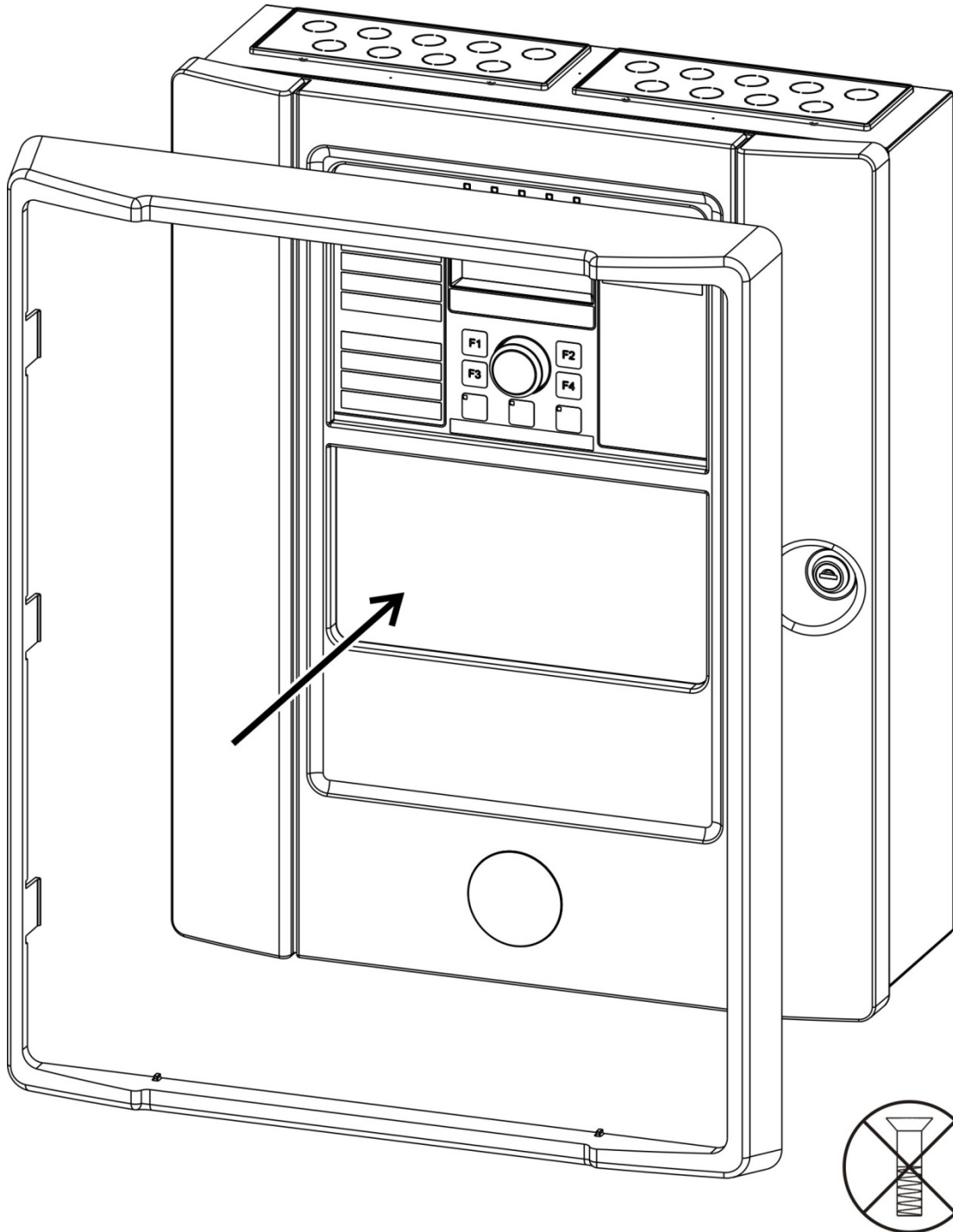
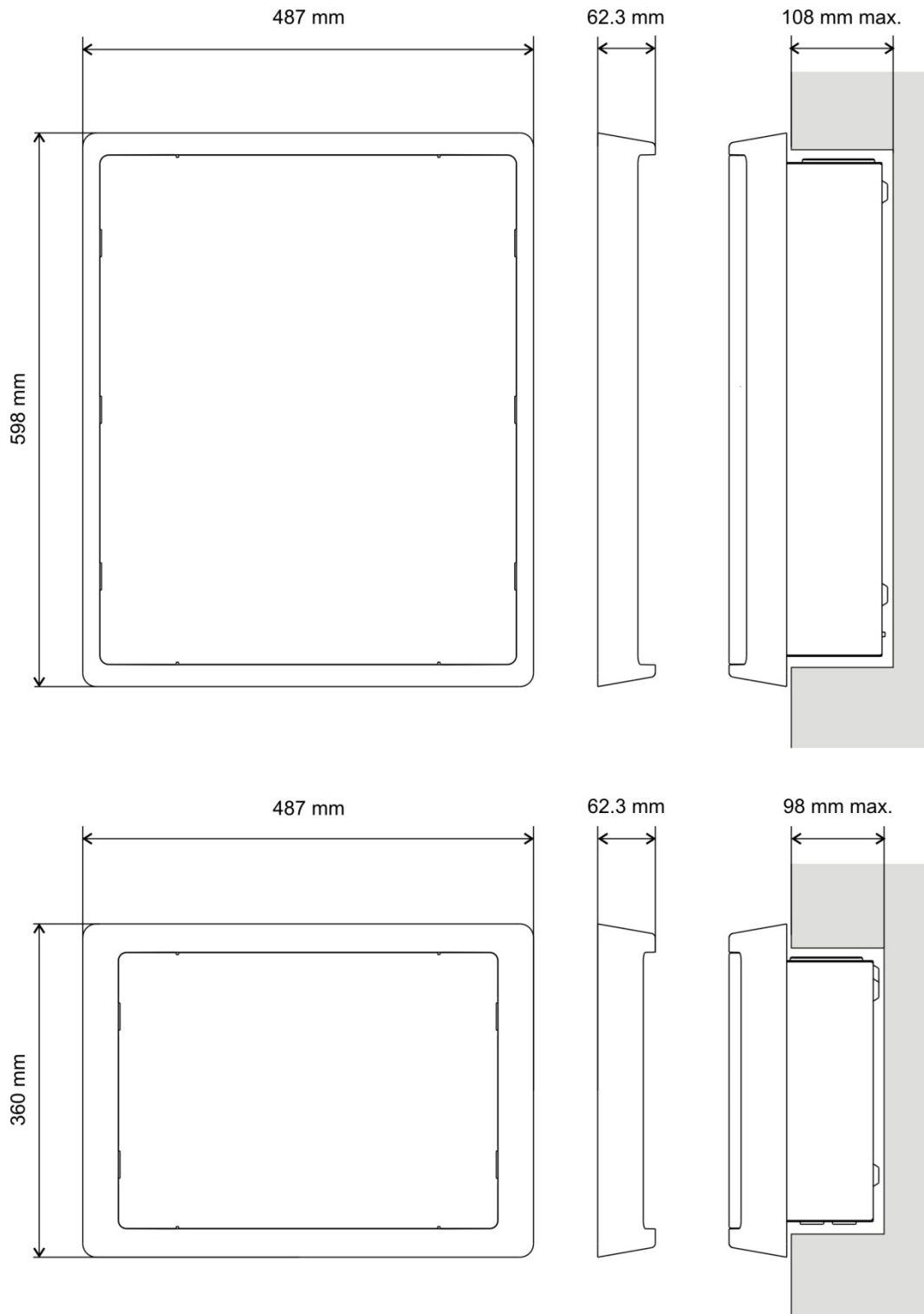




2010-2T-FM Flush Mount Installation Sheet

1





Regulatory information

Manufacturer Shenzhen EVA Mould Manufacturing Company Ltd, EVA Industrial Park, Nan Huan Road, Tian Liao Community, Guang Ming New Area, Shenzhen, Guangdong Province, 518106, China

EU authorized manufacturing representative:
UTC Fire & Security B.V. Kelvinstraat 7, 6003 DH Weert, The Netherlands

Certification



Contact information

For contact information, see www.utcfireandsecurity.com.