



# GST-306 Extinguishing Control Panel

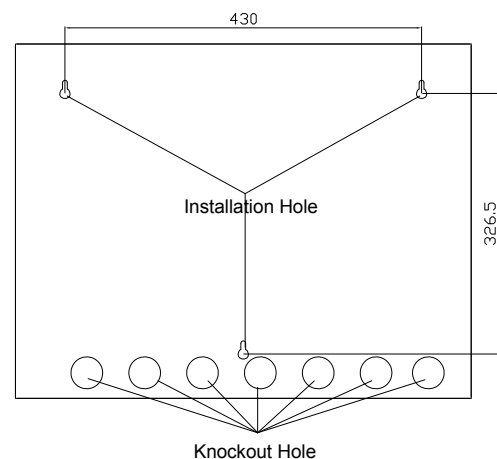
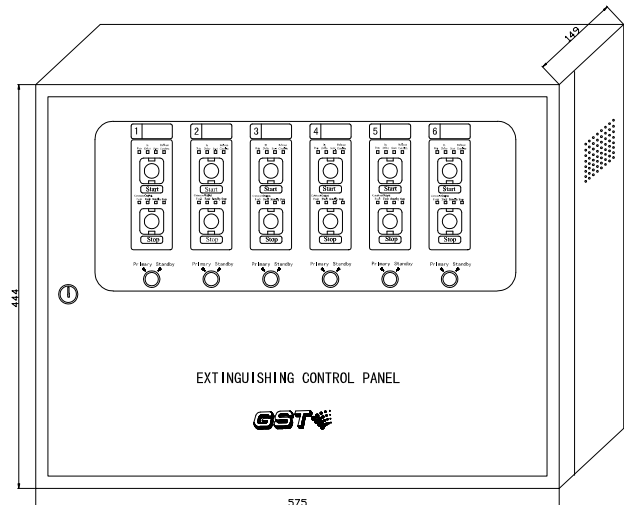
## Description

GST306 Extinguishing Control Panel is designed for driving the executing units of a fixed extinguishing system. The panel sits in GST addressable loop, receives command from fire alarm control panel and carries out gas extinguishing.

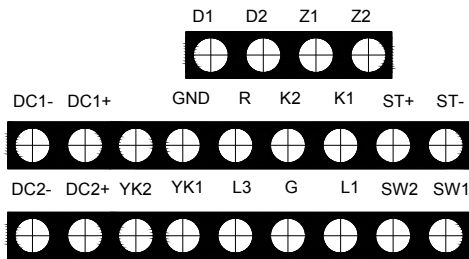
## Features and Benefits

- Directly connected to the loop of GST intelligent fire alarm control panels that are able to control associated fire suppression equipment to achieve automatic control of gas release.
- Through emergency gas override control in field or *Start* and *Stop* keys on the control panel, it can control gas release devices independent, even if the FACP is not working properly.
- All cables monitored for fault of open circuit and short circuit.
- Adjustable delay timer and release output period.
- Optional pulse or continuous output.

## Installation Data



## Terminals and Connections



## Technical Specifications

|                           |   |
|---------------------------|---|
| Operation Voltage         | 24VDC   |
| Standby Power Consumption | ≤10W  |
| Zone Quantity             | 6   |
| Delay timer               | 0 ~ 45s, steps @5s  |
| Gas Extinguishing Output  | Pulse (5s) or Continuous output, Max. 2A  |
| Other Outputs             | Release Indicator: 300mA/24VDC<br>Stop Indicator: 100mA/24VDC<br>Sounder: Dry-contact, 1A/24VDC |
| Operating Environment     | 0°C ~ +40°C<br>≤95%, non condensing   |
| Dimensions                | 575mm(W) x 444mm(H) x 149mm(D)  |

Recommended cabling:

\* All cables should be fire rated and follow local codes.

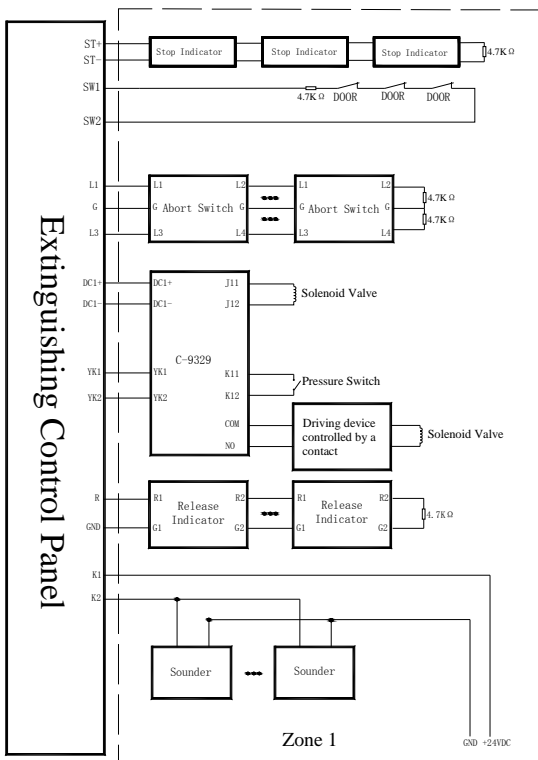
24VDC Power: 2.5mm<sup>2</sup>, 100 meters

Cylinder: 2.5mm<sup>2</sup>, 100 meters

Others: Minimum 1.0mm<sup>2</sup>, ideally 1.5mm<sup>2</sup>

## Order Information

|                    |  |
|--------------------|--|
| Part No.           | GST306   |
| Device Name        | Extinguishing Control Panel  |
| Order Code         | 1344030  |
| Compatible Panels  | GST200-2<br>GST200N<br>GST-IFP8  |
| Compatible Devices | C-9317 Emergency Gas Override Control<br>C-9318 Gas Extinguishing Warning Indicator<br>C Series Conventional Detector<br>DC Series Conventional Detector<br>DC-9204E Conventional Manual Call Point<br>C-9403 Conventional Sounder Strobe<br>C-9404 Conventional Sounder |



## Variant Models

| Part No. | Order Code | Property         |
|----------|------------|------------------|
| GST306   | 1344277    | Russian Language |