

# L-MBUS Converter

M-Bus Level Converter

## Installation instructions

Instructions de montage

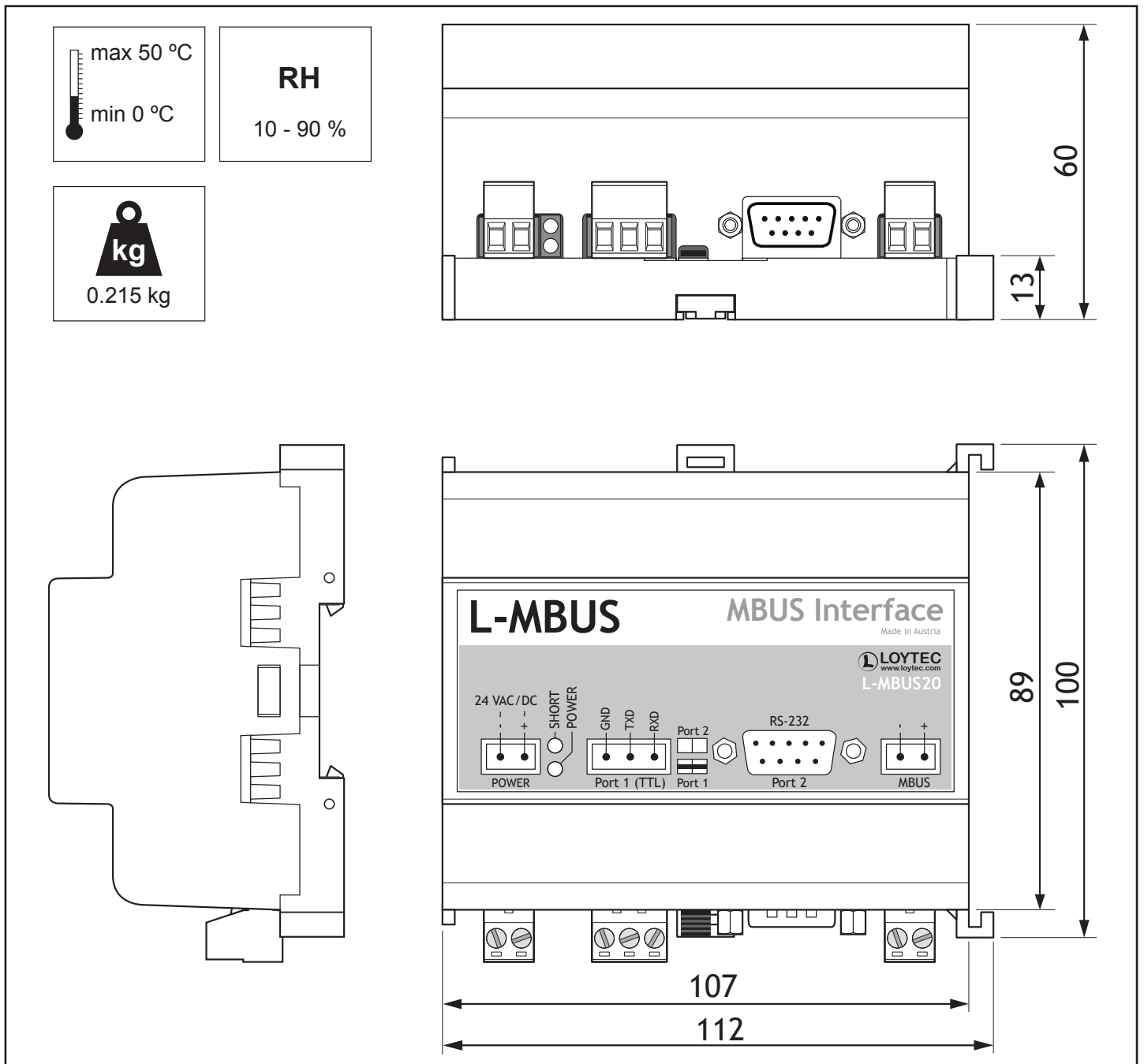
Istruzioni di montaggio

Montageanweisung



Instrucciones de montaje

Montagevoorschrift

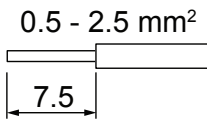
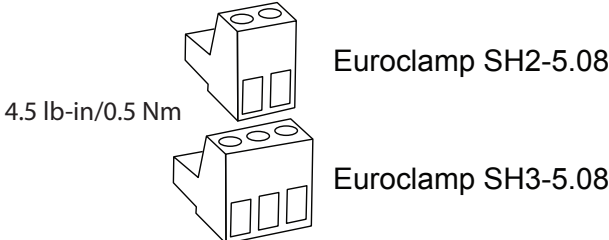
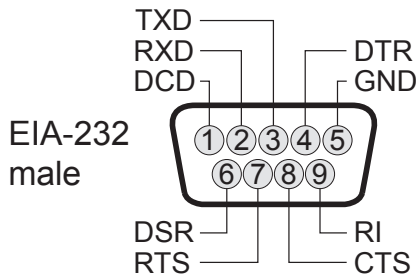
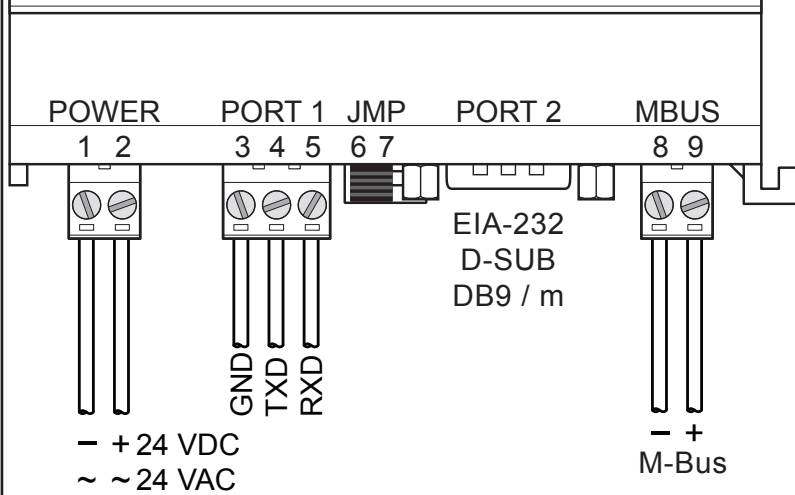
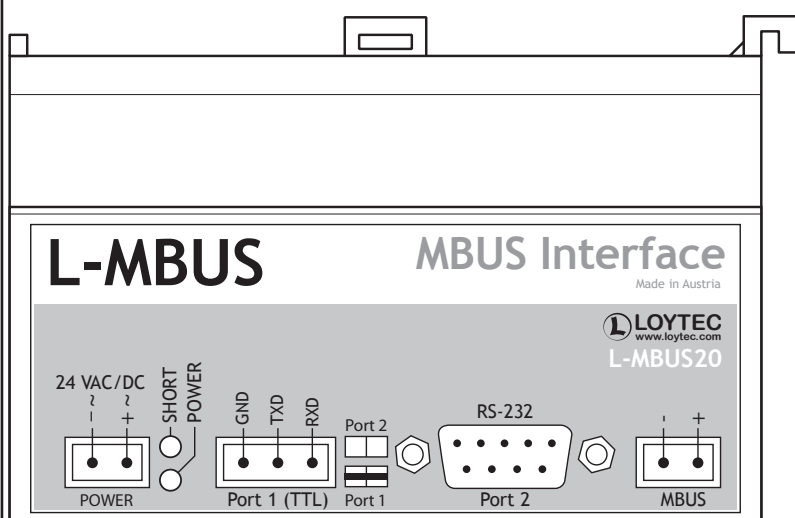
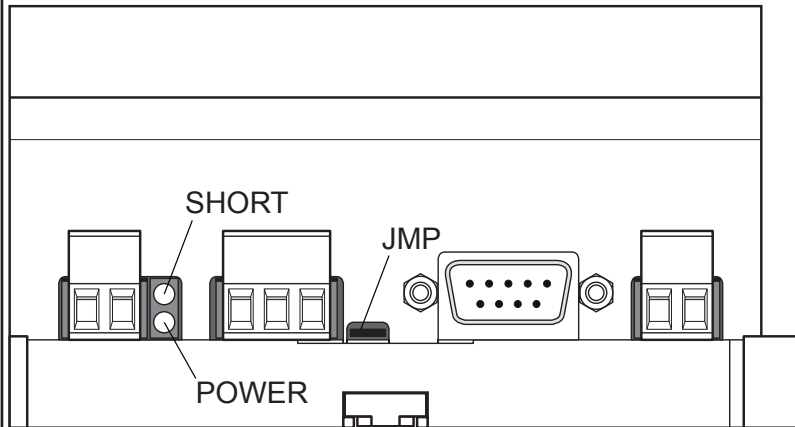
Monteringsanvisning

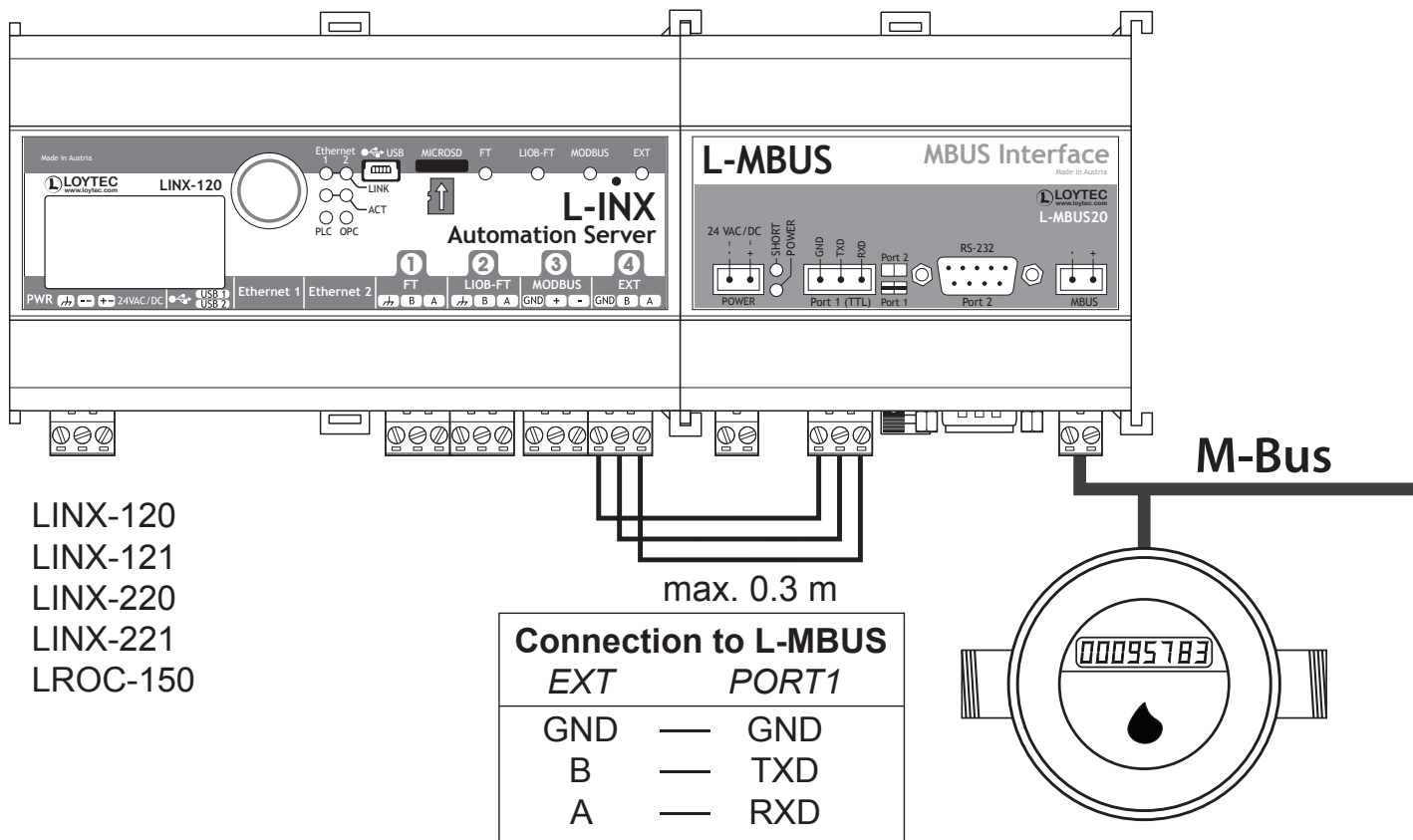
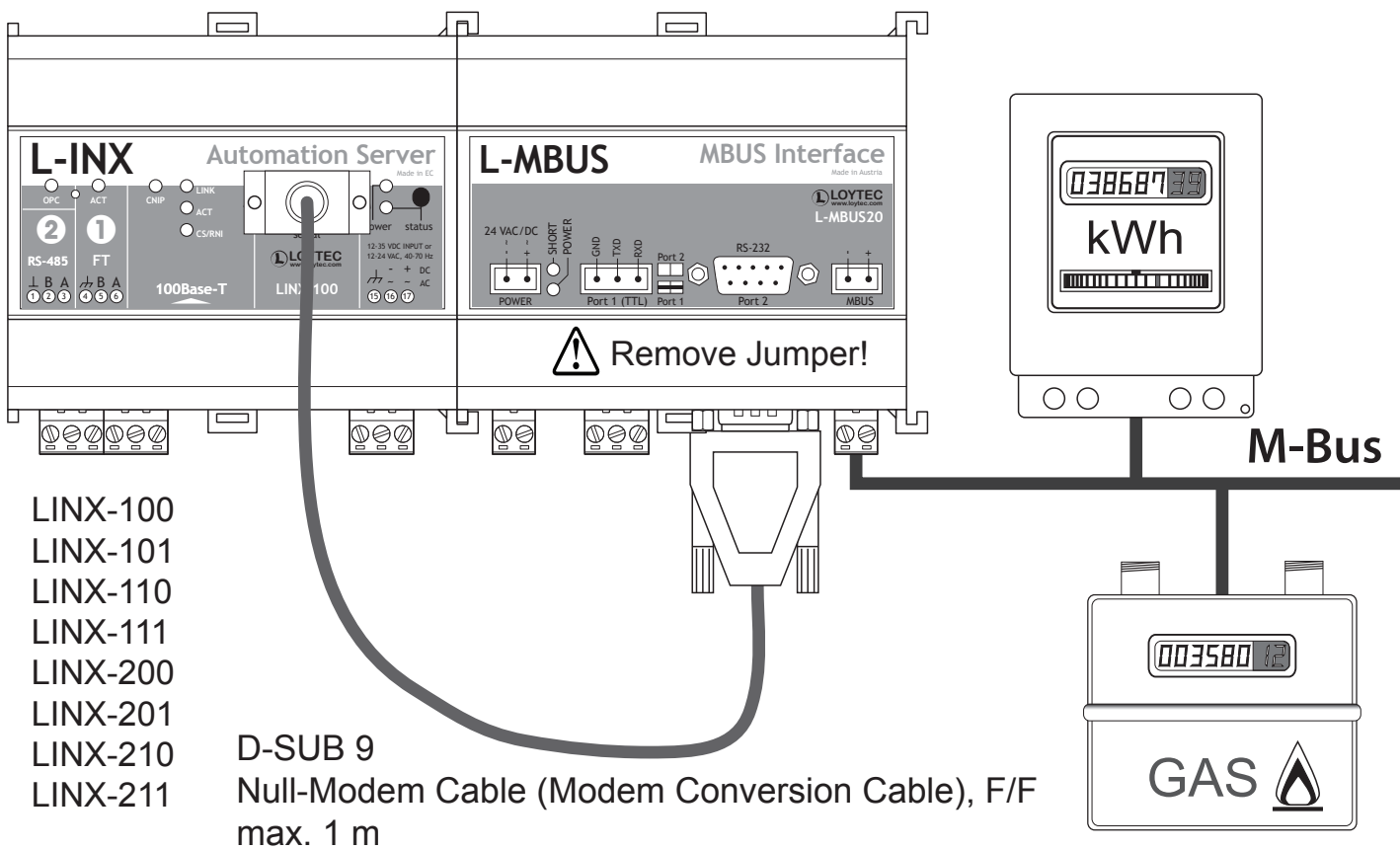


Status LEDs		
POWER	GREEN	Power Supply OK
SHORT	RED	M-Bus short circuit or bus overload

Port Settings, JMP		
	6,7 close	PORT1 (TTL) active
	6,7 open	PORT2 (EIA-232) active

Connectors		
POWER	1	Power supply input MINUS / AC
	2	Power supply input PLUS / AC
PORT1 (TTL)	3	Signal GND
	4	Input TXD
	5	Output RXD
PORT2 (EIA-232)	All signal lines according to EIA-232, DTE, DE-9 pin male	
JMP	6	Jumper
	7	Jumper
MBUS	8	M-Bus -
	9	M-Bus +





Attention! - While M-Bus data is sent on M-Bus, random data will be generated on RXD.

