

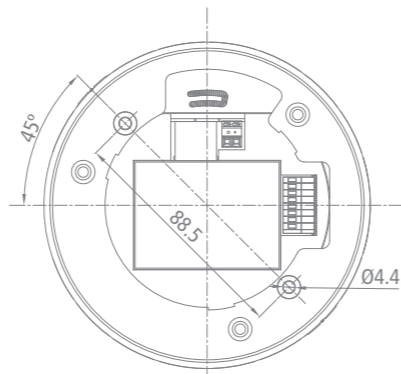
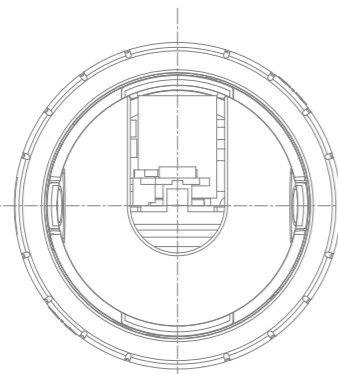
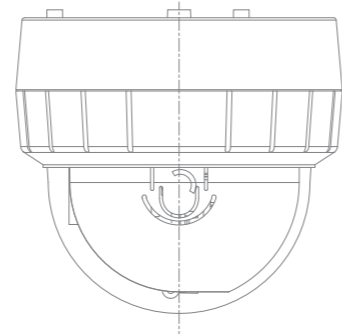
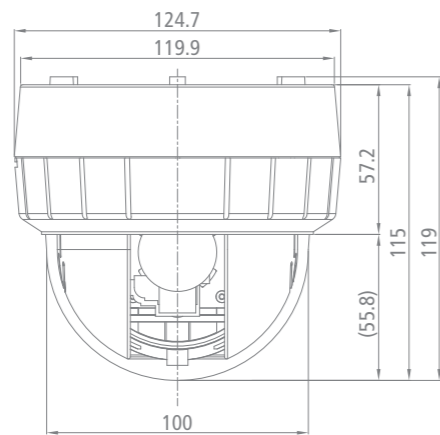
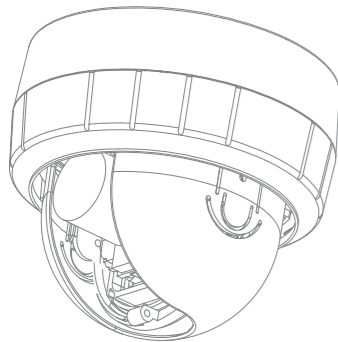
COMPATIBLE WITH:

Check our website or contact customer service for most updated information.



DIMENSIONS

- ZN-D2MTP-IR
- ZN-D1MTP-IR
- ZN-D2MTP
- ZN-D1MTP
- ZN-D2MAP
- ZN-D1MAP
- ZN-D1A



- TOP VIEW -

- BOTTOM VIEW -

(Unit : mm)

*Exact products and specifications shown may vary by geographic and subject to change without notice. Actual products may differ from the images appearing in the specification sheet.



CBC Co.,Ltd.

TOKYO Head Office Image and Information Technology Division
Ganz Global Brand Center

<http://www.ganz-global.com/>

UPDATE: Nov. 2014



GANZ IP SPECIFICATIONS

**PixelPro Network Camera
Indoor Dome Series**






Features:

- 1080p HD Resolution
- Progressive Scan CMOS
- 3-9mm or 3.3-12mm varifocal lens
- Improved picture quality
- ProSet System lets you zoom and focus directly from your PC (1080p & 720p models)
- Improved low-light performance
- Dual streaming video
- True Day/Night performance
- 18 IR LEDs (IR Models)
- DPC (Defective Pixel Correction) on select models
- Triple power (12VDC / 24VAC / PoE)
- External alarm I/O

CBC Co.,Ltd.
Ganz Global Brand Center

SPECIFICATION

Model Name		ZN-D2MTP-IR	ZN-D1MTP-IR	ZN-D2MTP	ZN-D1MTP
					
Camera	Image Sensor	1/2.8" Progressive Scan CMOS			
	Model	1080p	720p	1080p	720p
	Effective Pixels	1984(H) x 1225(V)			
	White Balance	ATW / MANUAL (Preset)			
	Digital Zoom	2 ~ 10x (Client software)			
	Shutter Speed	1/4, 1/10, 1/12.5, 1/15, 1/20, 1/25, 1/30, 1/50, 1/60, 1/100, 1/120, 1/240, 1/480, 1/960, 1/1024, 1/2000 sec			
	Day/Night Performance	True Day & Night			
	IR Illumination	18 IR LEDs		-	
	Min. Illumination (F1.2, 30IRE)	0.21 lux : Color 0 lux (IR LED ON) : B/W		0.26 lux : Color 0.11 lux : B/W	
	Other Function	AGC, BLC (Backlight Compensation)			
Lens	Type/ Focal Length	3-9mm Varifocal with P-Iris			
	Max. Aperture	F1.2			
	Iris	P-Iris			
	ProSet Remote Zoom/Focus	Yes			
	F.O.V	104.2° ~ 35.5°			
Analog	Video Signal	NTSC/PAL selectable			
	Monitor Output	Composite output (BNC), 75 ohm 1Vpp			
Network	Network	10BASE-T, 100BASE-TX, RJ45			
	Image Compression	H.264, MJPEG - 2nd stream only			
	Resolution	1920 x 1080 (Full HD Model), 1280 x 1024 (SXGA), 1280 x 720 (720p), 640 x 480 (VGA), 640 x 360 (HVGA), 320 x 240 (QVGA), 704 x 480/576 (4CIF), 352 x 240/288 (CIF)			
	Protocol	IPv4, HTTP, SMTP, UPnP, DNS, RTP, TCP, UDP, RTCP, DHCP, ARP, IGMP, ICMP, NTP			
	Frame Rate	1 fps ~ 25 fps / 1 fps ~ 30 fps			
	Web Browser	Internet Explorer 7.0 or above, Firefox, Chrome, Smart phone (iOS, Android)			
	Security	Password Protection, IP Addressing Filtering			
	SDK (API)	HTML based API - ONVIF			
	VMD (Video Motion Detection)	User set 4 ROI (Region of Interest), 10 Step Sensitivity			
	Alarm Trigger	VMD, External Alarm Input			
Alarm Event	E-mail notification (Snapshot), FTP transfer (Snapshot), Video streaming with alarm status				
Power	Power Consumption	12VDC	680mA / Max 8.2W		500mA / Max 6W
		24VAC	510mA / Max 7.5W		420mA / Max 6.2W
		PoE	150mA / Max 7.2W (IEEE 802.3af compliant)		120mA / Max 7.2W (IEEE 802.3af compliant)
Other Specification	MicroSD Card	-			
	External I/O Terminals	Alarm In x1, Alarm Out x1, Audio In x1, Audio Out x1			
	Operating Temperature	-5°C ~ 45°C (23°F ~ 113°F)			
	Weight	0.4 kg			
	Dimensions	Ø124.7mm x 119mm(H) / Ø4.9" x 4.5"(H)			
	Certifications	CE, FCC, UL, WEEE			

Model Name		ZN-D2MAP*	ZN-D1MAP*	ZN-D1A*	
					
Camera	Image Sensor	1/2.5" Progressive Scan CMOS			
	Model	1080p	720p	VGA	
	Effective Pixels	2560(H) x 1440(V)	2592(H) x 1944(V)	2112(H) x 1728(V)	
	White Balance	ATW / MANUAL (Preset)			
	Digital Zoom	2 - 10x (Client software)			
	Shutter Speed	1/4, 1/10, 1/12.5, 1/15, 1/20, 1/25, 1/30, 1/50, 1/60, 1/100, 1/120, 1/240, 1/480, 1/960, 1/1024, 1/2000 sec			
	Day/Night Performance	True Day & Night			
	IR Illumination	-			
	Min. Illumination	Color: 0.98 lux (F1.4, 30IRE) B/W: 0.09 lux (Slow Shutter ON, 30IRE)		Color: 1.14 lux (F1.6, 30IRE) B/W: 0.1 lux (F1.6, Slow Shutter ON, 30IRE)	
	Other Function	AGC, BLC (Backlight Compensation)			
Lens	Type/ Focal Length	3.3-12mm with ProSet Zoom & Focus		3.3-12mm Varifocal	
	Max. Aperture	F1.4		F1.6	
	Iris	P-Iris		DC Auto Iris	
	ProSet Remote Zoom/Focus	Yes		-	
	F.O.V	76.6° ~ 21.0° (112.6° ~ 28.0° , Wide mode)		86.1° ~ 23.1°	
Analog	Video Signal (Installation Mode Only)	NTSC/PAL selectable			
	Monitor Output	Composite output (BNC), 75 ohm 1Vpp			
Network	Network	10BASE-T, 100BASE-TX, RJ45			
	Image Compression	H.264, MJPEG - 2nd stream only			
	Resolution	1920 x 1080, 1280 x 720, 1280 x 720 (wide), 1280 x 1024, 1024 x 768, 740 x 480/576, 640 x 480, 352 x 240/288, 320 x 240	1280 x 720, 1280 x 720 (wide), 1280 x 1024, 1024 x 768, 740 x 480/576, 640 x 480, 352 x 240/576, 320 x 240	740 x 480/576, 640 x 480, 352 x 240/288, 320 x 240	
	Protocol	IPv4/6, HTTP, SMTP, UPnP, DNS, Dynamic DNS, NTP, RTSP, RTP, TCP, UDP, IGMP, RTCP, ICMP, DHCP, ARP			
	Frame Rate	2.1 fps ~ 25 fps / 2.5 fps ~ 30 fps			
	Web Browser	Internet Explorer 7.0 or above, Firefox, Chrome, PDA / Smart phone (iOS, Android)			
	Security	Password Protection			
	SDK (API)	HTML based API - ONVIF			
	VMD (Video Motion Detection)	User set 4 ROI (Region of Interest), 10 Step Sensitivity			
	Alarm Trigger	VMD, External Alarm Input			
Alarm Event	E-mail notification, FTP Uploading, Alarm out				
Power	Power Consumption	12VDC	415mA, 5.0W (ProSet off) 638mA, 7.7W (ProSet on)	387mA, 4.6W (ProSet off) 610mA, 7.3W (ProSet on)	376mA, 4.5W
		24VAC	316mA, 4.9W (ProSet off) 467mA, 7.4W (ProSet on)	305mA, 4.6W (ProSet off) 441mA, 7.2W (ProSet on)	292mA, 4.4W
		PoE	6.2W, Class 2	6.0W, Class 2	4.3W, Class 2
Other Specification	MicroSD Card	MicroSDHC card compatible - SanDisk, Transcend, Kingston, Toshiba: 1G, 2G, 4G, 8G, 16G, 32G			
	External I/O Terminals	Alarm In x1, Alarm Out x1, Audio In x1			
	Operating Temperature	-10°C ~ 50°C (14°F ~ 122°F)			
	Weight	0.4 kg			
	Dimensions	Ø124.7mm x 119mm(H) / Ø4.9" x 4.5"(H)			
	Certifications	CE, FCC, UL, WEEE			

* This model is subject to being unsold.