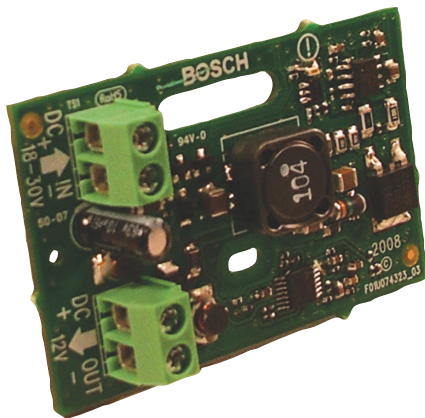


MAP 12V Converter

www.boschsecurity.com



BOSCH
Invented for life



- ▶ Converts 24 VDC to 12 VDC
- ▶ Maximum current 500 mA
- ▶ Mounts in NNK100 enclosure or two converters on MAP Accessory Mounting Plate (ICP-MAP0020)
- ▶ Limits and indicates over-current conditions

The converter converts regulated 24 VDC input (range 18 VDC to 29 VDC) and produces a 12 VDC output at 500 mA.

As part of the Modular Alarm Platform 5000 solution, the converter supports power requirements for:

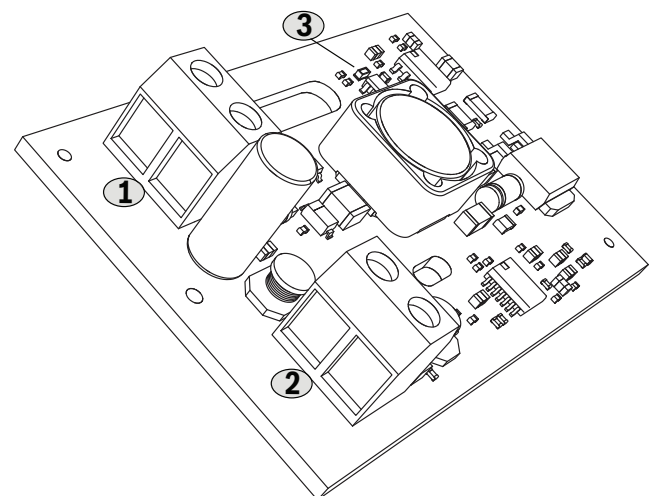
- Communicator Interfaces such as the AT 2000 Transmission System Auto Dialers.
- 12 V conventional peripherals such as motion or glass break detectors.

Certifications and approvals

Region	Certification	
Germany	VdS	G111040 ICP-MAP-5000
Europe	CE	EN 55022, EN 50130-4, EN 6100-3-2, EN 6100-3-3, EN 60950-1 MAP 5000 family
France	AFNOR	NF&A2P Grade 3, Certificat numéro 1133400003A0, Conforme à la norme NF324-H58

Installation/configuration notes

Terminals and Connectors



1. DC in (+ and -)
2. DC out (+ and -)
3. LED (over-current)

Compatibility Information

Control Panels	MAP 5000 Main Panel (ICP-MAP5000-2)
----------------	-------------------------------------

Wiring Considerations

Use 2-conductor copper cable from the MAP Power Supply 150W (IPP-MAP0005-2) to the MAP 12V Converter (ICP-MAP0017) with a maximum of 13 Ω on both the + and – supply wires. This is equivalent to:

Wire Size	Wire Length
0.6 mm	100 m
0.8 mm	175 m
1.0 mm	275 m

Parts included

Quantity	Component
1	MAP 12V Converter (ICP-MAP0017)
1	Accessory pack <ul style="list-style-type: none"> • One screw • One washer • One stand-off bracket

Technical specifications

Electrical

Minimum operating voltage in VDC	18
Maximum operating voltage in VDC	29
Rated voltage in VDC	28
Maximum current consumption in mA	50
Maximum output current in mA	500
Minimum output voltage in VDC	10.8
Maximum output voltage in VDC	13.2
Galvanic isolation	Non-isolated (common negative)
Efficiency in %	75

Mechanical

PCB	
Dimension in cm (H x W x D)	6.0 x 3.8 x 1.5
Weight in g	18
Connection type	Terminal strip
Indicator	Yellow LED for over-current

Environmental

Minimum operating temperature in °C	-10
Maximum operating temperature in °C	55
Minimum storage temperature in °C	-20
Maximum storage temperature in °C	60
Minimum relative humidity in %	5 (non-condensing)
Maximum relative humidity in %	95 (non-condensing)
Protection class	IP30 IP31 (built into the MAP Panel Enclosure with an edge protection profile)
Security level	IK04 IK06 (built into the MAP Panel Enclosure with an edge protection profile)
Environmental class	II: EN50130-5, VdS 2110
Usage	Indoor

Ordering information

MAP 12V Converter

Supports power requirements for 12 VDC peripherals and communicator interfaces including various AT 2000 Transmission System models.
Order number **ICP-MAP0017**

Represented by:

Americas:

Bosch Security Systems, Inc.
130 Perinton Parkway
Fairport, New York, 14450, USA
Phone: +1 800 289 0096
Fax: +1 585 223 9180
security.sales@us.bosch.com
www.boschsecurity.us

Europe, Middle East, Africa:

Bosch Security Systems B.V.
P.O. Box 80002
5617 BA Eindhoven, The Netherlands
Phone: + 31 40 2577 284
Fax: +31 40 2577 330
emea.securitysystems@bosch.com
www.boschsecurity.com

Asia-Pacific:

Robert Bosch (SEA) Pte Ltd, Security
Systems
11 Bishan Street 21
Singapore 573943
Phone: +65 6571 2808
Fax: +65 6571 2699
apr.securitysystems@bosch.com
www.boschsecurity.asia

China:

Bosch (Shanghai) Security Systems Ltd.
203 Building, No. 333 Fuquan Road
North IBP
Changning District, Shanghai
200335 China
Phone +86 21 22181111
Fax: +86 21 22182398
www.boschsecurity.com.cn

America Latina:

Robert Bosch Ltda Security Systems Division
Via Anhanguera, Km 98
CEP 13065-900
Campinas, Sao Paulo, Brazil
Phone: +55 19 2103 2860
Fax: +55 19 2103 2862
latam.boschsecurity@bosch.com
www.boschsecurity.com