

COPPERLINE®



The ComNet™ CLFE4+1SMS[POE](C,U) is a five-port Ethernet switch with uplink management functionality and provides 4 copper ports operating at 10/100Mbps and is designed to combine four electrical ports into a single electrical Cat5, UTP or Coax CopperLine® port that forwards this data to the next network device. There is no programming required to use this product. The ComNet CLFE4+1SMS comes pre-programmed, preventing network video flooding with DIP switch selection of the fifth electrical port as uplink or as an unmanaged switch. Ports 1-4 of the CLFE4+1SMSPOE can supply up to thirty (30) watts of Power over Ethernet (PoE)* and incorporate PoE+ features based on the IEEE 802.3at standard. It is "Plug-and-Play".

FEATURES

- › No Programming Required
- › 10/100 Mbps Ethernet
 - 4 × 10/100 BASE-T/TX electrical ports with optional PoE+
 - 1 × 10/1000Mbps CopperLine electrical uplink
- › Electrical ports support Auto-Negotiation for 10 Mbps or 100 Mbps, full duplex or half duplex data.
- › Pre-programmed Port for uplink
- › Full 10/100 Mbps Bandwidth
- › Supports Multicast, Unicast and Jumbo Frame
- › Automatic MDI/MDI-X crossover
- › Designed to meet full compliance with the environmental requirements (ambient operating temperature, mechanical shock, vibration, humidity with condensation, high-line/low-line voltage conditions and transient voltage protection) of NEMA TS-1/TS-2 and the Caltrans Specification for Traffic Signal Control Equipment.
- › Voltage transient protection on all power and signal input/output lines provides protection from power surges and other voltage transient events.

- › Power and Activity status LED indicators
- › Hot-swappable rack modules
- › Interchangeable between stand-alone or rack mount use - ComFit, or can be DIN-Rail mounted with optional kit
- › IEEE 802.3 compliant
- › Lifetime Warranty

APPLICATIONS

- › IP Video Applications
- › CCTV systems for casinos, airports, school campuses
- › Retrofit of existing analog CCTV installations to Ethernet based systems

* Power Supply for PoE applications is sold separately.

SPECIFICATIONS

Ethernet

Data Interface	Ethernet
Data Rate	10/100 Mbps IEEE 802.3 Compliant Full Duplex or Half Duplex Electrical Ports
Standards	IEEE 802.3at PoE+, RFC: 768 UDP, 2068 HTTP, 793 TCP 791 IP, 1783 TFTP, 894 IP over Ethernet.

Connectors

Operating Power Ethernet	Terminal Block RJ-45
Extended Distance	Coaxial (C): female BNC Ethernet (U): RJ-45

LED Indicators

- Electrical Link/Data Activity
- Power
- Power over Ethernet (PoE+)
- Extension Link/Activity

Power

Operating Voltage	9 to 12 VDC (non-PoE), 48 to 56VDC (PoE)
Power Consumption	10W (non-PoE), 130W (PoE)

Electrical & Mechanical

Surface Mount	Wall or Flat Surface Screw Attachment
Number of Rack Slots	1 (Although the units may be mounted inside a ComNet rack the PoE models cannot be powered from the built-in rack PSU; they must be powered by an external 48-56VDC PSU.)
Current Protection Circuit Board	Automatic Resettable Solid-State Current Limiters Meets IPC Standard
Size (L×W×H)	6.1 × 5.3 × 1.1 in (15.5 × 13.5 × 2.8 cm)
Shipping Weight	<2 lbs./0.9 kg

Environmental

MTBF	>100,000 hours
Operating Temp	-40° C to +75° C <i>UL Safety certifications conducted at maximum ambient temperatures (T_{ma}) of 65°C</i>
Storage Temp	-40° C to +85° C
Relative Humidity	0% to 95% (non-condensing) ²

NOTE: In a continuing effort to improve and advance technology, product specifications are subject to change without notice.

AGENCY COMPLIANCE



MADE IN THE
USA

ORDERING INFORMATION

Part Number	Description
CLFE4+1SMSC	4 Port 10/100 Mbps Ethernet Self-managed Switch, with Coaxial CopperLine uplink port
CLFE4+1SMSU	4 Port 10/100 Mbps Ethernet Self-managed Switch, with UTP CopperLine uplink port
CLFE4+1SMSPOEC	4 Port 10/100 Mbps Ethernet Self-managed Switch with PoE+, with Coaxial CopperLine uplink port
CLFE4+1SMSPOEU	4 Port 10/100 Mbps Ethernet Self-managed Switch with PoE+, with UTP CopperLine uplink port

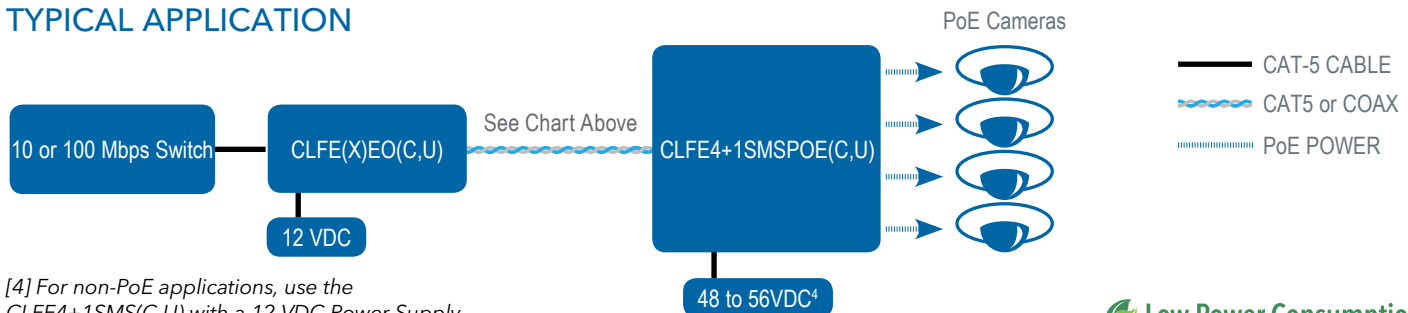
Included Accessories Unit-appropriate power supply (one each provided with each non-PoE unit).
Options For PoE units order suitable PoE power supply (sold separately)
[2] Add suffix '/C' for Conformally Coated Circuit Boards to extend to condensation conditions (Extra charge, consult factory)
DIN-Rail Mounting Adaptor Plate Kit - With Mounting Hardware (sold separately, order model DINBKT1 or DINBKT4)

MAXIMUM TRANSMISSION DISTANCES³

Media	COAX - RG59/U		UTP - 4 pair		UTP - 1 pair	
	10M	100M	10M	100M	10M	100M
Extended Distance ³	5,000 ft 1,524 m	2,000 ft 610 m	3,000 ft 914 m	2,000 ft 610 m	3,000 ft 914 m	1,000 ft 305 m

[3] Distance figures are obtained using in-house testing mirroring installations. Factors such as coaxial/copper cable quality, the number of connectors/splices in the cable run, and environmental conditions encountered within the installation may affect the actual transmission distance, and should be taken into consideration.

TYPICAL APPLICATION



[4] For non-PoE applications, use the CLFE4+1SMS(C,U) with a 12 VDC Power Supply

Low Power Consumption