



The ComNet CNFE3DOE2/M allows any combination of two RS-232, RS-422, or 2 or 4-wire RS-485 serial data circuits to be inserted onto any 10/100 Mbps Ethernet-based network. The CNFE3DOE2/M units include two serial data input/output ports, and three Ethernet ports featuring two electrical ports and one SFP port. It may be used to tunnel serial data over an IP network or as a media converter, for converting copper transmission media to fiber. Access one serial device from the Internet and another serial device from a local area network (LAN) using SSH or SSL. The CNFE3DOE2/M provides control of the remote hardware, as if it were connected directly to the PC COM port. A USB to serial converter may be required in new PCs without a DB9 serial connection.

FEATURES

- › Environmentally Hardened -40° to +75°C
- › Two RS232/422/485 selectable serial ports
- › Basic flow control/handshaking (Request-to-Send & Clear-to-Send) is included, when this device is used with RS232-compatible equipment requiring this functionality.
- › The two serial ports may be configured to communicate serial data from a local unit to a remote unit through a user's network.
- › Serial data appearing on either of the two serial data ports is converted to Ethernet, and transmitted to either the SFP and/or RJ45 ports. The unit can also act as a media converter, for converting copper to fiber.
- › Easy configuration through web interface (HTTP/HTTPS)
- › Serial data can be transported with encryption using SSL/SSH.
- › Voltage transient protection on all power and signal input/output lines provides protection from power surges and other voltage transient events.

- › Packaged in the ComNet DIN-mount housing, the CNFE3DOE2/M is ideal for those installations where space may be limited
- › Power and Port status LED indicators
- › Automatic resettable solid-state current limiters
- › Lifetime Warranty

APPLICATIONS

- › Access Control Systems
- › Building Automation and Environmental Control Systems
- › Computer/Data Equipment
- › Fire and Alarm Systems
- › Traffic Signal Control Equipment

* Small Form-Factor Pluggable Module. Sold separately.

SPECIFICATIONS

| | |
|--------------------------|---|
| Data | |
| Data Interface | RS232/RS422/RS485, Hardware Handshaking, RS485 2-wire/4-wire |
| Data Rate | 2400 to 230,000 bps |
| Ethernet | 10/100TX, 100FX |
| Management | HTTP, HTTPS, SNMPv1 RFC1155, RFC1213 & RFC1215 |
| Network Protocols | TCP, UDP, SSL, SSH |
| Cable | Cat5(e)6 |
| Connectors | |
| 100BASE-FX | 1 × SFP ¹ pluggable optics Requires selection of sold-separately SFP modules. See ComNet data sheet for number, description, and compatibility of SFP modules |
| 10/100BASE-TX | 2 × RJ-45 |
| Data | Screw Terminal Block |
| Power | Screw Terminal Block |
| LED Indicators: | - Power - Ethernet |



Power

| | |
|--------------------|---|
| Power Consumption | 5 W (max) |
| Operating Voltage | Dual 9 to 60 VDC |
| Current Protection | Automatic Resettable Solid-State Current Limiters |

Electrical & Mechanical

| | |
|------------------------------|--|
| Circuit Board | Meets IPC Standard |
| Mounting | Standard DIN-Rail or panel-mount. Panel mounting adapter included. |
| Dimensions | |
| w/ wall mount adapter plate: | 5.4 × 2.2 × 2.9 in (13.7 × 5.5 × 7.4 cm) |
| w/ DIN rail mount clips: | 3.9 × 2.2 × 3.6 in (9.9 × 5.5 × 9.2 cm) |
| Weight | 1.5 lb / 0.68 kg |

Environmental

| | |
|--------------------|---|
| MTBF: | >100,000 hours |
| Operating Temp: | -40° C to +75° C |
| Storage Temp: | -40° C to +85° C |
| Relative Humidity: | 0% to 95% (non-condensing) ² |

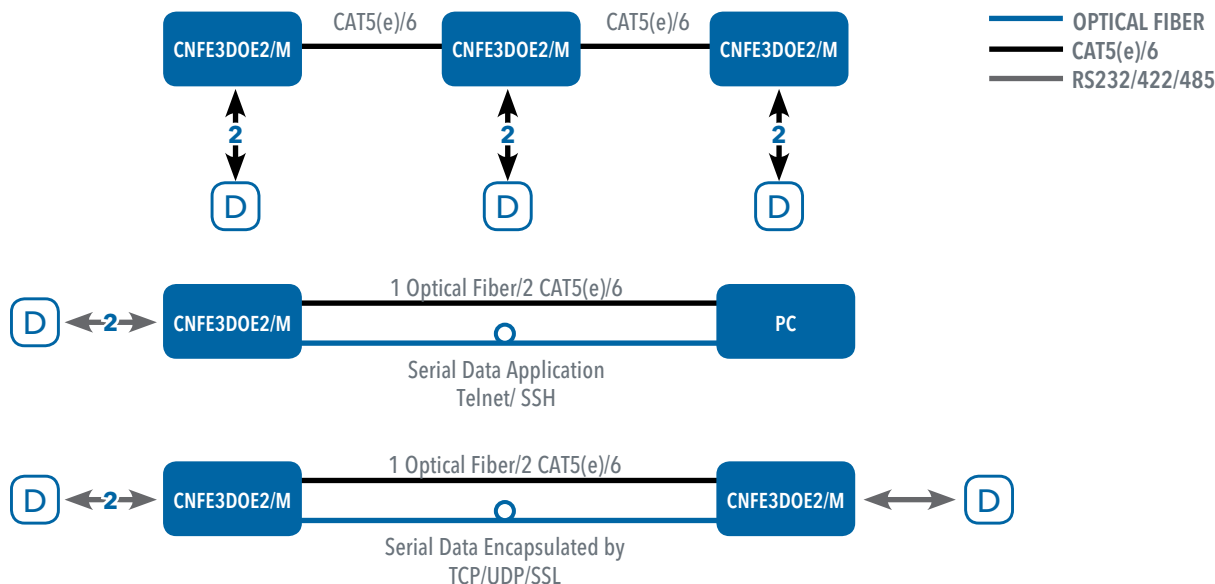
[1] Multimode fiber must meet or exceed fiber standard ITU-T G.651.
Single mode fiber must meet or exceed fiber standard ITU-T G.652
[2] May be extended to humidity with condensation conditions

ORDERING INFORMATION

| Part Number | Description |
|-----------------------------|--|
| CNFE3DOE2/M | 3 Port 10/100 Mbps Terminal Server, 2 electrical ports + 1 SFP port |
| Included Accessories | Panel Mounting Adaptor Plate Kit with Mounting Hardware DIN Rail Mounting Adaptor Clip Kit with Mounting Hardware |
| Options | ComNet Recommended Power Supply (Not Included, consult factory) [2] Add suffix 'C' for Conformally Coated Circuit Boards (Extra charge, consult factory) User selection of ComNet SFP (see SFP Modules data sheet for product numbers and compatibility before ordering) |

NOTE: This product requires a fiber installation with a minimum 30 dB connector return loss. The use of Super Polish Connectors is recommended. Complies with FDA Performance Standard for Laser Products, Title 21, Code of Federal Regulations, Subchapter J. In a continuing effort to improve and advance technology, product specifications are subject to change without notice.

TYPICAL APPLICATION



Low Power Consumption