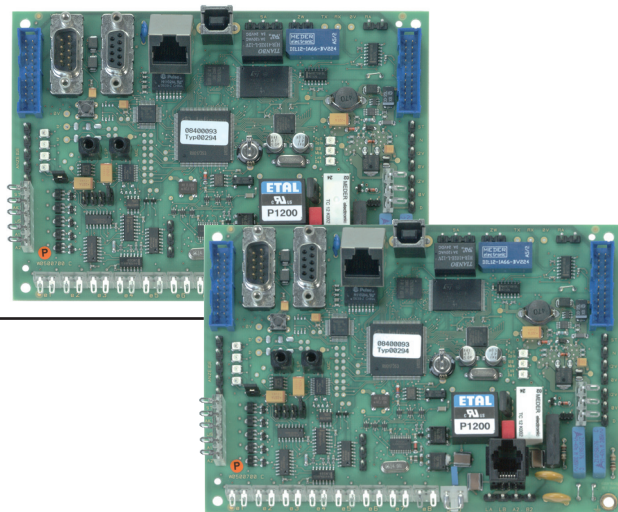


DS 6700 / DS 6750

Future solution for communication in security technology



The transmission devices DS 6700 / DS 6750 are used to transmit messages from hazard detection systems using public and private communication networks as well as an interface to remote systems, such as management systems linked via public or private networks.

Moreover, when used in compatible hazard detection panels, the devices allow remote service and remote diagnosis.

Connection to control panels

Use as integration module in combination with the control panels MB12, 561-MB24, 561-MB48 und 561-MB100:

- Programming of the control panel and of the transmission device conveniently via the integrated USB interface.
- Transmission of message texts to alarm receiving centers (ARC) for exact detector identification.
- Transmission of switching and access operations allows precise identification and the assignment to persons.
- Adaptation via the serial interface of the control panel.
- Serial connection allows 100 detector group inputs to be programmed from the control panel and 40 control outputs to be programmed to the control panel.
- Contact ID protocol for information transfer to compatible alarm receiving centers (only DS 6750).
- BUS-2 or I-BUS connection with a reduced range of functions for compatible control panel systems.
- Parallel interface (S1) for connection to external devices.

Features

- PSTN VdS 2465
- PSTN Telim
- PSTN voice transmission (dialler function)
- PSTN Contact ID*
- Ethernet IP, demand-actuated
- Ethernet IP, temporary dedicated line
- Ethernet IP, dedicated line
- e* Cityruf (alphanumeric or tone only)
- VdS 2465 GSM to GSM (in combination with RFW-3000 / RFW-4000)
- VdS 2465 GSM to ISDN V.110 (in combination with RFW-3000 / RFW-4000)
- GPRS IP connections and e-mail transmission via GPRS (in combination with RFW-3000 / RFW-4000)
- Demand-actuated and continuous IP connections encrypted and unencrypted
- TCP/IP connections with AES or Chiasmus* encryption ciphering method
- Remote control options using voice and telephone keypad (DTMF recognition)*

The IP migration solution

In the event of discontinuation or migration of classic transmission paths (e.g. ISDN), there are often not enough or no future solutions for a secure alarm transmission to alarm receiving centres available. The expanded BUS-2 connection feature of the DS 6750 presents the solution for central control units to send alarms via IP networks. Via BUS-2 adapted control panels using the DS 6750, demand-actuated or dedicated IP connections to alarm receiving centers can be established in accordance with VdS guidelines.

First class all-round protection

Several online and demand-actuated connections can be established and maintained simultaneously to different alarm receiving centers.

In addition, demand-actuated connections can be established for transmission of messages, without the need to interrupt already existing connections. Both the PSTN (public switched telephone network) and Ethernet are used as transmission networks.

Use within private branch exchange systems is also possible. In combination with the RFW-3000 / RFW-4000, the transmission devices can connect to the internet via the GSM service GPRS (General Packet Radio Service) and establish online and demand-controlled IP connections to an alarm receiving center. These transmission paths also allow emails to be sent.

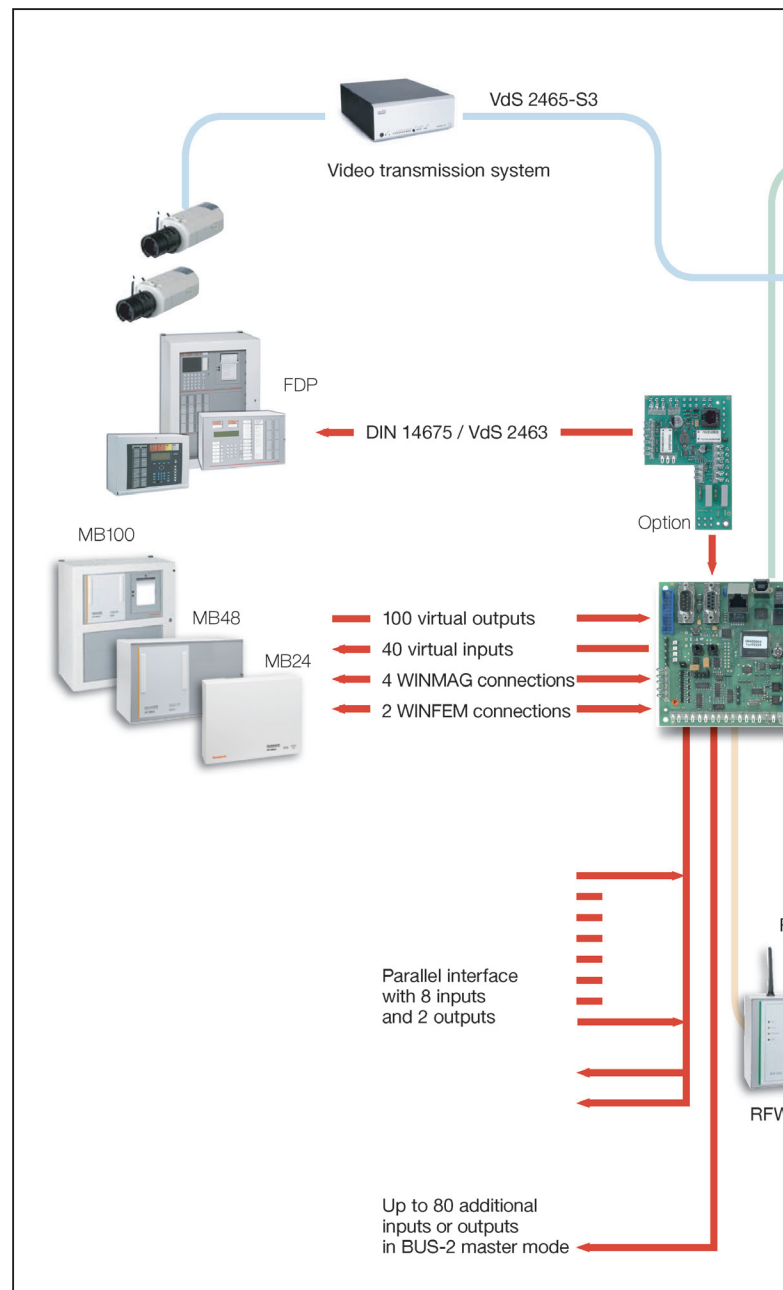
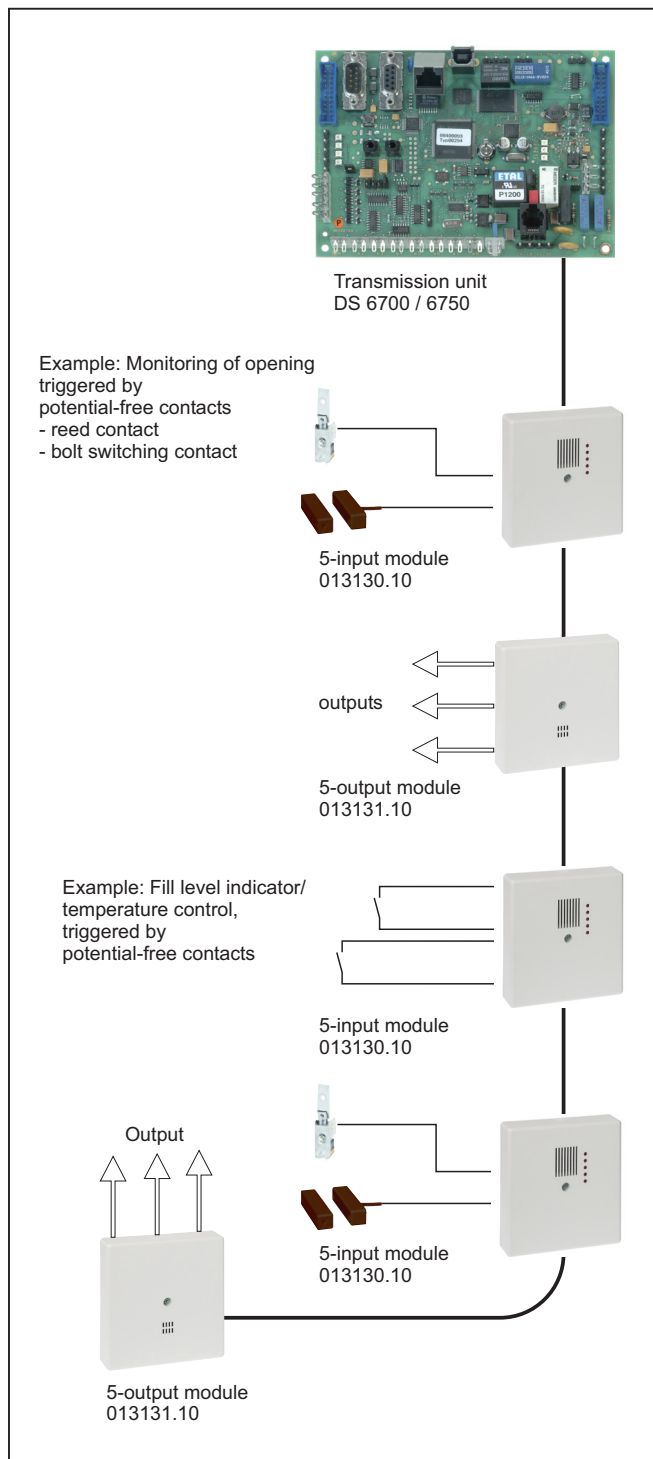
- Voice transmission and DTMF recognition without additional extensions in the basic package
- Coupling to digital video transmission systems via VdS 2465-S3 (German standard for adapting alarm systems to video transmission systems)*
- For stand-alone use: up to 80 additional inputs or outputs can be implemented
- NTP functionality: DS 6750 supports time synchronization through requesting of a NTP server
- Suitable for use in various bank networks
- Modem function for remote access to the connected control panel
- Communication with Smartphone App possible (iOS and Android operating system 2.1 or later)
- Comprehensive remote service and remote diagnosis options
- For use in fire alarm systems according to DIN EN 54-21: 2006

* only DS 6750

Up to 80 additional detection inputs or control outputs for stand-alone use

In principle, the 8 individually configurable inputs of the transmission devices DS 6700 / DS 6750 can be used independently of a control panel connection. In addition, 2 control outputs are available, which can be remote controlled from an alarm receiving center (ARC) or a telephone or a mobile telephone (DS 6750). If the number of available inputs and outputs is insufficient, the stand-alone unit can be expanded with up to 80 additional inputs or outputs.

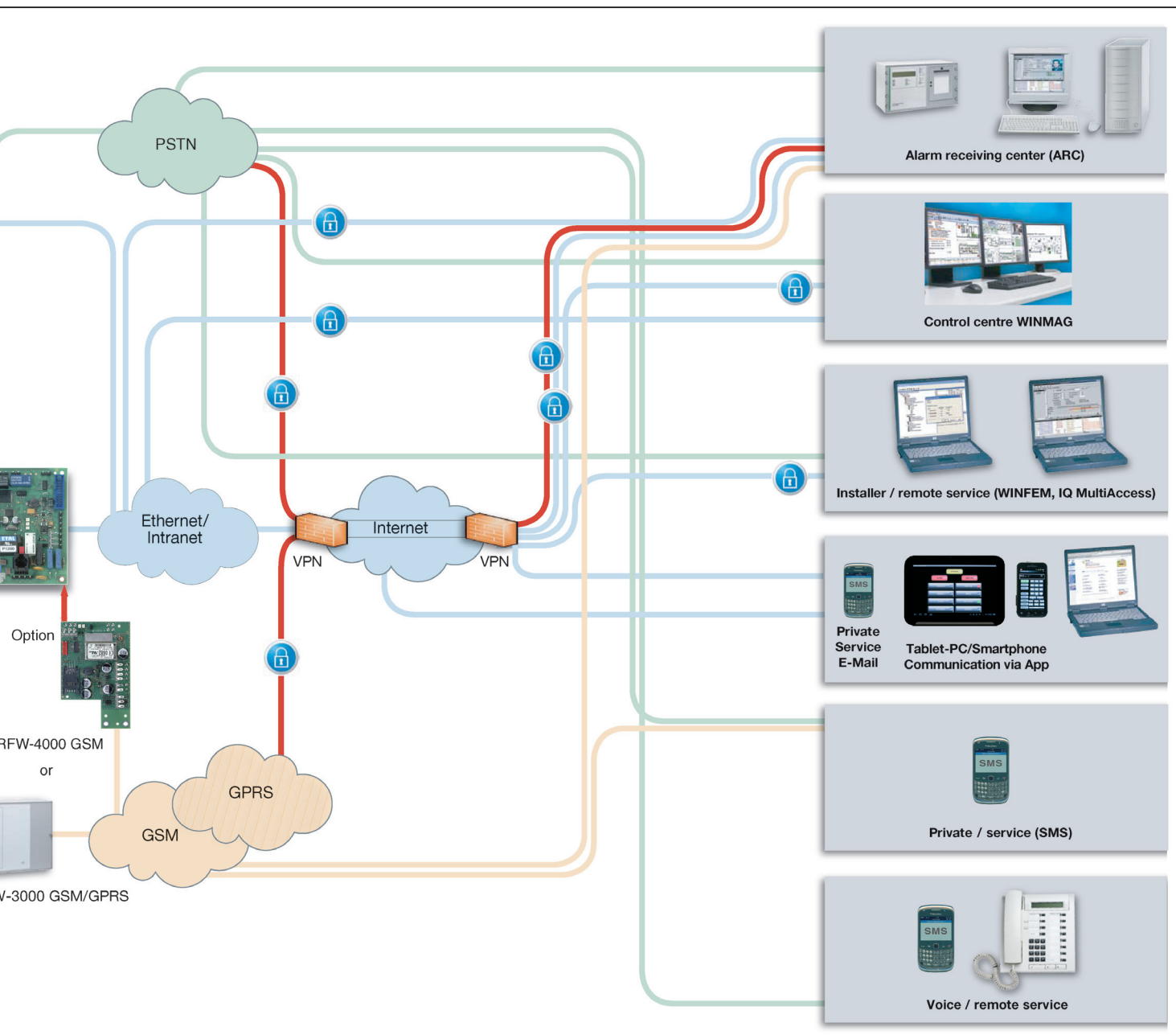
With that configuration, the DS 6750's direct WINMAG activation of the standalone unit can be used, that is to say the I/O points on the inputs are available to the WINMAG control center for corresponding alarm processing.



On-board voice transmission

The transmission devices are equipped with an integrated dialing device with voice transmission, because the operator requested frequent plain text information about the status of the property. That provides further advantages for the transmission devices DS 6700 / DS 6750, there are:

- Voice transmission without the need for additional hardware and without additional investment
- Integrated DTMF recognition allows remote inquiries and remote control functions (only DS 6750)
- Intuitive, voice-controlled user guidance, similar to those used in electronic call answering services.
- Control, status inquiry and receiving of messages is possible from landline connection and mobile telephone.
- Voice recording using a headset enables the recording of individual voice messages by the installer.
- Back up and recording voice messages via WINFEM Advanced.
- Changes to a voice message can be made quickly on-site.



Use in fire alarm systems

The optional ATS adapter for fire panels provides an interface for fire alarm systems according to DIN 14675, appendix B and VdS 2463. Permits the transmission of fire and fault notifications from fire alarm panels.

- Interface according to DIN 14675 and VdS 2463
- Inputs for transmission of alarm indications from fire alarm system
- For use in fire alarm systems with 12V DC or 24V DC power supply voltage

Connection to alarm receiving centers

As a multi - functional platform, the DS 6700 / DS 6750 offers a large number of options:

- Transmission of alarm and status informations
- Routine and test messages
- Dedicated or demand-actuated connections
- VdS 2465 protocol for dedicated and demand actuated IP connections

- VdS 2465 or TELIM protocol for demand-actuated connections
- Messages in plain text or as verbal voice message
- Parallel or additionally, message transmission as SMS and/or e-message
- Email via Ethernet or via PSTN internet dial-up connection by means of the PPP protocol
- Several connections operate in parallel and simultaneously via PSTN and IP networks (optionally GPRS)
- For use as integration module or in stand-alone mode

On-the-road transmission technology

In stand-alone mode, a "GPS mouse" can be connected. This allows the device to be used for mobile security and monitoring tasks, such as the monitoring of transport of value and container transports or other mobile installations.

The transmission of messages and of additional GPS coordinates for determining the location is done in mobile systems via the RFW-3000 or RFW-4000 transmission systems to the alarm receiving center using GSM networks.

Use of IP networks

Both transmission devices are especially suited for using private or public IP data networks. For this, the devices are equipped with an Ethernet interface that allows a connection to IP networks via flexible configuration options, such as Ethernet autosensing, DHCP, etc.

Companies with subsidiary structure, offices and financial institutes are moving traditional transmission paths such as X.25 increasingly to their in-house or public IP infrastructure. Several sites/subsidiaries are usually integrated into one monitoring and security concept.

Alarm and information transmission via existing IP networks provides economic advantages, since the existing in-house or public IP infrastructures can be efficiently used for alarm transmission. Thus, the transmission devices DS 6700 / DS 6750 allows alarm transmission systems to be implemented that are conform to the guidelines (VdS) and cost-effective as well.

Optional application by means of Smartphone or Tablet PC in connection with an App (application program for mobile devices). A communication can be established to the transmission device in order to retrieve conditions of the inputs of the transmission device, as well as also the connected panel. In addition, programmed remote control functions can be performed.

Secure transmission "with key" only

The transmission devices set standards in data encryption and data transmission security. Both transmission devices have extensive security mechanisms that guarantee secure and tamperproof data exchange via public IP networks.

The encryption method used allows a "VPN" (virtual private network) to be implemented, whereby only users who are in possession of a matching key can use the data. Thus, one or several secure "online connection(s)" can be established via any IP network. The transmission device constantly checks the availability and quality of the connection.

In the DS 6700 / DS 6750, the following systems are ideally combined:

- the "new" medium IP network
- the "established" PSTN transmission paths and
- GSM/GPRS data transmission (optionally with RFW-3000/ RFW-4000) as a on-line connection to the alarm receiving centre.

The two latter transmission paths are available as backup when the IP connection breaks down and can be used as isolated transmission paths for installing the VPN key.

Synergy through video integration

Up to 2 video panels can be connected via TCP/IP (Ethernet) to the transmission device DS 6750. Communication takes place by means of the VdS-compliant protocol VdS 2465-S3 via TCP/IP.

By connecting the intrusion detection and the video panel, a functional and cross-system combination of the two systems is achieved:

- Cross-system interactions
- Control of the video panel through operating states of the intrusion detection panel
- Display of names in the video picture when access and switching operations take place

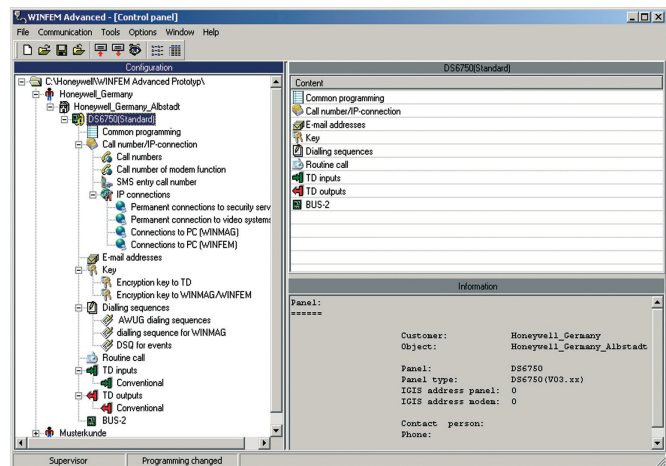
- Live monitoring of operating and switching processes
- Alarm pretest for informative assessment of the situation
- Option of video-based services
- Automated guard patrols
- Analysis of events and system states of the video panel in the intrusion detection panel

Remote service secures competitive advantages

Apart from the alarm transmission, integration into a hazard detection system allows extensive remote service functions.

The configuration of the transmission device and of the hazard detection system is effected by the configuration tool "WINFEM Advanced". All parameters can be changed or initialised locally or remote via PSTN connection or IP networks. In connection with a RFW-3000 or RFW-4000 remote service via GPRS is possible.

Access to data of the hazard detection system via "IQ System-Control" or "IQ MultiAccess" is also possible via PSTN and IP networks, (only "IQ SystemControl" DS 6700).





Integrated protocol analyzer for system states and linked networks

With increasing complexity of the technical systems, the test and troubleshooting options become more and more important. The extensive, integrated service and diagnostic tools of the Honeywell transmission devices allow an efficient and cost-effective inspection and error analysis of the overall system and the connected transmission paths via:

- Simulation of the triggering of detector group inputs and of the operating states
- Checking of the dialing sequence
- Controlled test dial-up of a redundant connection
- Simulation of a failure or breakdown of one or more transmission paths
- Information polling via the connected IP network
- Simulation of the switching outputs
- Examine of the states of the detector group inputs and outputs
- Request of system information
- Integrated listen-in amplifier (via headset/active loudspeaker)

Ordering information

Item No.	Description
057864	<p>DS 6700 PSTN/IP transmission device</p> <p> Approval G111803</p> <p>Information transmission via analog telephone network and Ethernet (TCP/IP). Interface for connection to GSM networks (in combination with RFW 4000 / RFW 3000). TAE connection cable included.</p>
057865	<p>DS 6750 PSTN/IP transmission device for WINMAG, IQMA, Contact - ID</p> <p> Approval G111803</p> <p>Information transfer via analog telephone network and Ethernet (TCP/IP). Interface for connection to GSM networks (in combination with RFW 4000 / RFW 3000). TAE connection cable included.</p>
057631	<p>Additional housing for ZG 0 transmission device</p> <p>Housing with a hinged door made of 2mm steel paneling, powder coated, gray-white (similar to RAL 9002). Dimensions (W x H x D) 230 x 155 x 90 mm. No room for emergency power supply.</p>
057632	<p>Additional housing for ZG 1 transmission device</p> <p>Housing with a hinged door made of 2mm steel paneling, powder coated, gray-white (similar to RAL 9002). Dimensions (W x H x D) 300 x 186 x 125 mm. Room for emergency power supply item no. 057530.10 and rechargeable battery item no. 018002.10.</p>

Options / Accessories

Item No.	Description
057575	<p>RFW-3000 GSM/GPRS transmission system</p> <p>GSM/GPRS information transmission system for digital transmission systems DS 6700 and DS 6750. Room for emergency power supply, e.g. item no. 057530.10 or 010686.10 and rechargeable battery. For setting up a complete transmission system, a DS 6700 or DS 6750 is required.</p>
057590	<p>RFW-4000 GSM</p> <p>Redundant radio path, system with GSM/GPRS terminal. GSM and GPRS information transmission system for transmission devices DS 6700, DS 6750.</p>
057550	ADO8/TAE6/IAE Covering case
057591	GSM exterior antenna with 5 m cable
057592	GSM cable 5 m
057655	ATS adapter for fire panels
013498	<p>WINFEM "Advanced"</p> <p>Programming software</p> <p>Honeywell MB-Remote Control App for Android (Free download from Google play)</p> <p>Honeywell MB-Remote Control App for iOS (Free download from App Store)</p> <p>Android, iOS, Google Play, Apple and App Store are registered trademarks of the corresponding titleholders.</p>

Technical specifications

Rated operating voltage	+12 V DC
Operating voltage range	10.5 V DC to 15 V DC
Current consumption:	
Standby mode (no Ethernet / PSTN active)	135 mA / 155 mA
Standby mode (Ethernet active / PSTN active)	150 mA / 170 mA
Contact load relay	12 V DC / 100 mA
Parallel indicators	+12 V DC / Ri = 150 Ohm
Inputs	max. 15 V DC
Environmental class acc. to VdS	II
Operating temperature range	-10 °C to +50 °C
Storage temperature range	-25 to +70 °C
Circuit board dimensions (W x H)	158 x 112 mm
ZG 0 housing dimensions (W x H x D)	230 x 150 x 90 mm
ZG 1 housing dimensions (W x H x D)	200 x 186 x 125 mm
Housing color	gray-white (similar to RAL 9002)
Approvals	VdS approval G111803 Conforms with DIN EN 54-21: 2006 - Financial information technology for use in the area of the German Sparkasse - VR networks for use in the area of the German Volksbanken and Raiffeisenbanken

For further data, please refer to the product catalogue.

Honeywell Security Group

Novar GmbH
Johannes-Mauthe-Strasse 14
72458 Albstadt, Germany
Phone: +49 (0) 74 31 / 801-0
Fax: +49 (0) 74 31 / 801-12 20
www.honeywell.com/security/de
info.security.de@honeywell.com

P20328-22-0G0-02
06. 2013 · Subject to change without notice.
©2013 Honeywell International Inc.

Honeywell