



PSB 0004 A Power Supply

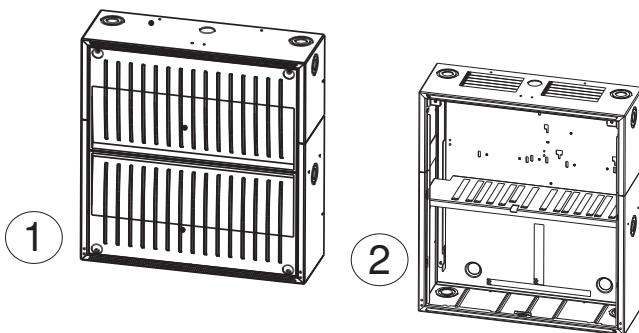


The PSB 0004 A Power Supply housing has enough space for up to four 12 V/28 Ah batteries. Alternatively, a Power Supply Bracket and a Power Distributor and/or a Power Supply Bracket and a Mounting Plate can be installed instead of the two upper batteries.

- 4 x 12 V/28 Ah batteries and 1 FPO-5000-PSB1 Power Supply Bracket
- 2 x 12 V/28 Ah batteries and 1 FPO-5000-PSB1 Power Supply Bracket
- 2 x 12 V/28 Ah batteries and 1 FPO-5000-PSB1 Power Supply Bracket and 1 HPD 0000 A Power Distributor
- 2 x 12 V/28 Ah batteries and 1 FPO-5000-PSB1 Power Supply Bracket and 1 HMP 0001 A Mounting Plate Short

Note With the HMP 0001 A Mounting Plate, the mounting bore holes for the components must be drilled on-site by the customer.

System Overview



Pos. Description

- | | |
|---|-----------------------------|
| 1 | Housing |
| 2 | Housing without front panel |

Parts Included

Pos. Description

- | | |
|---|---------|
| 1 | Housing |
|---|---------|

Ordering Information

PSB 0004 A Power Supply
for surface-mounting, flush-mounting or installation in 482.6 mm (19") racks

PSB 0004 A

Installation/Configuration Notes

- Equipment variants:

Americas:
Bosch Security Systems, Inc.
130 Perinton Parkway
Fairport, New York, 14450, USA
Phone: +1 800 289 0096
Fax: +1 585 223 9180
security.sales@us.bosch.com
www.boschsecurity.us

Europe, Middle East, Africa:
Bosch Security Systems B.V.
P.O. Box 80002
5600 JB Eindhoven, The Netherlands
Phone: + 31 40 2577 284
Fax: +31 40 2577 330
emea.securitysystems@bosch.com
www.boschsecurity.com

Asia-Pacific:
Robert Bosch (SEA) Pte Ltd, Security Systems
11 Bishan Street 21
Singapore 573943
Phone: +65 6258 5511
Fax: +65 6571 2698
apr.securitysystems@bosch.com
www.boschsecurity.com

Represented by