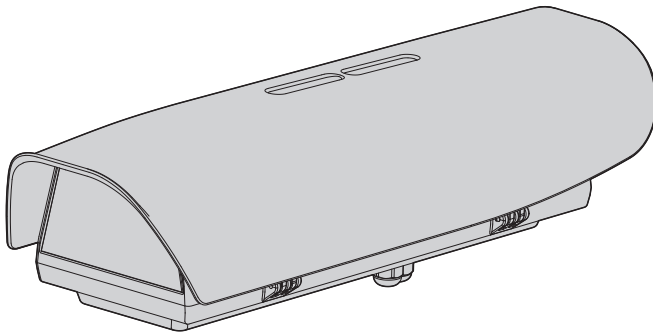




# HOV

## Side opening aluminium camera housing



**EN** English - Instructions manual

**IT** Italiano - Manuale di istruzioni

**FR** Français - Manuel d'instructions

**DE** Deutsch - Bedienungsanleitung

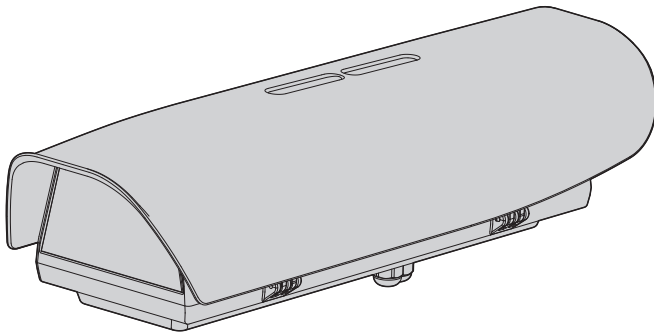
**RU** Русский - Руководство по эксплуатации





# HOV

Side opening aluminium camera housing



# Contents

<b>1 About this manual .....</b>	<b>3</b>
1.1 Typographical conventions.....	3
<b>2 Notes on copyright and information on trademarks.....</b>	<b>3</b>
<b>3 Safety rules.....</b>	<b>3</b>
<b>4 Identification.....</b>	<b>4</b>
4.1 Product description and type designation.....	4
4.2 Product markings .....	4
<b>5 Preparing the product for use .....</b>	<b>5</b>
5.3 Unpacking.....	5
5.4 Contents.....	5
5.5 Safely disposing of packaging material.....	5
5.6 Preparatory work before installation .....	5
5.6.1 Attaching the bracket.....	5
<b>6 Installation .....</b>	<b>6</b>
6.1 How to open the housing.....	6
6.2 How to install the camera.....	6
6.3 Board description .....	7
6.4 Connection of the power supply line.....	7
6.4.1 Type of cable .....	7
6.5 Installation of the version with double filter for air renewal.....	8
6.6 Installation of the version with wiper.....	8
6.7 Desiccant bag.....	8
<b>7 Accessories .....</b>	<b>9</b>
7.1 Heater.....	9
7.1.1 Heater installation.....	9
7.2 Camera power supply .....	9
7.2.1 Camera power supply installation.....	9
7.3 Blower.....	10
7.3.1 Blower installation.....	10
<b>8 Instructions for normal operation.....</b>	<b>11</b>
<b>9 Maintaining and cleaning .....</b>	<b>11</b>
9.1 Window and plastic cover cleaning .....	11
<b>10 Disposal of waste materials.....</b>	<b>11</b>
<b>11 Technical data .....</b>	<b>12</b>
11.1 General.....	12
11.2 Mechanical.....	12
11.3 Electrical .....	12
11.4 Environment.....	12
11.5 Certifications.....	12
<b>12 Technical drawings .....</b>	<b>13</b>

# 1 About this manual

Before installing and using this unit, please read this manual carefully. Be sure to keep it handy for later reference.

## 1.1 Typographical conventions



### DANGER!

High level hazard.

Risk of electric shock. Disconnect the power supply before proceeding with any operation, unless indicated otherwise.



### CAUTION!

Medium level hazard.

This operation is very important for the system to function properly. Please read the procedure described very carefully and carry it out as instructed.



### INFO

Description of system specifications.

We recommend reading this part carefully in order to understand the subsequent stages.

## 2 Notes on copyright and information on trademarks

The quoted names of products or companies are trademarks or registered trademarks.

## 3 Safety rules



**CAUTION!** The device must be installed only and exclusively by qualified technical personnel.



**CAUTION!** The electrical system to which the unit is connected must be equipped with a automatic bipolar circuit breaker. The circuit breaker for main supply voltage phase units must have a level of intervention of 20A max. The circuit breaker for low voltage units must have a level of intervention of 6A max. This circuit breaker must be of the Listed type. The minimum distance between the contacts must be 3mm (0.1 in). The circuit breaker must be provided with protection against the fault current towards the ground (differential) and the overcurrent (magnetothermal).

- The manufacturer declines all responsibility for any damage caused by an improper use of the appliances mentioned in this manual. Furthermore, the manufacturer reserves the right to modify its contents without any prior notice. The documentation contained in this manual has been collected with great care. The manufacturer, however, cannot take any liability for its use. The same thing can be said for any person or company involved in the creation and production of this manual.
- Before starting any operation, make sure the power supply is disconnected.
- Do not use cables that seem worn or old.
- Never, under any circumstances, make any changes or connections that are not shown in this handbook. Improper use of the appliance can cause serious hazards, risking the safety of personnel and of the installation.
- Use only original spare parts. Non-original spare parts could cause fire, electrical discharge or other hazards.
- Before proceeding with installation, check the supplied material to make sure it corresponds to the order specification by examining the identification labels (4.2 Product markings, page 4).

- This device was designed to be permanently installed on a building or on a suitable structure. The device must be installed permanently before any operation.
- When installing the device, comply with all the national standards.
- Installation category (also called Overvoltage Category) specifies the level of mains voltage surges that the equipment will be subjected to. The category depends upon the location of the equipment, and on any external surge protection provided. Equipment in an industrial environment, directly connected to major feeders/short branch circuits, is subjected to Installation Category III. If this is the case, a reduction to Installation Category II is required. This can be achieved by use of an insulating transformer with an earthed screen between primary and secondary, or by fitting listed Surge Protective Devices (SPDs) from live to neutral and from neutral to earth. Listed SPDs shall be designed for repeated limiting of transient voltage surges, suitable rated for operating voltage and designated as follows: Type 2 (Permanently connected SPDs intended for installation on the load side of the service equipment overcurrent device); Nominal Discharge Current (In) 20kA min. For example: FERRAZ SHAWMUT, STT2240SPG-CN, STT2BL240SPG-CN rated 120Vac/240Vac, (In=20kA). Maximum distance between installation and reduction is 5m.
- Any device which could be installed inside the product must comply with the current safety standards.
- If the installation is NEMA TYPE 4X, the installer must replace the cable glands of the product with NEMA TYPE 4X cable glands.
- For all connections, use cables that are able to withstand temperatures of at least 75°C (167°F).
- The product is designed to house only cameras that are properly certified (7W max).
- A disconnecting device, readily and easily accessible, must be incorporated in the electrical system of the building for rapid intervention.
- To connect the power supply line use the appropriate junction-box (UPTJBUL). For further information, refer to the product use and installation manual.
- Use Listed copper tube crimping lugs for the connection of the network conductors to the terminals. The copper tube crimping lugs must be suitable for the type of installation (from -20°C (-4°F) a +80°C (+176°F) min., V-0). Copper tube crimping lugs examples: RP, BP o YP (Cembre).

## 4 Identification

### 4.1 Product description and type designation

Robust aluminium housing designed to simplify the installation and service and guarantee total protection against all environmental conditions.

Its size makes it ideal for housing various combinations of standard cameras with fixed or compact zoom lenses.

Very easy to install thanks to the side opening system that allows the full access to the camera, lenses and all internal connections.

The numerous available accessories, like heater, camera power supply, blower and air filter, wiper and washer can satisfy any installation requirement.

### 4.2 Product markings

See the label attached to the product.

## 5 Preparing the product for use



**Any change that is not expressly approved by the manufacturer will invalidate the guarantee.**

### 5.3 Unpacking

When the product is delivered, make sure that the package is intact and that there are no signs that it has been dropped or scratched.

If there are obvious signs of damage, contact the supplier immediately.

Keep the packaging in case you need to send the product for repairs.

### 5.4 Contents

Check the contents to make sure they correspond with the list of materials as below:

- Housing
- Housing equipment:
  - Allen wrench
  - Spacers
  - Cable glands gaskets
  - Cable glands (x3)
  - Bolts and screws
  - Screws for camera
- Instructions manual
- Desiccant bag

## 5.5 Safely disposing of packaging material

The packaging material can all be recycled. The installer technician will be responsible for separating the material for disposal, and in any case for compliance with the legislation in force where the device is to be used.

When returning a faulty product we recommend using the original packaging for shipping.

## 5.6 Preparatory work before installation

### 5.6.1 Attaching the bracket



**The product must be fastened with suitable equipment. The fastening means must guarantee the mechanical seal when a force equal to at least 4 times the weight of the device is applied.**

## 6 Installation

### 6.1 How to open the housing

Loosen the 2 screws on the side, turn the cover and the upper half of the body about the opening hinge axis.

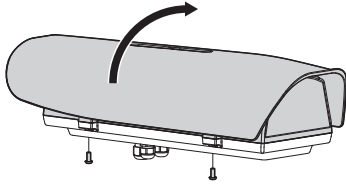


Fig. 1

**i** At the end of installation and cabling operations close the housing.

### 6.2 How to install the camera



**Power supply can be provided by the board supplied with the product. Make sure the voltage values are appropriate.**

Open the housing as described (6.1 How to open the housing, page 6).

Partially loosening the fastening screws (01).

Remove the internal slide (02) by sliding it until the holes coincide with the slide fastening screws.

Fasten the camera with the 1/4" screw (03). To position the camera and lens correctly, if necessary, use the supplied spacers. (04).

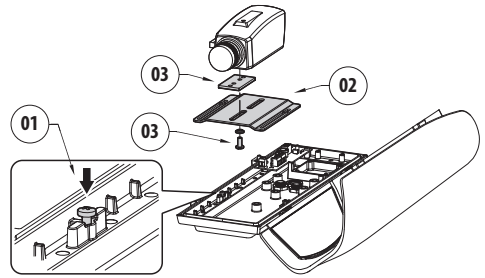


Fig. 2

Reposition the internal slide and tighten the screws that had been loosened previously.

Remove the conductors protective sheathing and connect them to terminal (J5, 6.3 Board description, page 7).

The camera's power supply cable conductors must be tied up with a cable tie next to the terminal. Keep the signalling and power supply cables separated from each other.



## 6.3 Board description

**⚠** Connect the safety earth to the relative terminal of the J1 connector.

**i** The board may appear different to that illustrated.

**i** Depending on the product version, the board may not be equipped with all functions.

BOARD DESCRIPTION	
Connector	Function
J1	Board power supply ( $V_{IN}$ ) <sup>1</sup>
J2	Auxiliary output ( $V_{OUT}$ ) <sup>2</sup>
J3	Heater power supply ( $V_{OUT}$ )
J4	Tamper switch contacts <sup>3</sup>
J5	Camera power supply ( $V_{OUT}$ ) <sup>4</sup>
J7	Power supply connector/jumper <sup>5</sup>
J8	Fan power supply ( $V_{OUT}$ )
SW1	Tamper switch <sup>3</sup>

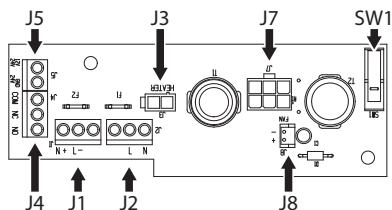
**Tab. 1** <sup>1</sup> From 100Vac a 240Vac, 24Vac o12Vdc.

<sup>2</sup> Same voltage applied to power supply terminal of the board (J1).

<sup>3</sup> Optional.

<sup>4</sup> Different alternatives are available depending on the version.  $V_{OUT} = 12Vdc$  o  $V_{OUT} = 24Vac$ , in relation to the type of power supply installed (7.2.1 Camera power supply installation, page 9).  $V_{OUT} = V_{IN}$ , only for housings powered in 12Vdc or 24Vac, with jumper inserted (J7).

<sup>5</sup> To install a power supply in 12Vdc or 24Vac refer to the relative chapter (7.2.1 Camera power supply installation, page 9).



**Fig. 3**

## 6.4 Connection of the power supply line

**⚠** Earth cable should be about 10mm longer than the other two, so that it will not be disconnected accidentally if pulled.

Insert the cables for the connection to the power supply line inside the housing through the cable glands. The cable glands are suitable for conductors with diameters of between 5mm and 10mm. The section of the cable inside the housing must be sufficiently long to allow connection. Suitably lock the cable glands.

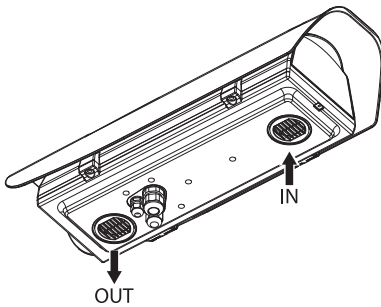
Remove the conductors protective sheathing and connect them to terminal (J1, 6.3 Board description, page 7).

### 6.4.1 Type of cable

The cable used for the connection to the power supply line must be suitable for the intended use. Comply with the current national standards on electrical installations.

## 6.5 Installation of the version with double filter for air renewal

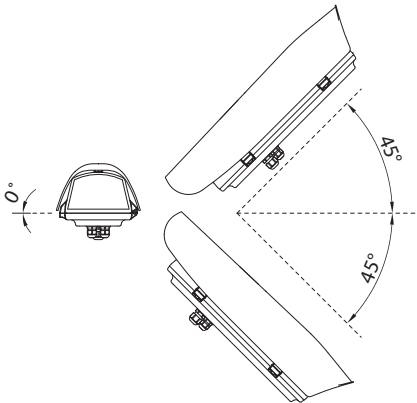
**i** During installation pay attention to the orientation of the air inlet filter fins.



**Fig. 4**

Depending on the angle of inclination of the housing, the orientation of the filter fins must prevent water penetrating in case of rain:

To guarantee the weatherproof, install the housing on the support following the inclination limits as shown in the picture.

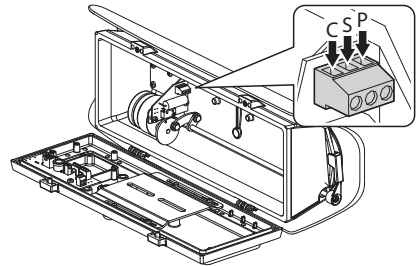


**Fig. 5** Maximum tilt of the transversal axis: 0°.  
Maximum tilt of the longitudinal axis:  $\pm 45^\circ$ .

## 6.6 Installation of the version with wiper

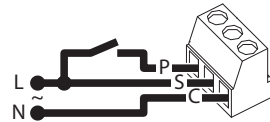
Open the housing as described (6.1 How to open the housing, page 6).

Identify the terminal on the wiper board.



**Fig. 6**

Connect the wiper board to the power supply mains as shown in the figure.



**Fig. 7**

Pressing the button activates the wiper. When the button is released the wiper blade will return to the rest position.

If you have a receiver with the Wiper control function, connect the SW, PER and COM terminals respectively to terminals S, P and C of the board.

## 6.7 Desiccant bag

Take the desiccant salt bag out of its pack and insert it into the product.

# 7 Accessories

**i** For further details on configuration and use, refer to the relative manual.

## 7.1 Heater

### 7.1.1 Heater installation

Open the housing as described (6.1 How to open the housing, page 6).

Fix the heater kit to the prearranged points on the body of the housing.

The pre-wired heating element (01) should be positioned between the 2 dissipators (02) before attachment to ensure contact and hence guarantee correct heat transmission.

Pass the heating wiring under the fixing slide of the camera.

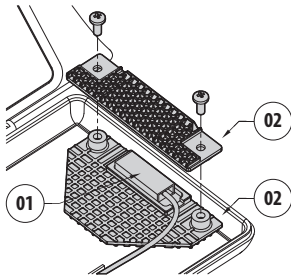


Fig. 8

At the end of installation, connect the wiring to the terminal (power supply connector, 6.3 Board description, page 7).

Reposition the internal slide and tighten the screws that had been loosened previously.

## 7.2 Camera power supply

### 7.2.1 Camera power supply installation

**!** Not usable in housings with wiper device installed.

**!** Pay attention to the voltage value used when the circuit is powered. Depending on requirements use the correct power supply kit.

There are 2 types of camera power supply depending on requirements.

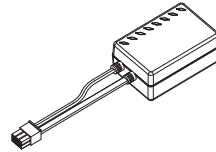


Fig. 9  $V_{IN}$  from 100Vac a 240Vac,  $V_{OUT}$  12Vdc.

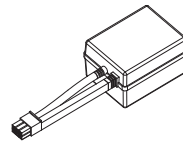


Fig. 10  $V_{IN}$  230Vac,  $V_{OUT}$  24Vac.

Open the housing as described (6.1 How to open the housing, page 6).

Fix the support bracket (02) using the screw (01). Place the power supply (03) on the support bracket. Secure it all with the screws (04) and the corner fixing bracket.

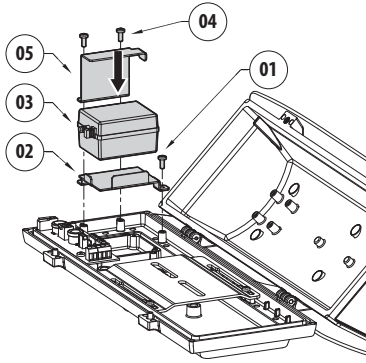


Fig. 11

Plug the multipolar female connector into the corresponding male connector (J7, 6.3 Board description, page 7).

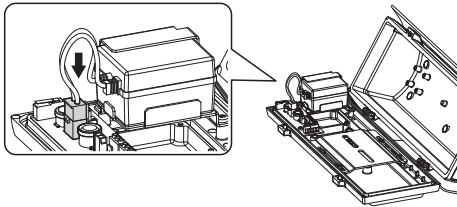


Fig. 12

## 7.3 Blower

### 7.3.1 Blower installation



**Not usable in versions with double filter for air renewal and wiper.**



**Pay attention to the voltage value used when the circuit is powered. Depending on requirements use the correct power supply kit.**



**The blower kit should be assembled according to the instructions to ensure a correct air circulation inside the housing.**

Open the housing as described (6.1 How to open the housing, page 6).

Fix the blower using the corner bracket and screws.

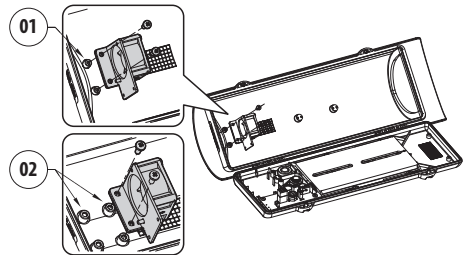


Fig. 13

Plug the multipolar female connector into the corresponding male connector (J8, 6.3 Board description, page 7).

## 8 Instructions for normal operation

---



**Do not use the wiper when the outside temperature is below 0°C or in case of ice.**

---

## 9 Maintaining and cleaning

---



**Before doing any technical work on the device, disconnect the power supply.**

---

### 9.1 Window and plastic cover cleaning

---



**Avoid ethyl alcohol, solvents, hydrogenated hydrocarbide, strong acid and alkali. Such products may irreparably damage the surface.**

---

We recommend using a soft cloth with neutral soaps diluted with water or specific products to clean the glasses lenses.

## 10 Disposal of waste materials

---



**This symbol mark and recycle system are applied only to EU countries and not applied to the countries in the other area of the world.**

---

Your product is designed and manufactured with high quality materials and components which can be recycled and reused.

This symbol means that electrical and electronic equipment, at their end-of-life, should be disposed of separately from your household waste.

Please dispose of this equipment at your local Community waste collection or Recycling centre.

In the European Union there are separate collection systems for used electrical and electronic products.

# 11 Technical data

## 11.1 General

Constructed from aluminium

Sunshield in ABS

Epoxy polyester powder painting, RAL9002 colour

Stainless steel external screws

## 11.2 Mechanical

Cable glands: 3xM16

Glass window (WxH): 118x75mm (4.6x2.7in)

Internal usable area (WxH): 100x70mm (3.9x2.7in)

Internal usable length (with or without accessories):  
250mm (9.8in)

Unit weight: 3kg (6.6lb)

## 11.3 Electrical

Power supply/Current consumption (empty version):

- From 12Vdc up to 24Vdc, 1A max
- From 12Vac up to 24Vac, 1A max, 50/60Hz
- From 120Vac up to 230Vac, 400mA max, 50/60Hz

Power supply/Current consumption (version with heater, Ton 15°C±3°C (59°F ±5°F), Toff 22°C±3°C (77°F±5°F)):

- From 12Vdc up to 24Vdc, 3A max
- From 12Vac up to 24Vac, 3A max, 50/60Hz
- From 120Vac up to 230Vac, 400mA max, 50/60Hz

Power supply/Current consumption (version with heater fan assistant, continuous duty):

- 12Vdc, 400mA max
- 24Vac, 200mA max, 50/60Hz
- From 100Vac up to 240Vac, 40mA max, 50/60Hz (with wide-range power supply)

Power supply/Current consumption (version with blower and thermostat for models with double filter for air renewal, Ton 35°C±3°C (95°F±5°F), Toff 20°C±3°C (71°F±5°F)):

- 12Vdc, 400mA max
- 24Vac, 200mA max, 50/60Hz

Power supply/Current consumption (version with integrated wiper):

- 24Vac, 1.85A max, 50/60Hz
- 230Vac, 40mA max, 50/60Hz

Camera power supply:

- $V_{IN}$  from 100Vac up to 240Vac, 50/60Hz  
 $V_{OUT}$  12Vdc, 1A
- $V_{IN}$  230Vac, 50/60Hz  
 $V_{OUT}$  24Vac, 400mA, 50/60Hz

## 11.4 Environment

Indoor/Outdoor

Operating temperature (with heater): From -20°C (-4°F) a +60°C (140°F)

Salty fog resistance, to 1000 hours (ISO9227)

## 11.5 Certifications

Electrical safety (CE): EN60950-1

Electromagnetic compatibility (CE): EN50130-4, EN61000-6-3

Outdoor installation (CE): EN60950-22, IEC 60950-22

IP protection degree: EN60529

- IP66/IP67 (with cable glands)
- IP66/IP67 (with special gaskets and bracket with internal cable channel)
- IP55 (with bracket with internal cable channel)
- IP44 (with double filter for air renewal)

UL certification: cULus Listed, TYPE 4X (except for versions with double filter for the air exchange, HOV32K1A018, HOV32K2A016, HOV32K2A017, HOV32K2A147, and the version with wiper 230Vac, HOV32K1A100)

EAC certification

# 12 Technical drawings

**i** The dimensions of the drawings are in millimetres.

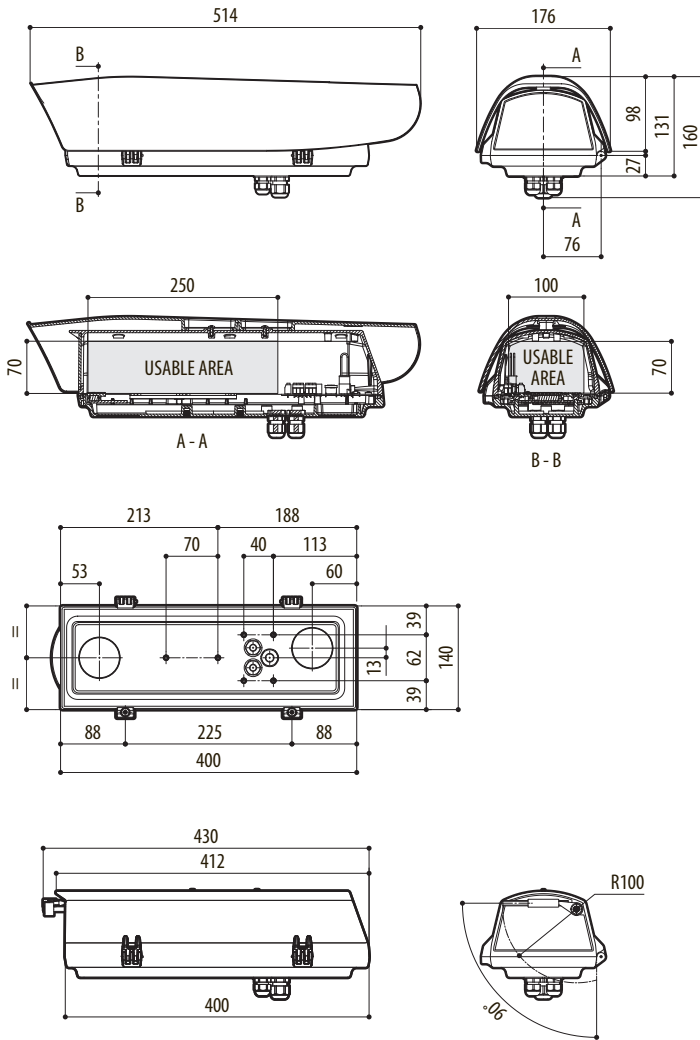


Fig. 14 HOV.

**Headquarters Italy** Videotec S.p.A.

Via Friuli, 6 - I-36015 Schio (VI) - Italy

Tel. +39 0445 697411 - Fax +39 0445 697414

Email: [info@videotec.com](mailto:info@videotec.com)

**Asia Pacific** Videotec (HK) Ltd

Flat 8, 19/F. On Dak Industrial Building, No. 2-6 Wah Sing Street

Kwai Chung, New Territories - Hong Kong

Tel. +852 2333 0601 - Fax +852 2311 0026

Email: [info.hk@videotec.com](mailto:info.hk@videotec.com)

**France** Videotec France SARL

Immeuble Le Montreal, 19bis Avenue du Québec, ZA de Courtaboeuf  
91140 Villebon sur Yvette - France

Tel. +33 1 60491816 - Fax +33 1 69284736

Email: [info.fr@videotec.com](mailto:info.fr@videotec.com)

**Americas** Videotec Security, Inc.

Gateway Industrial Park, 35 Gateway Drive, Suite 100  
Plattsburgh, NY 12901 - U.S.A.

Tel. +1 518 825 0020 - Fax +1 518 825 0022

Email: [info.usa@videotec.com](mailto:info.usa@videotec.com) - [www.videotec.us](http://www.videotec.us)



[www.videotec.com](http://www.videotec.com)

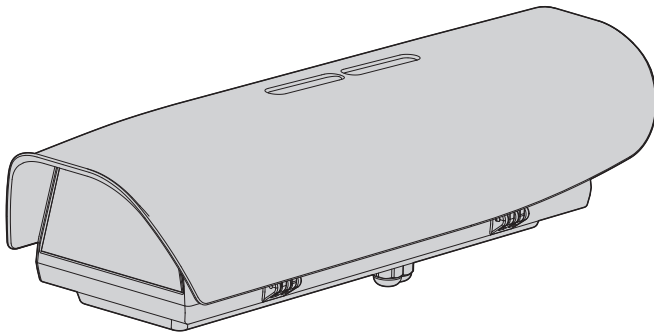
MNVCHOV32\_1511\_EN





# HOV

**Custodia per telecamera in alluminio ad apertura laterale**



# Sommario

<b>1 Informazioni sul presente manuale .....</b>	<b>3</b>
1.1 Convenzioni tipografiche .....	3
<b>2 Note sul copyright e informazioni sui marchi commerciali.....</b>	<b>3</b>
<b>3 Norme di sicurezza .....</b>	<b>3</b>
<b>4 Identificazione .....</b>	<b>4</b>
4.1 Descrizione e designazione del prodotto.....	4
4.2 Marcatura del prodotto .....	4
<b>5 Preparazione del prodotto per l'utilizzo.....</b>	<b>5</b>
5.3 Disimballaggio.....	5
5.4 Contenuto .....	5
5.5 Smaltimento in sicurezza dei materiali di imballaggio.....	5
5.6 Lavoro preparatorio prima dell'installazione.....	5
5.6.1 Fissaggio del supporto .....	5
<b>6 Installazione.....</b>	<b>6</b>
6.1 Apertura della custodia .....	6
6.2 Installazione della telecamera.....	6
6.3 Descrizione della scheda.....	7
6.4 Collegamento della linea di alimentazione.....	7
6.4.1 Tipo di cavo .....	7
6.5 Installazione della versione con doppio filtro per ricambio dell'aria.....	8
6.6 Installazione della versione con tergcristallo .....	8
6.7 Sacchetto disidratante.....	8
<b>7 Accessori.....</b>	<b>9</b>
7.1 Riscaldamento .....	9
7.1.1 Installazione del riscaldamento.....	9
7.2 Alimentatore per telecamera .....	9
7.2.1 Installazione dell'alimentatore per telecamera .....	9
7.3 Ventilatore .....	10
7.3.1 Installazione del ventilatore .....	10
<b>8 Istruzioni di funzionamento ordinario .....</b>	<b>11</b>
<b>9 Manutenzione e pulizia.....</b>	<b>11</b>
9.1 Pulizia del vetro e delle parti in plastica .....	11
<b>10 Smaltimento dei rifiuti .....</b>	<b>11</b>
<b>11 Dati tecnici .....</b>	<b>12</b>
11.1 Generale .....	12
11.2 Meccanica .....	12
11.3 Elettrico.....	12
11.4 Ambiente.....	12
11.5 Certificazioni .....	12
<b>12 Disegni tecnici .....</b>	<b>13</b>

# 1 Informazioni sul presente manuale

Prima di installare e utilizzare questa unità, leggere attentamente questo manuale. Conservare questo manuale a portata di mano come riferimento futuro.

## 1.1 Convenzioni tipografiche



**PERICOLO!**  
Pericolosità elevata.  
Rischio di scosse elettriche. Prima di eseguire qualsiasi operazione assicurarsi di togliere tensione al prodotto, salvo diversa indicazione.



**ATTENZIONE!**  
Pericolosità media.  
L'operazione è molto importante per il corretto funzionamento del sistema. Si prega di leggere attentamente la procedura indicata e di eseguirla secondo le modalità previste.



**INFO**  
Descrizione delle caratteristiche del sistema.  
Si consiglia di leggere attentamente per comprendere le fasi successive.

## 2 Note sul copyright e informazioni sui marchi commerciali

I nomi di prodotto o di aziende citati sono marchi commerciali o marchi commerciali registrati appartenenti alle rispettive società.

## 3 Norme di sicurezza



**ATTENZIONE!** L'installazione e la manutenzione del dispositivo deve essere eseguita solo da personale tecnico qualificato.



**ATTENZIONE!** L'impianto elettrico al quale è collegata l'unità deve essere dotato di un interruttore di protezione bipolare automatico. L'interruttore per le unità a tensione di rete deve avere un livello di intervento di 20A max. L'interruttore per le unità a bassa tensione deve avere un livello di intervento di 6A max. Tale interruttore deve essere di tipo Listed. La distanza minima tra i contatti deve essere di 3mm. L'interruttore deve essere provvisto di protezione contro la corrente di guasto verso terra (differenziale) e la sovracorrente (magnetotermico).

- Il produttore declina ogni responsabilità per eventuali danni derivanti da un uso improprio delle apparecchiature menzionate in questo manuale. Si riserva inoltre il diritto di modificarne il contenuto senza preavviso. Ogni cura è stata posta nella raccolta e nella verifica della documentazione contenuta in questo manuale. Il produttore, tuttavia, non può assumersi alcuna responsabilità derivante dall'utilizzo della stessa. Lo stesso dicasi per ogni persona o società coinvolta nella creazione e nella produzione di questo manuale.
- Prima di eseguire qualsiasi operazione assicurarsi di togliere tensione al prodotto.
- Non utilizzare cavi con segni di usura o invecchiamento.
- Non effettuare per nessun motivo alterazioni o collegamenti non previsti in questo manuale. L'uso di apparecchi non idonei può portare a gravi pericoli per la sicurezza del personale e dell'impianto.
- Utilizzare solo parti di ricambio originali. Pezzi di ricambio non originali potrebbero causare incendi, scariche elettriche o altri pericoli.
- Prima di procedere con l'installazione, controllare che il materiale fornito corrisponda alle specifiche richieste esaminando le etichette di marcatura (4.2 Marcatura del prodotto, pagina 4).

- Questo dispositivo è stato progettato per essere installato in maniera permanente su un edificio o su una struttura adeguata. Il dispositivo deve essere installato in maniera permanente prima di effettuare qualsiasi operazione.
- Si devono rispettare le normative nazionali per l'installazione del dispositivo.
- La categoria di installazione (detta anche categoria di sovratensione) specifica i livelli della tensione transitoria di rete alla quale l'apparato è soggetto. La categoria dipende dal luogo di installazione e dalla presenza di dispositivi di protezione contro le sovratensioni. Un dispositivo per ambienti industriali, connesso ai rami principali dell'impianto di alimentazione è soggetto alla categoria di installazione III. Se questo è il caso, è richiesta una riduzione alla categoria II. Ciò può essere ottenuto utilizzando un trasformatore di isolamento con schermatura connessa a terra tra il primario ed il secondario, o tramite l'impiego di dispositivi di protezione contro le sovratensioni (SPD), UL listed, connessi tra la fase ed il neutro a tra il neutro e terra. I dispositivi SPD UL listed, dovranno essere predisposti per limitare sovratensioni transitorie in modo ripetitivo e per la seguenti condizioni nominali di funzionamento: Tipo 2 (Dispositivi SPD connessi permanentemente alla rete di alimentazione, per installazioni dal lato del carico del dispositivo di servizio); Corrente nominale di scarica (In) 20kA minimi. Si possono utilizzare ad esempio: FERRAZ SHAWMUT, ST23401PG-CN, ST240SPG-CN specificati per 120Vac/240Vac, (In=20kA). La distanza massima tra l'installazione e la riduzione è di 5m.
- Ogni dispositivo che può essere installato all'interno del prodotto deve essere conforme alle norme di sicurezza attuali.
- Se l'installazione deve essere di tipo NEMA TYPE 4X, l'installatore deve sostituire i pressacavi del prodotto con dei pressacavi di tipo NEMA TYPE 4X.
- Per tutte le connessioni, utilizzare cavi idonei a sopportare temperature di almeno 75°C.
- Il prodotto è progettato per alloggiare solo telecamere opportunamente certificate (7W max).
- Un dispositivo di scollegamento, prontamente e facilmente accessibile, deve essere incorporato nell'impianto elettrico dell'edificio per un intervento rapido.
- Per la connessione della linea di alimentazione utilizzare l'apposita scatola di connessione (UPTJ BUL). Per ulteriori informazioni fare riferimento al manuale d'uso ed installazione del prodotto.
- Utilizzare dei capicorda Listed per la connessione dei conduttori di rete ai morsetti. I capicorda devono essere adeguati al tipo di installazione (da -20°C a +80°C min., V-0). Esempi di capicorda: RP, BP o YP (Cembre).

## 4 Identificazione

### 4.1 Descrizione e designazione del prodotto

Robusta custodia in alluminio progettata per semplificare l'installazione ed il servizio e garantire una protezione totale a tutte le condizioni ambientali.

Le sue dimensioni la rendono adatta ad alloggiare svariate combinazioni di telecamere standard con ottiche fisse o zoom compatti.

Estremamente semplice da installare, l'apertura laterale facilita ampiamente l'accesso alla telecamera, alle ottiche e a tutte le connessioni interne.

I numerosi accessori disponibili, come il riscaldamento, il ventilatore e i filtri, l'alimentatore per telecamera, il tergicristallo, soddisfano inoltre ogni richiesta di impiego.

### 4.2 Marcatura del prodotto

Vedere l'etichetta posta sul prodotto.

## 5 Preparazione del prodotto per l'utilizzo



**Qualsiasi cambiamento non espressamente approvato dal costruttore fa decadere la garanzia.**

### 5.3 Disimballaggio

Alla consegna del prodotto verificare che l'imballo sia integro e non abbia segni evidenti di cadute o abrasioni.

In caso di evidenti segni di danno all'imballo contattare immediatamente il fornitore.

Conservare l'imballo nel caso sia necessario inviare il prodotto in riparazione.

### 5.4 Contenuto

Controllare che il contenuto sia corrispondente alla lista del materiale sotto elencata:

- Custodia
- Dotazione per custodia:
  - Chiave a brugola
  - Distanziali
  - Guarnizioni per pressacavi
  - Pressacavi (x3)
  - Viteria
  - Viti per telecamera
- Manuale di istruzioni
- Sacchetto disidratante

### 5.5 Smaltimento in sicurezza dei materiali di imballaggio

I materiali d'imballo sono costituiti interamente da materiale riciclabile. Sarà cura del tecnico installatore smaltirli secondo le modalità di raccolta differenziata o comunque secondo le norme vigenti nel Paese di utilizzo.

In caso di restituzione del prodotto malfunzionante è consigliato l'utilizzo dell'imballaggio originale per il trasporto.

### 5.6 Lavoro preparatorio prima dell'installazione

#### 5.6.1 Fissaggio del supporto



**Il prodotto deve essere fissato con mezzi adeguati. I mezzi di fissaggio devono garantire la tenuta meccanica applicando una forza pari almeno a 4 volte il peso complessivo dell'apparecchiatura.**

## 6 Installazione

### 6.1 Apertura della custodia

Svitare le 2 viti poste sul fianco, far ruotare tettuccio e corpo superiore attorno all'asse delle cerniere di apertura.

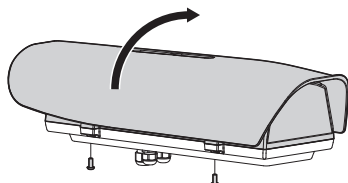


Fig. 1



**Al termine delle operazioni di installazione e cablaggio richiudere la custodia.**

### 6.2 Installazione della telecamera



**L'alimentazione può essere fornita dalla scheda in dotazione al prodotto. Accertarsi che i valori di tensione siano adeguati.**

Aprire la custodia come descritto (6.1 Apertura della custodia, pagina 6).

Svitare parzialmente le viti di fissaggio (01).

Rimuovere la slitta interna (02) facendola scorrere fino a fare coincidere i fori con le viti di fissaggio.

Fissare la telecamera con la vite da 1/4" (03). Per collocare nel modo corretto la telecamera e l'ottica, se necessario, utilizzare i distanziali in dotazione (04).

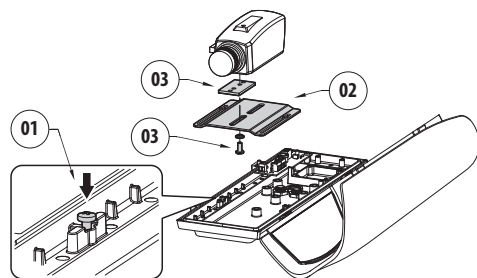


Fig. 2

Riposizionare la slitta interna serrando le viti precedentemente allentate.

Togliere la guaina di protezione dei conduttori e collegarli al morsetto (J5, 6.3 Descrizione della scheda, pagina 7).

I conduttori del cavo di alimentazione della telecamera devono essere fissati tra loro con una fascetta in prossimità del morsetto. Tenere separati i cavi di alimentazione da quelli di segnale.

## 6.3 Descrizione della scheda

**⚠** Collegare la terra di sicurezza al relativo morsetto del connettore J1.

**i** L'aspetto della scheda potrebbe differire da quello illustrato.

**i** La scheda, a seconda della versione del prodotto, potrebbe non essere dotata di tutte le funzionalità.

DESCRIZIONE DELLA SCHEDA	
Connettore	Funzione
J1	Alimentazione della scheda ( $V_{IN}$ ) <sup>1</sup>
J2	Uscita ausiliaria ( $V_{OUT}$ ) <sup>2</sup>
J3	Alimentazione del riscaldamento ( $V_{OUT}$ )
J4	Contatti dello switch antiapertura <sup>3</sup>
J5	Alimentazione della telecamera ( $V_{OUT}$ ) <sup>4</sup>
J7	Connettore per alimentatore/ponticello <sup>5</sup>
J8	Alimentazione del ventilatore ( $V_{OUT}$ )
SW1	Switch antiapertura <sup>3</sup>

**Tab. 1**

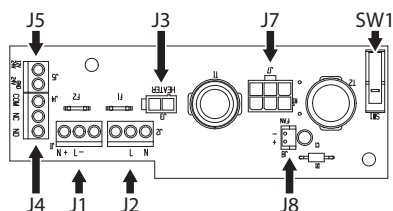
<sup>1</sup> Da 100Vac a 240Vac, 24Vac o 12Vdc.

<sup>2</sup> Stessa tensione applicata al morsetto di alimentazione della scheda (J1).

<sup>3</sup> Opzionale.

<sup>4</sup> Sono possibili diverse alternative a seconda della versione.  $V_{OUT} = 12Vdc$  o  $V_{OUT} = 24Vac$ , in relazione al tipo di alimentatore installato (7.2.1 Installazione dell'alimentatore per telecamera, pagina 9).  $V_{OUT} = V_{IN}$ , solo per custodie alimentate in 12Vdc o 24Vac, con ponticello inserito (J7).

<sup>5</sup> Per installare un alimentatore in 12Vdc o 24Vac fare riferimento al relativo capitolo (7.2.1 Installazione dell'alimentatore per telecamera, pagina 9).



**Fig. 3**

## 6.4 Collegamento della linea di alimentazione

**⚠** Il cavo di terra deve essere più lungo degli altri due di circa 10mm per prevenirne il distacco accidentale a causa dello stiramento.

Introdurre i cavi di collegamento alla linea di alimentazione all'interno della custodia attraverso i pressacavi. I pressacavi sono adatti per conduttori con diametro compreso tra 5mm e 10mm. Il tratto di cavo all'interno della custodia deve essere sufficientemente lungo da permettere il collegamento. Serrare opportunamente i pressacavi.

Togliere la guaina di protezione dei conduttori e collegarli al morsetto (J1, 6.3 Descrizione della scheda, pagina 7).

### 6.4.1 Tipo di cavo

Il tipo di cavo da utilizzare per il collegamento alla linea di alimentazione deve essere compatibile con l'impiego previsto. Attenersi alle regole nazionali in vigore riguardo le installazioni elettriche.

## 6.5 Installazione della versione con doppio filtro per ricambio dell'aria

**i** Durante l'installazione prestare attenzione all'orientamento delle alette del filtro di ingresso dell'aria.

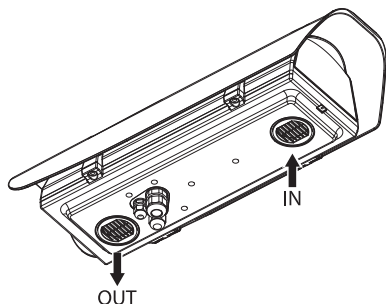


Fig. 4

A seconda dell'angolo di inclinazione della custodia, l'orientamento delle alette del filtro deve prevenire la penetrazione di acqua in caso di pioggia.

Al fine di garantire il grado di protezione, installare la custodia al supporto rispettando i limiti di inclinazione riportati in figura.

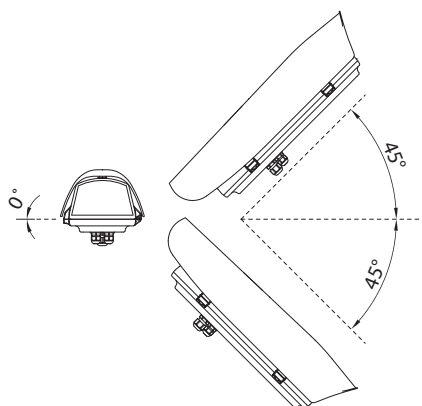


Fig. 5 Massima inclinazione dell'asse trasversale: 0°.  
Massima inclinazione dell'asse longitudinale:  $\pm 45^\circ$ .

## 6.6 Installazione della versione con tergicristallo

Aprire la custodia come descritto (6.1 Apertura della custodia, pagina 6).

Individuare il morsetto della scheda tergicristallo.

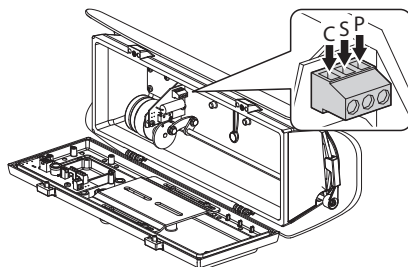


Fig. 6

Collegare la scheda del tergicristallo alla rete di alimentazione come illustrato in figura.

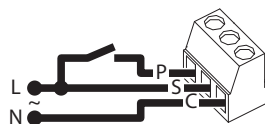


Fig. 7

Premendo il pulsante si attiva il tergicristallo. Rilasciando il pulsante la spazzola del tergicristallo si porta in posizione di riposo.

Nel caso si disponga di un ricevitore con funzione di comando Wiper, collegare i morsetti SW, PER e COM rispettivamente ai terminali S, P e C della scheda.

## 6.7 Sacchetto disidratante

Estrarre il sacchetto disidratante dalla confezione e inserirlo nel prodotto.



## 7 Accessori

**i** Per ulteriori dettagli sulla configurazione e l'utilizzo fare riferimento al manuale del relativo accessorio.

### 7.1 Riscaldamento

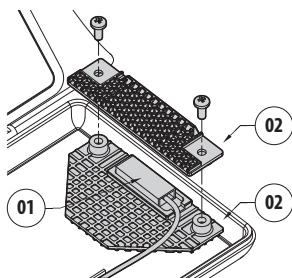
#### 7.1.1 Installazione del riscaldamento

Aprire la custodia come descritto (6.1 Apertura della custodia, pagina 6).

Fissare il kit di riscaldamento nei punti predisposti sul corpo custodia.

La resistenza precablata (01) deve essere interposta fra i 2 dissipatori (02) prima del fissaggio per garantirne il contatto e assicurare in questo modo una corretta trasmissione del calore.

Passare il cablaggio del riscaldamento sotto alla slitta per il fissaggio della telecamera.



**Fig. 8**

Terminata l'installazione, collegare il cablaggio al morsetto (connettore per alimentatore, 6.3 Descrizione della scheda, pagina 7).

Riposizionare la slitta interna serrando le viti precedentemente allentate.

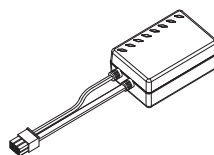
## 7.2 Alimentatore per telecamera

### 7.2.1 Installazione dell'alimentatore per telecamera

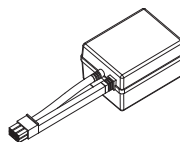
**!** Non utilizzabile nelle custodie munite di sistema tergcristallo.

**!** Prestare attenzione al valore di tensione utilizzata quando si alimenta il circuito. A seconda delle esigenze utilizzare il kit di alimentazione corretto.

Gli alimentatori che possono essere installati sono di 2 categorie a seconda delle esigenze.



**Fig. 9**  $V_{IN}$  da 100Vac a 240Vac,  $V_{OUT}$  12Vdc.



**Fig. 10**  $V_{IN}$  230Vac,  $V_{OUT}$  24Vac.

Aprire la custodia come descritto (6.1 Apertura della custodia, pagina 6).

Utilizzando la vite (01) fissare la staffa di appoggio (02). Posizionare l'alimentatore (03) sulla staffa di appoggio. Fissare il tutto con le viti (04) e la staffa di fissaggio ad angolo (05).

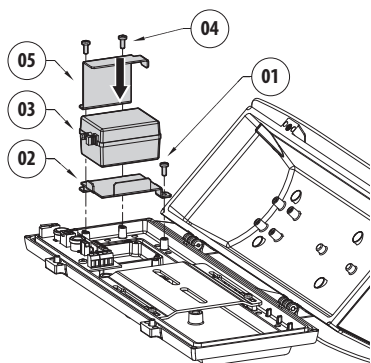


Fig. 11

Inserire il connettore femmina multipolare nel corrispondente connettore maschio (J7, 6.3 Descrizione della scheda, pagina 7).

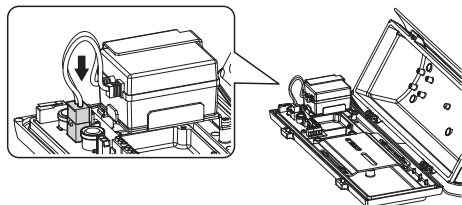


Fig. 12

## 7.3 Ventilatore

### 7.3.1 Installazione del ventilatore

**⚠ Non utilizzabile nelle versioni con doppio filtro per il ricambio dell'aria e tergicristallo.**

**⚠ Prestare attenzione al valore di tensione utilizzata quando si alimenta il circuito. A seconda delle esigenze utilizzare il kit di alimentazione corretto.**

**⚠ Il ventilatore deve essere montato come da istruzioni per garantire una corretta circolazione dell'aria all'interno della custodia.**

Aprire la custodia come descritto (6.1 Apertura della custodia, pagina 6).

Fissare il ventilatore tramite la staffetta angolare in dotazione utilizzando le viti.

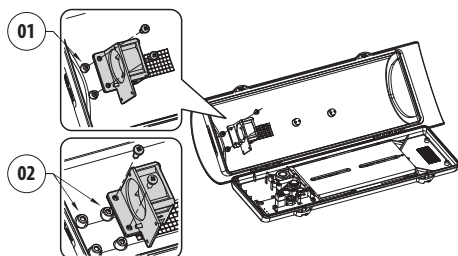


Fig. 13

Inserire il connettore femmina multipolare nel corrispondente connettore maschio (J8, 6.3 Descrizione della scheda, pagina 7).

## 8 Istruzioni di funzionamento ordinario

---



**Non utilizzare il tergicristallo quando la temperatura esterna è inferiore a 0°C o in presenza di ghiaccio.**

---

## 9 Manutenzione e pulizia

---



**Prima di effettuare interventi tecnici sull'apparecchio togliere l'alimentazione elettrica.**

---

### 9.1 Pulizia del vetro e delle parti in plastica

---



**Evitare alcool etilico, solventi, idrocarburi idrogenati, acidi forti e alcali. L'utilizzo di detti prodotti danneggia in modo irreparabile la superficie trattata.**

---

Si consiglia di utilizzare un panno morbido con saponi neutri diluiti con acqua o prodotti specifici per la pulizia delle lenti degli occhiali.

## 10 Smaltimento dei rifiuti

---



**Questo simbolo e il sistema di riciclaggio sono validi solo nei paesi dell'EU e non trovano applicazione in altri paesi del mondo.**

---

Il vostro prodotto è costruito con materiali e componenti di alta qualità, che sono riutilizzabili o riciclabili.

Prodotti elettrici ed elettronici che riportano questo simbolo, alla fine dell'uso, devono essere smaltiti separatamente dai rifiuti casalinghi.

Vi preghiamo di smaltire questo apparecchio in un Centro di raccolta o in un'Ecostazione.

Nell'Unione Europea esistono sistemi di raccolta differenziata per prodotti elettrici ed elettronici.

# 11 Dati tecnici

## 11.1 Generale

Costruzione in alluminio

Tettuccio in ABS

Verniciatura a polveri di epossipoliestere, colore RAL9002

Viteria esterna in acciaio inox

## 11.2 Meccanica

Pressacavi: 3xM16

Finestra in vetro (WxH): 118x75mm

Dimensioni utili interne (WxH): 100x70mm

Lunghezza utile interna (con o senza accessori): 250mm

Peso unitario: 3kg

## 11.3 Elettrico

Tensione di alimentazione/Corrente assorbita (versione vuota):

- Da 12Vdc fino a 24Vdc, 1A max
- Da 12Vac fino a 24Vac, 1A max, 50/60Hz
- Da 120Vac fino a 230Vac, 400mA max, 50/60Hz

Tensione di alimentazione/Corrente assorbita (versione con riscaldamento, Ton 15°C±3°C, Toff 22°C±3°C):

- Da 12Vdc fino a 24Vdc, 3A max
- Da 12Vac fino a 24Vac, 3A max, 50/60Hz
- Da 120Vac fino a 230Vac, 400mA max, 50/60Hz

Tensione di alimentazione/Corrente assorbita (versione con ventilatore a ciclo continuo per assistenza riscaldamento):

- 12Vdc, 400mA max
- 24Vac, 200mA max, 50/60Hz
- Da 100Vac fino a 240Vac, 40mA max, 50/60Hz (con alimentatore wide-range)

Tensione di alimentazione/Corrente assorbita (versione con ventilatore e termostato per modelli con doppio filtro per ricambio dell'aria, Ton 35°C±3°C, Toff 20°C±3°C):

- 12Vdc, 400mA max
- 24Vac, 200mA max, 50/60Hz

Tensione di alimentazione/Corrente assorbita (versione con tergcristallo integrato):

- 24Vac, 1.85A max, 50/60Hz
- 230Vac, 40mA max, 50/60Hz

Alimentatore per telecamera:

- $V_{IN}$  da 100Vac fino a 240Vac, 50/60Hz  
 $V_{OUT}$  12Vdc, 1A
- $V_{IN}$  230Vac, 50/60Hz  
 $V_{OUT}$  24Vac, 400mA, 50/60Hz

## 11.4 Ambiente

Interno/Esterno

Temperatura di esercizio (con riscaldamento): Da -20°C a +60°C

Resistenza alla nebbia salina, fino a 1000 ore (ISO9227)

## 11.5 Certificazioni

Sicurezza elettrica (CE): EN60950-1

Compatibilità elettromagnetica (CE): EN50130-4, EN61000-6-3

Installazione all'esterno (CE): EN60950-22, IEC 60950-22

Grado di protezione IP: EN60529

- IP66/IP67 (con pressacavi)
- IP66/IP67 (con anelli di tenuta e supporto per passaggio interno cavi)
- IP55 (con supporto per passaggio interno cavi)
- IP44 (con doppio filtro per ricambio d'aria)

Certificazione UL: cULus Listed, TYPE 4X (ad eccezione delle versioni con doppio filtro per il ricambio dell'aria, HOV32K1A018, HOV32K2A016, HOV32K2A017, HOV32K2A147, e della versione con tergcristallo in 230Vac, HOV32K1A100)

Certificazione EAC

# 12 Disegni tecnici

**i** Le dimensioni dei disegni sono espresse in millimetri.

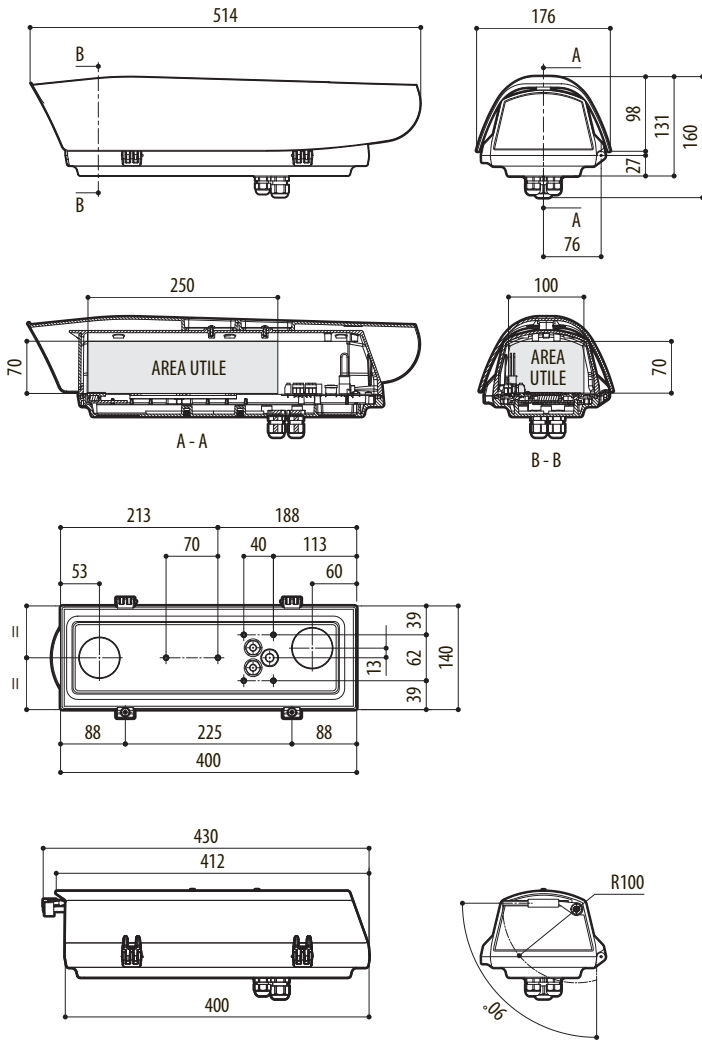


Fig. 14 HOV.

**Headquarters Italy** Videotec S.p.A.

Via Friuli, 6 - I-36015 Schio (VI) - Italy

Tel. +39 0445 697411 - Fax +39 0445 697414

Email: [info@videotec.com](mailto:info@videotec.com)

**Asia Pacific** Videotec (HK) Ltd

Flat 8, 19/F. On Dak Industrial Building, No. 2-6 Wah Sing Street

Kwai Chung, New Territories - Hong Kong

Tel. +852 2333 0601 - Fax +852 2311 0026

Email: [info.hk@videotec.com](mailto:info.hk@videotec.com)

**France** Videotec France SARL

Immeuble Le Montreal, 19bis Avenue du Québec, ZA de Courtaboeuf  
91140 Villebon sur Yvette - France

Tel. +33 1 60491816 - Fax +33 1 69284736

Email: [info.fr@videotec.com](mailto:info.fr@videotec.com)

**Americas** Videotec Security, Inc.

Gateway Industrial Park, 35 Gateway Drive, Suite 100  
Plattsburgh, NY 12901 - U.S.A.

Tel. +1 518 825 0020 - Fax +1 518 825 0022

Email: [info.usa@videotec.com](mailto:info.usa@videotec.com) - [www.videotec.us](http://www.videotec.us)

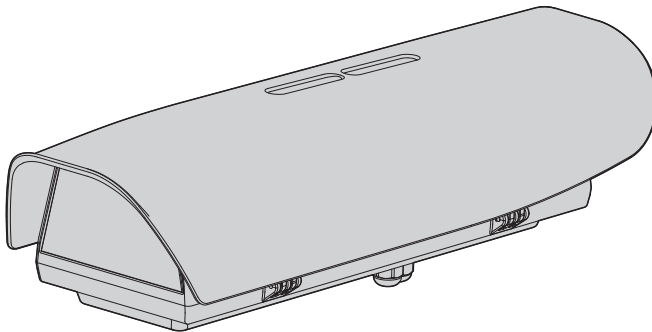


[www.videotec.com](http://www.videotec.com)

MNVCHOV32\_1511\_IT

# HOV

**Caisson pour caméra en aluminium à ouverture latérale**



# Sommaire

<b>1 À propos de ce mode d'emploi .....</b>	<b>3</b>
1.1 Conventions typographiques .....	3
<b>2 Notes sur le copyright et informations sur les marques de commerce .....</b>	<b>3</b>
<b>3 Normes de sécurité.....</b>	<b>3</b>
<b>4 Identification.....</b>	<b>4</b>
4.1 Description et désignation du produit .....	4
4.2 Marquage du produit.....	4
<b>5 Préparation du produit en vue de l'utilisation.....</b>	<b>5</b>
5.3 Déballage.....	5
5.4 Contenu.....	5
5.5 Élimination sans danger des matériaux d'emballage.....	5
5.6 Opérations à effectuer avant l'installation.....	5
5.6.1 Fixation du support .....	5
<b>6 Installation .....</b>	<b>6</b>
6.1 Ouverture du caisson .....	6
6.2 Installation de la caméra .....	6
6.3 Description de la carte.....	7
6.4 Connexion de la ligne d'alimentation.....	7
6.4.1 Type de câble .....	7
6.5 Installation de la version avec double filtre pour le changement d'air.....	8
6.6 Installation de la version avec essuie-glace .....	8
6.7 Sachet déshydratant.....	8
<b>7 Accessoires .....</b>	<b>9</b>
7.1 Chauffage .....	9
7.1.1 Installation du chauffage.....	9
7.2 Alimentation pour caméra .....	9
7.2.1 Installation de l'alimentateur pour caméra.....	9
7.3 Ventilateur .....	10
7.3.1 Installation du ventilateur .....	10
<b>8 Instructions de fonctionnement courant .....</b>	<b>11</b>
<b>9 Entretien et nettoyage .....</b>	<b>11</b>
9.1 Entretien de la vitre et des parties en plastique .....	11
<b>10 Élimination des déchets.....</b>	<b>11</b>
<b>11 Données techniques.....</b>	<b>12</b>
11.1 Généralités.....	12
11.2 Mécanique .....	12
11.3 Électrique .....	12
11.4 Environnement .....	12
11.5 Certifications.....	12
<b>12 Dessins techniques.....</b>	<b>13</b>



# 1 À propos de ce mode d'emploi

Avant d'installer et d'utiliser cet appareil, veuillez lire attentivement ce mode d'emploi. Conservez-le à portée de main pour pouvoir vous y reporter en cas de besoin.

## 1.1 Conventions typographiques



### **DANGER!**

**Risque élevé.**

**Risque de choc électrique. Sauf indication contraire, sectionner l'alimentation avant de procéder à toute opération.**



### **ATTENTION!**

**Risque moyen.**

**Opération extrêmement importante en vue d'un fonctionnement correct du système; lire avec attention les opérations indiquées et s'y conformer rigoureusement.**



### **REMARQUE**

**Description des caractéristiques du système.**

**Il est conseillé de procéder à une lecture attentive pour une meilleure compréhension des phases suivantes.**

## 2 Notes sur le copyright et informations sur les marques de commerce

Les noms de produit ou de sociétés cités sont des marques de commerce ou des marques de commerce enregistrées.

## 3 Normes de sécurité



**ATTENTION! L'installation et l'entretien du dispositif doivent être exclusivement effectués par un personnel technique qualifié.**



**ATTENTION! L'installation électrique à laquelle l'unité est branchée doit être équipée d'un interrupteur de protection bipolaire automatique. L'interrupteur pour les unités à tension de rete doit avoir un niveau d'intervention de 20A max. L'interrupteur pour les unités à basse tension doit avoir un niveau d'intervention de 6A max. Cet interrupteur doit être de type Listed. La distance minimale entre les contacts doit être de 3mm. L'interrupteur doit être équipé de protection contre le courant de défaut vers la terre (différentiel) et le surintensité (magnétothermique).**

- Le fabricant décline toute responsabilité pour les dommages éventuels dus à une utilisation non appropriée des appareils mentionnés dans ce manuel. On réserve en outre le droit d'en modifier le contenu sans préavis. La documentation contenue dans ce manuel a été rassemblée et vérifiée avec le plus grand soin. Le fabricant, cependant, ne peut assumer aucune responsabilité dérivant de l'emploi de celle là. La même chose vaut pour chaque personne ou sociétés impliquées dans la création et la production de ce manuel.
- Sectionner l'alimentation avant de procéder à toute opération.
- Ne pas utiliser de câbles usés ou endommagés.
- Ne procéder sous aucun prétexte à des modifications ou des connexions non prévues dans ce manuel. L'utilisation d'appareils non adéquats peut comporter des dangers graves pour la sécurité du personnel et de l'installation.
- Utiliser uniquement des pièces de rechange d'origine. Les pièces non d'origine peuvent être source d'incendies, de choc électrique ou autres.
- Avant de procéder à l'installation, contrôler que le matériel fourni correspond à la commande et examiner les étiquettes de marquage (4.2 Marquage du produit, page 4).

- Cette appareil est conçu pour une installation permanente sur un bâtiment ou une structure adéquate. L'appareil doit être installé d'une façon permanente avant d'effectuer toute opération.
- Il faut respecter les législations nationales pour l'installation du dispositif.
- La catégorie d'installation (ou catégorie de surtension) spécifie les niveaux de la tension de secteur correspondant à l'appareil. La catégorie dépend du lieu d'installation et du dispositif de protection contre les surtensions installé. En cas d'environnement industriel directement connecté aux circuits de dérivation du système d'alimentation, l'équipement est classé dans la catégorie d'installation III. Dans ce cas, un déclassement à la catégorie II est nécessaire et peut être obtenu au moyen d'un transformateur d'isolement avec blindage électrostatique entre le primaire et le secondaire ou en utilisant des dispositifs de protection contre les surtensions (SPD) entre la phase et le neutre et entre le neutre et la terre. Les dispositifs SPD UL cités doivent être prévus pour limiter les surtensions transitoires en mode répétitif et pour les conditions nominales de fonctionnement suivantes : Type 2 (dispositifs SPD reliés en permanence au côté charge du côté du dispositif de protection contre les surintensités) ; courant nominal de décharge (In) 20kA min. Exemples d'utilisation possible : FERRAZ SHAWMUT, ST23401PG-CN, ST240SPG-CN spécifiés pour 120Vac/240Vca, (In=20kA). La distance maximale entre installation et réduction est de 5m.
- Chaque appareils pouvant être installés à l'intérieur du produit doivent être conformes aux normes de sécurité en vigueur.
- Si l'installation doit être de type NEMA TYPE 4X, l'installateur devra remplacer les presse-étoupes du produit avec des presse-étoupes de type NEMA TYPE 4X.
- Pour tous les branchements, utiliser les câbles spécifiques pouvant résister à des températures d'au moins 75°C.
- Le projet a été conçu pour ne loger que des caméras dûment certifiées (7W max).
- Un dispositif de déconnexion, rapide et facile d'accès, doit être incorporé dans le circuit électrique du bâtiment pour une intervention rapide.
- Pour raccorder la ligne d'alimentation utiliser le boîtier de connexion spécifique (UPTJBUL). Pour plus d'informations, se référer au manuel d'utilisation et d'installation du produit.
- Utiliser des cosses Listed pour relier les conducteurs de réseau aux bornes. Les cosses doit être appropriés au type d'installation (de -20°C à +80°C min., V-0). Exemples de cosses: RP, BP o YP (Cembre).

## 4 Identification

### 4.1 Description et désignation du produit

Robuste caisson en aluminium conçu pour simplifier l'installation et le service et garantir une protection totale dans toutes les conditions environnementales.

Ses dimensions le rendent adapté pour loger différentes combinaisons de caméras standards avec optiques fixes ou zooms compacts.

Très simple à installer, l'ouverture latérale facilite largement l'accès à la caméra, aux optiques et à toutes les connexions internes.

Les différents accessoires, tels que le chauffage, le ventilateur avec filtre, l'alimentation pour caméra et l'essuie-glace permettent de répondre à un large éventail d'applications.

### 4.2 Marquage du produit

Voir l'étiquette positionné sur le produit.

## 5 Préparation du produit en vue de l'utilisation



**Toute modification non approuvée expressément par le fabricant entraînera l'annulation de la garantie.**

### 5.3 Déballage

Lors de la livraison du produit, vérifier que l'emballage est en bon état et l'absence de tout signe évident de chute ou d'abrasion.

En cas de dommages évidents, contacter immédiatement le fournisseur.

Conserver l'emballage en cas de nécessité d'expédition du produit pour réparation.

### 5.4 Contenu

Contrôler que le contenu correspond à la liste matériel indiquée ci-dessous:

- Caisson
- Dotation pour caisson:
  - Clé Allen
  - Entretroises
  - Joints pour presse-étoupes
  - Presse-étoupes (x3)
  - Vis
  - Vis pour caméra
- Manuel d'instructions
- Sachet déshydratant

## 5.5 Élimination sans danger des matériaux d'emballage

Le matériel d'emballage est entièrement composé de matériaux recyclables. Le technicien chargé de l'installation est tenu de l'éliminer conformément aux dispositions en matière de collecte sélective et selon les normes en vigueur dans le pays d'utilisation.

En cas de retour du produit défectueux, il est conseillé d'utiliser l'emballage original pour le transport.

## 5.6 Opérations à effectuer avant l'installation

### 5.6.1 Fixation du support



**Le produit doit être fixé à l'aide des moyens appropriés. Les moyens de fixation doivent garantir l'étanchéité mécanique et appliquer une force égale au moins à 4 fois le poids total de l'appareil.**

## 6 Installation

### 6.1 Ouverture du caisson

Dévisser les 2 vis placées sur le côté, faire tourner le toit pare-soleil et le corps supérieur autour de l'axe des charnières d'ouverture.

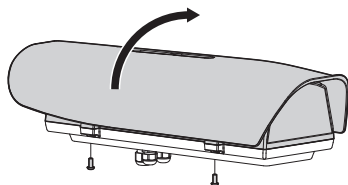


Fig. 1



Après l'installation et le câblage, fermer le caisson.

### 6.2 Installation de la caméra



L'alimentation peut être dotée de la carte fournie avec le produit fournie. S'assurer que les valeurs de tension soient appropriées.

Ouvrir le caisson comme décrit (6.1 Ouverture du caisson, page 6).

Dévisser partiellement les vis de fixation (01).

Enlever la glissière interne (02) jusqu'à ce que les trous coïncident avec les vis de fixation.

Fixer la caméra avec la vis de 1/4" (03). Pour installer correctement caméra et optique, si nécessaire, utiliser les entretoises fournies. (04).

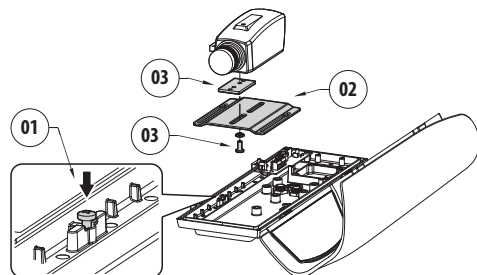


Fig. 2

Replacer la glissière interne en serrant les vis précédemment desserrées.

Enlever la gaine de protection des conducteurs et les brancher à la borne (J5, 6.3 Description de la carte, page 7).

Les conducteurs du câble d'alimentation de la caméra doivent être fixés entre eux avec une collier en proximité de la borne. Garder les câbles d'alimentation séparés de ceux de signal.

## 6.3 Description de la carte

**!** Faire le branchement de sécurité à la terre de la borne correspondante du connecteur J1.

**i** L'aspect de la carte pourrait être différer de celui qui est illustré.

**i** La carte, selon la version du produit, pourrait ne pas être munie de toutes les fonctions.

DESCRIPTION DE LA CARTE	
Connecteur	Fonction
J1	Alimentation de la carte ( $V_{IN}$ ) <sup>1</sup>
J2	Sortie auxiliaire ( $V_{OUT}$ ) <sup>2</sup>
J3	Alimentation du chauffage ( $V_{OUT}$ )
J4	Contact du switch antiapertura? <sup>3</sup>
J5	Alimentation de la camera ( $V_{OUT}$ ) <sup>4</sup>
J7	Connecteur pour alimentation/barrette <sup>5</sup>
J8	Alimentation du ventilateur ( $V_{OUT}$ )
SW1	Switch anti-ouverture <sup>3</sup>

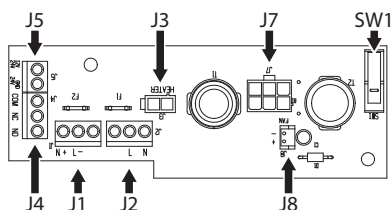
**Tab. 1** <sup>1</sup> De 100Vac a 240Vac, 24Vac o12Vdc.

<sup>2</sup> Meme tension appliquée à la borne d'alimentation de la carte (J1).

<sup>3</sup> En option.

<sup>4</sup> Il existe différentes alternatives selon la version.  $V_{OUT} = 12Vdc$  o  $V_{OUT} = 24Vac$ , en relation au type d'alimentateur installé (7.2.1 Installation de l'alimentateur pour caméra, page 9).  $V_{OUT} = V_{IN}$ , uniquement pour les gaines alimentées en 12Vdc ou 24Vac, avec le shunt inséré (J7).

<sup>5</sup> Pour installer un alimentateur en 12Vdc ou 24Vac faire référence au chapitre correspondant (7.2.1 Installation de l'alimentateur pour caméra, page 9).



**Fig. 3**

## 6.4 Connexion de la ligne d'alimentation

**!** Le câble de terre doit être plus long des deux autres d'environ 10mm pour éviter tout détachement accidentel.

Introduire les câbles de branchement à la ligne d'alimentation à l'intérieur du caisson à l'aide des presse-étoupes. Les presse-câbles sont prévus pour des conducteurs avec un diamètre compris entre 5mm et 10mm. La partie de câble à l'intérieur de la gaine doit être suffisamment long pour permettre le branchement. Serrer opportunément les presse-étoupes.

Enlever la gaine de protection des conducteurs et les brancher à la borne (J1, 6.3 Description de la carte, page 7).

### 6.4.1 Type de câble

Le type de câble à utiliser pour le branchement à la ligne d'alimentation doit être compatible avec l'emploi prévu. S'en tenir aux règles nationales en vigueur concernant les installations électriques.

## 6.5 Installation de la version avec double filtre pour le changement d'air

**i** Durant l'installation prêter l'installation à l'orientation des ailettes du filtre d'entrée de l'air.

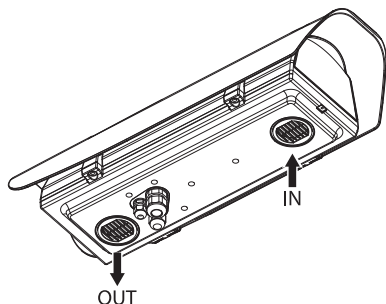


Fig. 4

Selon l'angle d'inclinaison de la gaine, l'orientation des ailettes du filtre doit empêcher à l'eau de pénétrer en cas de pluie.

Pour garantir un degré de protection, installer le caisson au support en respectant les limites d'inclinaison selon la figure.

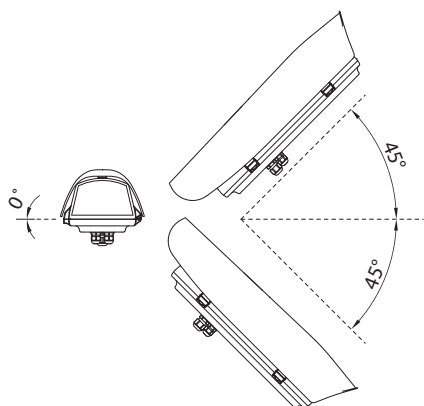


Fig. 5 Inclinaison maximal de l'axe transversal: 0°.  
Inclinaison maximal de l'axe longitudinal:  $\pm 45^\circ$ .

## 6.6 Installation de la version avec essuie-glace

Ouvrir le caisson comme décrit (6.1 Ouverture du caisson, page 6).

Identifier la borne de la carte de l'essuie-glace.

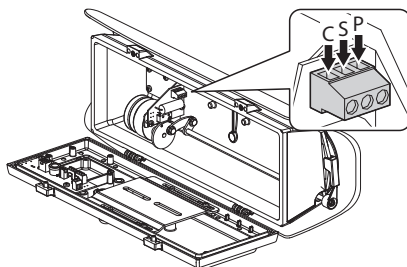


Fig. 6

Brancher la carte de l'essuie-glace au réseau d'alimentation selon la figure.

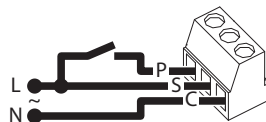


Fig. 7

En pressant le bouton on active l'essuie-glace. En relâchant le bouton-poussoir, la brosse de l'essuie-glace se mettra en position de repos.

Si l'on dispose d'un récepteur ayant la fonction de commande Wiper, brancher les bornes SW, PER et COM respectivement aux terminaux S, P et C de la carte.

## 6.7 Sachet déshydratant

Prenez le sachet de sel desséchant de son emballage et le placer dans le produit.

## 7 Accessoires

**i** Pour de plus amples informations sur la configuration et l'utilisation, consulter le manuel de l'accessoire correspondant.

### 7.1 Chauffage

#### 7.1.1 Installation du chauffage

Ouvrir le caisson comme décrit (6.1 Ouverture du caisson, page 6).

Fixer le kit de chauffage aux points prédisposés sur le corps du caisson.

La résistance précâblée (01) doit être placée entre les 2 dissipateurs (02) avant la fixation pour en garantir le contact et assurer de cette façon une bonne transmission de la chaleur.

Passer le câblage du chauffage sous la glissière pour la fixation de la caméra.

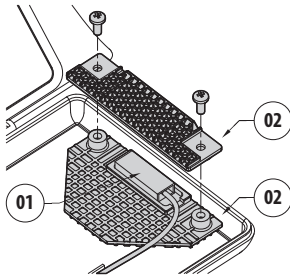


Fig. 8

Après l'installation, raccorder les câbles à la borne. (connecteur pour alimentation, 6.3 Description de la carte, page 7).

Replacer la glissière interne en serrant les vis précédemment desserrées.

## 7.2 Alimentation pour caméra

### 7.2.1 Installation de l'alimentateur pour caméra

**!** Pas utilisable pour les caissons équipés de système essuie-glace installé.

**!** Il faut faire attention à la valeur de tension utilisée en alimentant le circuit. Selon les exigences utiliser le kit d'alimentation approprié.

Les alimentateurs qui peuvent être installés sont de 2 catégories selon les exigences.

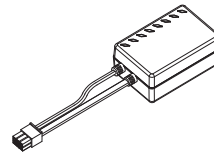


Fig. 9  $V_{IN}$  de 100Vac à 240Vac,  $V_{OUT}$  12Vdc.

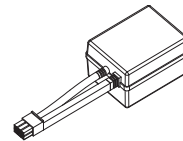


Fig. 10  $V_{IN}$  230Vac,  $V_{OUT}$  24Vac.

Ouvrir le caisson comme décrit (6.1 Ouverture du caisson, page 6).

En utilisant la vis (01) fixer la bride de soutien (02). Positionner l'alimentateur (03) sur la bride de soutien. Fixer le tout avec les vis (04) et la bride de fixation d'angle (05).

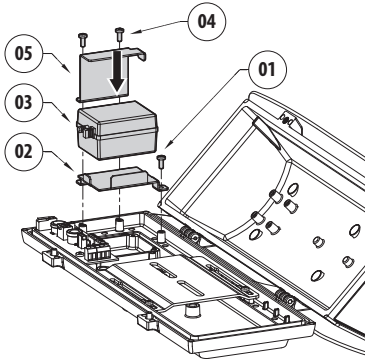


Fig. 11

Insérer le connecteur femelle multipolaire dans connecteur mâle correspondant (J7, 6.3 Description de la carte, page 7).

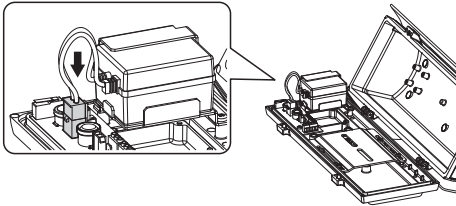


Fig. 12

## 7.3 Ventilateur

### 7.3.1 Installation du ventilateur

**⚠ Pas utilisable dans les versions avec double filtre pour le changement d'air et essuie-glace.**

**⚠ Il faut faire attention au valeur de tension utilisée en alimentant le circuit. Selon les exigences utiliser le kit d'alimentation approprié.**

**⚠ Le ventilateur doit être monté d'après les instructions pour garantir une bonne circulation de l'air à l'intérieur du caisson.**

Ouvrir le caisson comme décrit (6.1 Ouverture du caisson, page 6).

Fixer le ventilateur à l'aide du petit étrier de support en angle fournie en utilisant les vis.

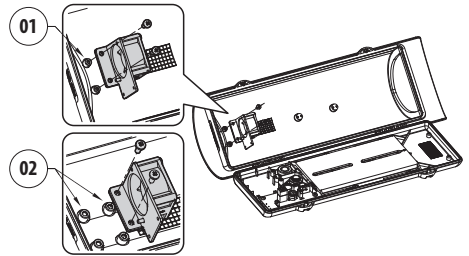


Fig. 13

Insérer le connecteur femelle multipolaire dans connecteur mâle correspondant (J8, 6.3 Description de la carte, page 7).



## 8 Instructions de fonctionnement courant



**Ne pas utiliser l'essuie-glace lorsque la température extérieure est inférieure à 0°C ou en cas de givre.**

## 9 Entretien et nettoyage



**Sectionner l'alimentation électrique avant toute intervention technique sur l'appareil.**

### 9.1 Entretien de la vitre et des parties en plastique



**On doit éviter alcool éthylique, solvants, hydrocarbures hydro-génés, acides forts et alcali. L'emploi de ce type de produits abîme d'une façon irréparable la surface traitée.**

Il est conseillé d'utiliser un chiffon souple avec des savons neutres dilués avec de l'eau ou des produits spécifiques pour le nettoyage des verres des lunettes.

## 10 Élimination des déchets



**Ce symbole et le système de recyclage ne sont appliqués que dans les pays UE et non dans les autres pays du monde.**

Votre produit est conçu et fabriqué avec des matériaux et des composants de qualité supérieure qui peuvent être recyclés et réutilisés.

Ce symbole signifie que les équipements électriques et électroniques en fin de vie doivent être éliminés séparément des ordures ménagères.

Nous vous prions donc de confier cet équipement à votre Centre local de collecte ou Recyclage.

Dans l'Union Européenne, il existe des systèmes sélectifs de collecte pour les produits électriques et électroniques usagés.

# 11 Données techniques

## 11.1 Généralités

Construction en aluminium

Double toit en ABS

Vernissage avec poudres époxypolyester, couleur RAL9002

Visserie extérieure en acier inox

## 11.2 Mécanique

Presse-étoupes: 3xM16

Fenêtre en verre (WxH): 118x75mm

Surface intérieure utile (WxH): 100x70mm

Longueur intérieure utile (avec ou sans accessoires): 250mm

Poids net: 3kg

## 11.3 Électrique

Tension d'alimentation/Courant absorbé (Version vide):

- De 12Vdc jusqu'à 24Vdc, 1A max
- De 12Vac jusqu'à 24Vac, 1A max, 50/60Hz
- De 120Vac jusqu'à 230Vac, 400mA max, 50/60Hz

Tension d'alimentation/Courant absorbé (version avec chauffage, Ton 15°C±3°C, Toff 22°C±3°C):

- De 12Vdc jusqu'à 24Vdc, 3A max
- De 12Vac jusqu'à 24Vac, 3A max, 50/60Hz
- De 120Vac jusqu'à 230Vac, 400mA max, 50/60Hz

Tension d'alimentation/Courant absorbé (version avec ventilateur à cycle continu pour assistance chauffage):

- 12Vdc, 400mA max
- 24Vac, 200mA max, 50/60Hz
- De 100Vac jusqu'à 240Vac, 40mA max, 50/60Hz (avec alimentation wide-range)

Tension d'alimentation/Courant absorbé (version avec ventilateur et thermostat avec double filtre pour le renouvellement de l'air, Ton 35°C±3°C, Toff 20°C±3°C):

- 12Vdc, 400mA max
- 24Vac, 200mA max, 50/60Hz

Tension d'alimentation/Courant absorbé (version avec essuie-glace intégré):

- 24Vac, 1.85A max, 50/60Hz
- 230Vac, 40mA max, 50/60Hz

Alimentation pour caméra:

- $V_{IN}$  de 100Vac jusqu'à 240Vac, 50/60Hz  
 $V_{OUT}$  12Vdc, 1A
- $V_{IN}$  230Vac, 50/60Hz  
 $V_{OUT}$  24Vac, 400mA, 50/60Hz

## 11.4 Environnement

Intérieur/Extérieur

Température de fonctionnement (avec chauffage): De -20°C a +60°C

Résistant au brume saline, jusqu'à 1000 heures (ISO9227)

## 11.5 Certifications

Sécurité électrique (CE): EN60950-1

Compatibilité électromagnétique (CE): EN50130-4, EN61000-6-3

Installation à l'extérieur (CE): EN60950-22, IEC 60950-22

Degré de protection IP: EN60529

- IP66/IP67 (avec presse-étoupes)
- IP66/IP67 (avec bagues d'étanchéité et support pour passage interne des câbles)
- IP55 (avec support pour passage interne des câbles)
- IP44 (avec double filtre pour le renouvellement de l'air)

Certification UL: cULus Listed, TYPE 4X (à l'exception des versions avec double filtre pour l'échange d'air HOV32K1A018, HOV32K2A016, HOV32K2A017, HOV32K2A147 et la version avec essuie-glace 230Vac HOV32K1A100)

Certification EAC

# 12 Dessins techniques

**i** Les dimensions des dessins sont exprimées en millimètres.

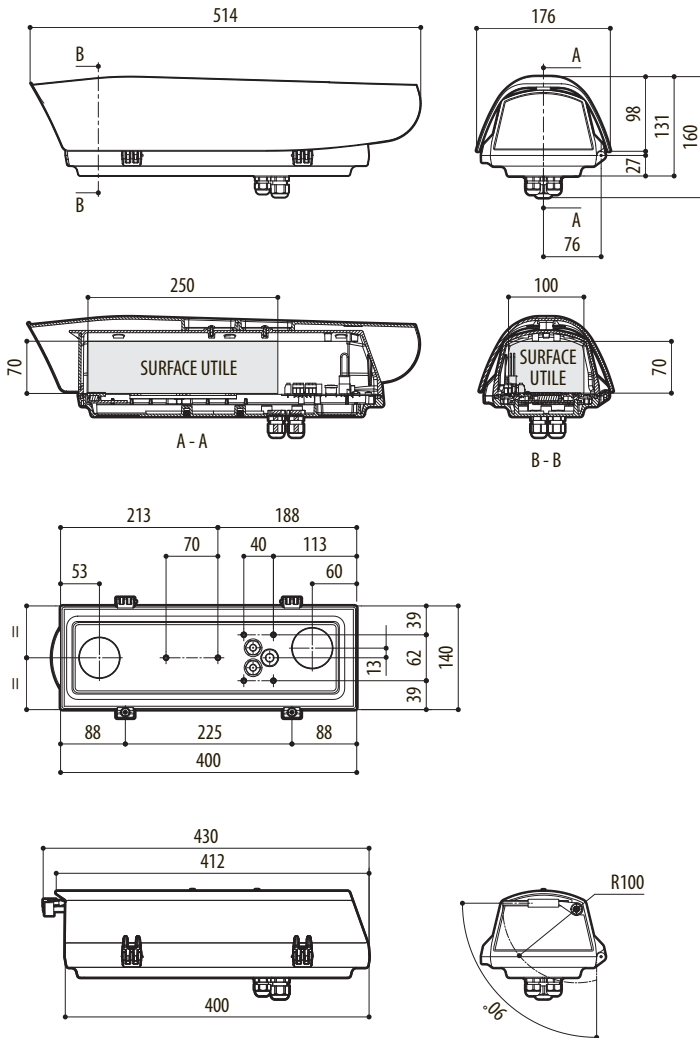


Fig. 14 HOV.

**Headquarters Italy** Videotec S.p.A.

Via Friuli, 6 - I-36015 Schio (VI) - Italy

Tel. +39 0445 697411 - Fax +39 0445 697414

Email: [info@videotec.com](mailto:info@videotec.com)

**Asia Pacific** Videotec (HK) Ltd

Flat 8, 19/F. On Dak Industrial Building, No. 2-6 Wah Sing Street

Kwai Chung, New Territories - Hong Kong

Tel. +852 2333 0601 - Fax +852 2311 0026

Email: [info.hk@videotec.com](mailto:info.hk@videotec.com)

**France** Videotec France SARL

Immeuble Le Montreal, 19bis Avenue du Québec, ZA de Courtaboeuf  
91140 Villebon sur Yvette - France

Tel. +33 1 60491816 - Fax +33 1 69284736

Email: [info.fr@videotec.com](mailto:info.fr@videotec.com)

**Americas** Videotec Security, Inc.

Gateway Industrial Park, 35 Gateway Drive, Suite 100  
Plattsburgh, NY 12901 - U.S.A.

Tel. +1 518 825 0020 - Fax +1 518 825 0022

Email: [info.usa@videotec.com](mailto:info.usa@videotec.com) - [www.videotec.us](http://www.videotec.us)

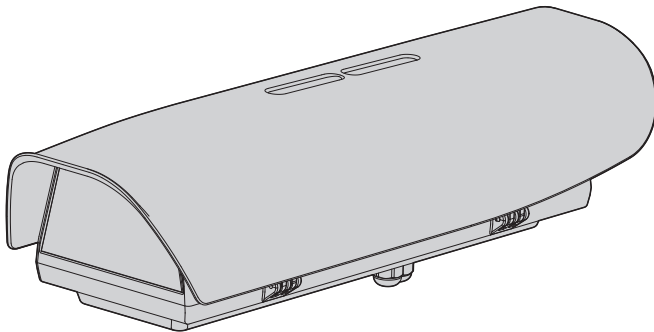


[www.videotec.com](http://www.videotec.com)

MNVCHOV32\_1511\_FR

# HOV

Aluminiumgehäuse mit Seitenöffnung



# Inhaltsverzeichnis

<b>1 Allgemeines .....</b>	<b>3</b>
1.1 Schreibweisen.....	3
<b>2 Anmerkungen zum Copyright und Informationen zu den Handelsmarken.....</b>	<b>3</b>
<b>3 Sicherheitsnormen .....</b>	<b>3</b>
<b>4 Identifizierung .....</b>	<b>4</b>
4.1 Beschreibung und Bezeichnung des Produktes.....	4
4.2 Kennzeichnung des Produkts.....	4
<b>5 Vorbereitung des Produktes auf den Gebrauch.....</b>	<b>5</b>
5.3 Entfernen der Verpackung .....	5
5.4 Inhalt .....	5
5.5 Sichere Entsorgung der Verpackungsmaterialien .....	5
5.6 Auf die Installation vorbereitende Tätigkeiten.....	5
5.6.1 Befestigung der Halterung.....	5
<b>6 Installation .....</b>	<b>6</b>
6.1 Öffnung des Schutzgehäuse .....	6
6.2 Installation der Kamera .....	6
6.3 Beschreibung der Karte.....	7
6.4 Anschluss der Stromversorgung.....	7
6.4.1 Kabelart.....	7
6.5 Installation der Version mit Doppelfilter für den Luftaustausch .....	8
6.6 Installation der Ausführung mit Scheibenwischer .....	8
6.7 Trockenmittelbeutel .....	8
<b>7 Zubehör .....</b>	<b>9</b>
7.1 Heizung .....	9
7.1.1 Installation der Heizung.....	9
7.2 Kameranetzteil.....	9
7.2.1 Installation des Netzteil für Kamera.....	9
7.3 Lüfter .....	10
7.3.1 Installation des Lüfters.....	10
<b>8 Anleitung für den normalen Betrieb.....</b>	<b>11</b>
<b>9 Wartung und Reinigung .....</b>	<b>11</b>
9.1 Reinigung des Glases und der Kunststoffteile .....	11
<b>10 Müllentsorgungsstellen.....</b>	<b>11</b>
<b>11 Technische Daten.....</b>	<b>12</b>
11.1 Allgemeines.....	12
11.2 Mechanik.....	12
11.3 Elektrik.....	12
11.4 Umgebung .....	12
11.5 Zertifizierungen .....	12
<b>12 Technische Zeichnungen.....</b>	<b>13</b>

# 1 Allgemeines

Lesen Sie bitte vor dem Installieren und dem Verwenden dieses Gerätes die Bedienungsanleitung sorgfältig durch. Bewahren Sie sie zum späteren Nachschlagen auf.

## 1.1 Schreibweisen



### GEFAHR!

**Erhöhte Gefährdung.**  
Stromschlaggefahr. Falls nichts anderes angegeben, unterbrechen Sie die Stromversorgung, bevor die beschriebenen Arbeiten durchgeführt werden.



### ACHTUNG!

**Mittlere Gefährdung.**  
Der genannte Vorgang hat große Bedeutung für den einwandfreien Betrieb des Systems: es wird gebeten, sich die Verfahrensweise anzulesen und zu befolgen.



### ANMERKUNG

**Beschreibung der Systemmerkmale.**  
Eine sorgfältige Lektüre wird empfohlen, um das Verständnis der folgenden Phasen zu gewährleisten.

## 2 Anmerkungen zum Copyright und Informationen zu den Handelsmarken

Die angeführten Produkt- oder Firmennamen sind Handelsmarken oder eingetragene Handelsmarken.

# 3 Sicherheitsnormen



**ACHTUNG! Die Installation und Wartung der Vorrichtung ist technischen Fachleuten vorbehalten.**



**ACHTUNG! Die elektrische Anlage, an der die Einheit angeschlossen ist, muss mit einem automatischen zweipoligen Schutzschalter versehen werden. Der Schalter für die mit Netzspannung betriebenen Einheiten muss eine Auslöseschwelle von max. 20A haben. Der Schalter für die mit Niederspannung betriebenen Einheiten muss eine Auslöseschwelle von max. 6A haben. Dieser Schalter muss vom Typ Listed sein. Zwischen den Kontakten muss mindestens ein Abstand von 3mm vorhanden sein. Der Schalter muss eine Schutzeinrichtung gegen Erde Fehlerstrom (Differenzial) und gegen Überstrom haben (magnetothermisch).**

- Der Hersteller lehnt jede Haftung für eventuelle Schäden ab, die aufgrund unsachgemäßer Anwendung der in diesem Handbuch erwähnten Geräte entstanden ist. Ferner behält er sich das Recht vor, den Inhalt ohne Vorkündigung abzuändern. Die Dokumentation in diesem Handbuch wurde sorgfältig ausgeführt und überprüft. Der Hersteller kann dennoch keine Haftung für die Verwendung übernehmen. Dasselbe gilt für jede Person oder Gesellschaft, die bei der Schaffung oder Produktion von diesem Handbuch miteinbezogen ist.
- Unterbrechen Sie die Stromversorgung, bevor die beschriebenen Arbeiten durchgeführt werden.
- Es dürfen keine Kabel mit Verschleiß- oder Alterungsspuren verwendet werden.
- Unter keinen Umständen dürfen Veränderungen oder Anschlüsse vorgenommen werden, die in diesem Handbuch nicht genannt sind. Der Gebrauch ungeeigneten Geräts kann die Sicherheit des Personals und der Anlage schwer gefährden.
- Es dürfen nur Original-Ersatzteile verwendet werden. Nicht originale Ersatzteile können zu Bränden, elektrischen Entladungen oder anderen Gefahren führen.
- Vor der Installation ist anhand des Kennzeichnungsschildes nachzuprüfen, ob das gelieferte Material die gewünschten Eigenschaften (4.2 Kennzeichnung des Produkts, Seite 4).

- Die Einrichtung ist für den dauerhaften Einbau in ein Gebäude oder eine andere geeignete Struktur konzipiert. Vor jeder Operation muss die Einrichtung dauerhaft eingebaut werden.
- Die nationalen Vorschriften für die Installation der Einrichtung sind einzuhalten.
- Die Installationskategorie (auch als Überspannungskategorie bezeichnet) gibt den Pegel der Netzspannungsstöße an, denen die Ausrüstung ausgesetzt ist. Die Kategorie hängt vom Installationsort der Ausrüstung und von den externen Schutzeinrichtungen gegen Spannungsstöße ab. Ausrüstungen in einer gewerblichen Umgebung, die direkt mit den Hauptzweigen der Versorgungsanlage verbunden sind, gehören zur Installationskategorie III. In diesem Fall ist eine Abstufung auf Installationskategorie II erforderlich. Dies kann durch den Einsatz eines Isoliertransformators mit einem geerdeten Schirm zwischen Primär- und Sekundärwicklung erreicht werden. Alternativ können UL-gelistete Überspannungsschutzvorrichtungen (SPD) von Fase zu Nullleiter und von Nullleiter zur Erde geführt werden. UL-gelistete Überspannungsschutzvorrichtungen sind für die wiederholte Begrenzung kurzzeitig auftretender Spannungsspitzen und für die folgenden nominellen Betriebsbedingungen auszulegen: Typ 2 (Dauerhaft angeschlossene Überspannungsschutzvorrichtungen für die Installation auf der Ladungsseite der Hilfseinrichtung); Nennladestrom (In) 20kA min. Benutzt werden können beispielsweise: FERRAZ SHAWMUT, STT2240SPG-CN, STT2BL240SPG-CN, spezifiziert für 120Vac/240Vac, (In=20kA). Der maximale Abstand zwischen dem Einbau und der Abkürzung ist 5m.
- Jede Art in das Produkt installierbares Gerät muss den geltenden Sicherheitsnormen genügen.
- Bei einer Installation vom Typ NEMA TYPE 4X müssen die Kabelverschraubungen des Produkts durch Kabelverschraubungen vom Typ NEMA TYPE 4X ersetzt werden.
- Benutzen Sie für alle Verbindungen Kabel, die bis mindestens 75°C hitzebeständig sind.
- Das Produkt kann nur für entsprechend zertifizierte Kameras benutzt werden (7W max).
- Eine sofort und problemlos zugängliche Abtrennvorrichtung muss in die Elektroanlage des Gebäudes eingebaut werden, um einen schnellen Eingriff zu garantieren.
- Für den Anschluss der Versorgungsleitung den entsprechenden Anschlusskasten verwenden (UPTJBUL). Für weitere Informationen siehe Bedienungs- und Installationshandbuch des Produktes.
- Für den Anschluss der Netzleiter an die Klemmen Listed-Kabelschuhe verwenden. Die Kabelschuhe müssen für die Art der Installation geeignet sein. (von -20°C a +80°C min., V-0). Beispiele für Kabelschuhe: RP, BP o YP (Cembre).

## 4 Identifizierung

### 4.1 Beschreibung und Bezeichnung des Produktes

Robustes Aluminiumgehäuse, das zur Vereinfachung von Installation und Wartung konstruiert ist und vollständigen Schutz gegen alle Umgebungsbedingungen bietet.

Aufgrund seiner Abmessungen eignet es sich für die Aufnahme diverser Kombinationen aus Standardkameras und festen Optiken oder kompakten Zoomoptiken.

Äußerst einfache Installation, durch die seitliche Öffnung wird der Zugang zur Videokamera, den Optiken und allen innenliegenden Anschlüssen erleichtert.

Für die unterschiedlichen Anforderungen in verschiedenen Einsatzbereiche stehen zahlreiche Optionen wie Heizug, Lüftung und Filter, sowie Kamera-Netzteile und Scheibenwischer zur Verfügung.

### 4.2 Kennzeichnung des Produkts

Siehe die Etikett auf dem Produkt.



## 5 Vorbereitung des Produktes auf den Gebrauch



**Jede vom Hersteller nicht ausdrücklich genehmigte Veränderung führt zum Verfall der Gewährleistungsrechte.**

### 5.3 Entfernen der Verpackung

Bei der Lieferung des Produktes ist zu prüfen, ob die Verpackung intakt ist oder offensichtliche Anzeichen von Stürzen oder Abrieb aufweist.

Bei offensichtlichen Schadensspuren an der Verpackung muss umgehend der Lieferant verständigt werden.

Bewahren Sie die Verpackung auf für den Fall, dass das Produkt zur Reparatur eingesendet werden muss.

### 5.4 Inhalt

Prüfen Sie, ob der Inhalt mit der nachstehenden Materialliste übereinstimmt:

- Gehäuse
- Innensechskantschlüssel:
  - Innensechskantschlüssel
  - Abstandsstücke
  - Dichtungen für Kabelverschraubungen
  - Kabelverschraubungen (x3)
  - Schrauben
  - Schrauben für Kamera
- Bedienungsanleitung
- Trockenmittelbeutel

## 5.5 Sichere Entsorgung der Verpackungsmaterialien

Die Verpackungsmaterialien sind vollständig wiederverwertbar. Es ist Sache des Installationstechnikers, sie getrennt, auf jeden Fall aber nach den geltenden Vorschriften des Anwendungslandes zu entsorgen.

Im Falle der Rückgabe des nicht korrekt funktionierenden Produktes empfiehlt sich die Verwendung der Originalverpackung für den Transport.

## 5.6 Auf die Installation vorbereitende Tätigkeiten

### 5.6.1 Befestigung der Halterung



**Das Produkt muss mit geeigneten Mitteln befestigt werden. Die Befestigungsmittel müssen die mechanische Festigkeit beim Anlegen von mindestens dem 4-fachen Gesamtgewicht des Gerätes garantieren.**

## 6 Installation

### 6.1 Öffnung des Schutzgehäuse

Die beiden an der Flanke befindlichen Schrauben abdrehen, nun die Haube und den oberen Korpus um die Achse der Öffnungsscharniere drehen.

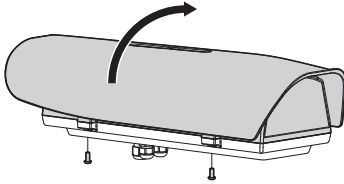


Abb. 1

**i** Am Ende der Montage und der Verkabelung das Gehäuse schliessen.

### 6.2 Installation der Kamera



**Die Stromversorgung muss über die Karte erfolgen, die im Lieferumfang des Geräts enthalten ist. Prüfen, dass die Spannungswerte angemessen sind.**

Das Gehäuse öffnen wie beschrieben (6.1 Öffnung des Schutzgehäuse, Seite 6).

Die Befestigungsschrauben teilweise lösen (01).

Nun den Innerschlitten (02) soweit gleiten lassen, bis seine Bohrungen mit den Befestigungsschrauben übereinstimmen.

Befestigen Sie die Kamera mit der 1/4"-Schraube (03). Falls erforderlich, kommen die mitgelieferten Distanzstücke zum Einsatz, um Kamera und Optik korrekt unterzubringen. (04).

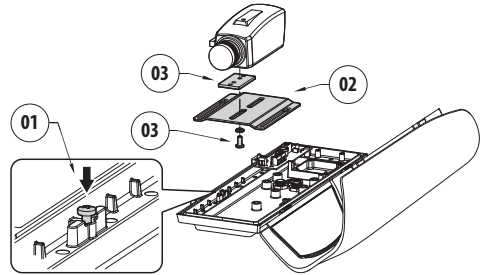


Abb. 2

Den internen Schlitten wieder an Ort und Stelle bringen und die zuvor gelockerten Schrauben festziehen.

Die Schutzummantelung der Leiter entfernen und die Leiter an die Klemme anschließen (J5, 6.3 Beschreibung der Karte, Seite 7).

Die Leiter des Kabels für die Versorgung der Kamera müssen in Klemmennähe fest miteinander mit einem Kabelbinder verbunden werden. Die Versorgungskabel von den Signalkabeln getrennt halten.

## 6.3 Beschreibung der Karte



Die Schutz Erde an Verbinder J1 mit der zugehörigen Klemme anschließen.



Die Abbildung kann von der tatsächlichen Karte abweichen.



Je nach Geräteausführung verfügt die Karte möglicherweise nicht über alle Funktionen.

### BESCHREIBUNG DER KARTE

Verbinder	Funktion
J1	Platinenversorgung ( $V_{IN}$ ) <sup>1</sup>
J2	Hilfsausgang ( $V_{OUT}$ ) <sup>2</sup>
J3	Heizungsversorgung ( $V_{OUT}$ )
J4	Kontakte des Öffnungsschutzschalters <sup>3</sup>
J5	Kameraversorgung ( $V_{OUT}$ ) <sup>4</sup>
J7	Verbinder für Netzteil/Überbrückung <sup>5</sup>
J8	Stromversorgung des Lüfters ( $V_{OUT}$ )
SW1	Öffnungssicherer Switch <sup>3</sup>

**Tab. 1** <sup>1</sup> Von 100Vac a 240Vac, 24Vac o 12Vdc.

<sup>2</sup> Die gleiche Spannung liegt an der Versorgungsklemme der Platine (J1).

<sup>3</sup> Wahlfrei.

<sup>4</sup> Je nach Ausführung sind mehrere Alternativen möglich.  $V_{OUT} = 12Vdc$  o  $V_{OUT} = 24Vac$ , je nach Art des installierten Netzteils (7.2.1 Installation des Netzteil für Kamera, Seite 9).  $V_{OUT} = V_{IN}$ , nur für mit 12Vdc oder 24Vac versorgte Gehäuse, mit angeschlossener Brücke (J7).

<sup>5</sup> Um ein 12V-Gleichstrom- oder 24V-Wechselstrom-Netzteil zu installieren, bitte das entsprechende Kapitel beachten. (7.2.1 Installation des Netzteil für Kamera, Seite 9).

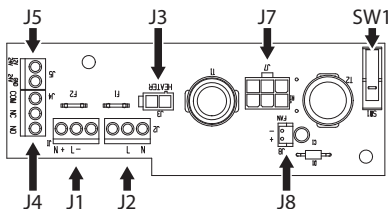


Abb. 3

## 6.4 Anschluss der Stromversorgung



Das Erdungskabel muss um etwa 10mm länger sein, als die anderen beiden Kabel, um das ungewollte Lösen durch Ziehen des Kabels zu verhindern.

Die Kabel für den Anschluss an die Versorgungsleitung durch die Kabelverschraubungen ins Gehäuseinnere führen. Die Kabelverschraubungen eignen sich für Leiter mit Durchmesser zwischen 5mm und 10mm. Der Kabelabschnitt im Gehäuse muss ausreichend lang sein, damit der Anschluss möglich ist. Ziehen Sie die Kabelverschraubungen in geeigneter Weisefest.

Die Schutzummantelung der Leiter entfernen und die Leiter an die Klemme anschließen (J1, 6.3 Beschreibung der Karte, Seite 7).

### 6.4.1 Kabelart

Die für den Anschluss an die Versorgungsleitung benutzte Kabelart muss für den vorgesehenen Gebrauch geeignet sein. Beachten Sie die geltenden nationalen Vorschriften bezüglich Elektroinstallationen.

## 6.5 Installation der Version mit Doppelfilter für den Luftaustausch

**i** Während der Installation auf die Ausrichtung der Luftklappen am Lufteinlassfilter achten.

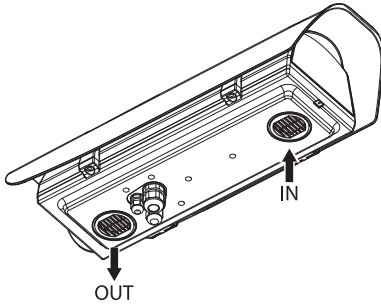


Abb. 4

Je nach Neigungswinkel des Gehäuses müssen die Luftklappen am Filter so ausgerichtet sein, dass bei Regen kein Wasser eindringen kann.

Das Gehäuse auf der Halterung gemäß den Neigungsbegrenzungen des Bildes installieren, um den Schutzgrad zu garantieren.

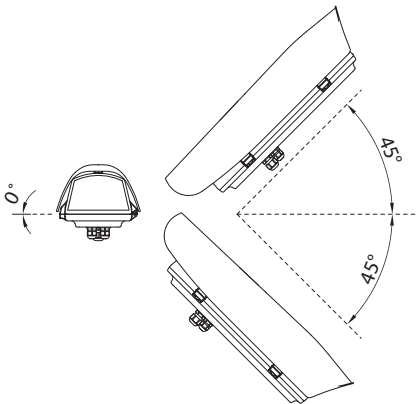


Abb. 5 Maximale Neigung der Querachse: 0°.  
Maximale Neigung der Längsachse: ±45°.

## 6.6 Installation der Ausführung mit Scheibenwischer

Das Gehäuse öffnen wie beschrieben (6.1 Öffnung des Schutzgehäuse, Seite 6).

Die Klemme der Wischerplatine ausfindig machen.

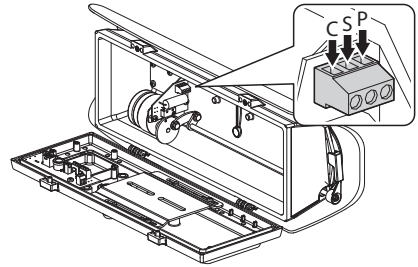


Abb. 6

Die Karte des Scheibenwischers wie in der Abbildung gezeigt an das Stromnetz anschließen.

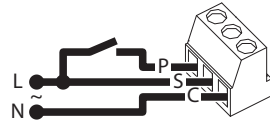


Abb. 7

Wenn die Taste gedrückt wird, wird der Scheibenwischer eingeschaltet. Beim Loslassen des Knopfes wird das Scheibenwischerblatt in die Ruhestellung geführt.

Steht ein Empfänger mit der Steuerungsfunktion Wiper zur Verfügung, müssen die Klemmen SW, PER und COM - in dieser Reihenfolge - mit den Endstücken S, P und C der Platine verbunden werden.

## 6.7 Trockenmittelbeutel

Nehmen Sie den Trockenmittel- Salzbeutel aus seiner Verpackung und setzen Sie ihn in der Produkt.

# 7 Zubehör

**i** Für weitere Details zur Konfiguration und zum Gebrauch beachten Sie bitte das Handbuch des entsprechenden Geräts.

## 7.1 Heizung

### 7.1.1 Installation der Heizung

Das Gehäuse öffnen wie beschrieben (6.1 Öffnung des Schutzgehäuse, Seite 6).

Reichen Sie den Heizungsdraht durch die vorgesehenen Halterungen.

Der vorverkabelte Heizwiderstand (01) muß, bevor er befestigt wird, zwischen die beiden Ableiter (02) gesetzt werden, damit der Kontakt gewährleistet ist und die Wärme richtig übertragen wird.

Reichen Sie die Heizungverkabelung unter dem Kamerabefestigungsschlitten.

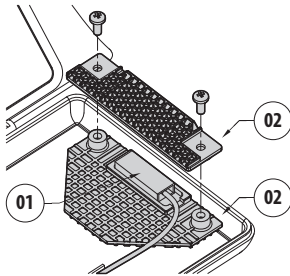


Abb. 8

Am Ende der Montage die Verkabelung an die Klemme verbinden (Verbinder für Netzteil, 6.3 Beschreibung der Karte, Seite 7).

Den internen Schlitten wieder an Ort und Stelle bringen und die zuvor gelockerten Schrauben festziehen.

## 7.2 Kameranetzteil

### 7.2.1 Installation des Netzteil für Kamera

**!** Nicht anwendbar in Gehäusen mit installiertem Scheibenwischer.

**!** Wenn der Schaltkreis gespeist wird, muß auf Versorgungsspannungswert geachtet werden. Verwenden Sie das für den Einzelfall geeignete Netzgerät.

Es lassen sich je nach Bedarf 2 Kategorien von Netzadaptern installieren.

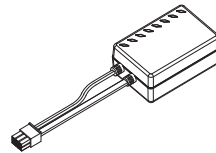


Abb. 9  $V_{IN}$  von 100Vac a 240Vac,  $V_{OUT}$  12Vdc.

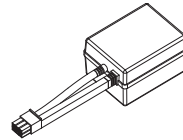


Abb. 10  $V_{IN}$  230Vac,  $V_{OUT}$  24Vac.

Das Gehäuse öffnen wie beschrieben (6.1 Öffnung des Schutzgehäuse, Seite 6).

Mit der Schraube (01) den Haltebügel (02) befestigen. Das Netzteil (03) auf den Haltebügel stellen. Alles mit den Schrauben (04) und der Winkelkonsole (05) befestigen.

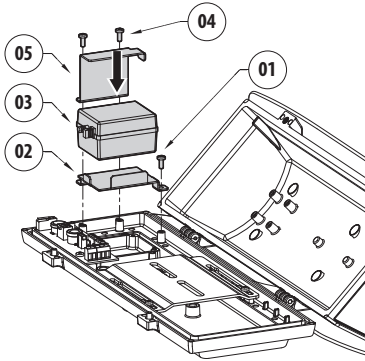


Abb. 11

Die mehrpolige Kupplungsbuchse mit dem entsprechenden Stecker verbinden. (J7, 6.3 Beschreibung der Karte, Seite 7).

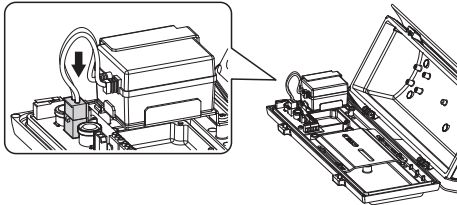


Abb. 12

## 7.3 Lüfter

### 7.3.1 Installation des Lüfters



**Nicht anwendbar in den Ausführungen mit Doppelfilter und Scheibenwischer für den Luftaustausch.**



**Wenn der Schaltkreis gespeist wird, muß auf Versorgungsspannungswert geachtet werden. Verwenden Sie das für den Einzelfall geeignete Netzgerät.**



**Der Lüfter ist nach der Anleitung einzubauen, damit die Luft im Gehäuseinnern richtig zirkulieren kann.**

Das Gehäuse öffnen wie beschrieben (6.1 Öffnung des Schutzgehäuse, Seite 6).

Benutzen Sie die mitgelieferten Schrauben und die winkelförmige Bügelhalterung zur Befestigung des Lüfters.

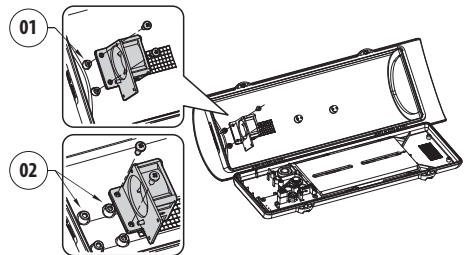



Abb. 13

Die mehrpolige Kupplungsbuchse mit dem entsprechenden Stecker verbinden. (J8, 6.3 Beschreibung der Karte, Seite 7).

## 8 Anleitung für den normalen Betrieb

---

 **Der Scheibenwischer ist bei Aussentemperaturen unter 0°C oder bei Glas nicht zu betätigen.**

---

## 9 Wartung und Reinigung


---

 **Vor technischen Eingriffen am Gerät muss die Stromversorgung unterbrochen werden.**

---

### 9.1 Reinigung des Glases und der Kunststoffteile

---


 **Zu vermeiden sind Äthylalkohol, Lösungsmittel, hydrierte Kohlenwasserstoffe, starke Säuren und Alkali. Diese Produkte können die behandelte Oberfläche beschädigen.**

---

Es wird empfohlen, ein weiches Tuch und neutrale mit Wasser verdünnte Seife oder ein spezifisches Reinigungsmittel für Brillengläser zu verwenden.

## 10 Müllentsorgungsstellen

---

 **Dieses Symbol und das entsprechende Recycling-System gelten nur für EULänder und finden in den anderen Ländern der Welt keine Anwendung.**

---

Ihr Produkt wurde entworfen und hergestellt aus qualitativ hochwertigen Materialien und Komponenten, die recycelt und wiederverwendet werden können.

Dieses Symbol bedeutet, daß elektrische und elektronische Geräte am Ende ihrer Nutzungsdauer von Hausmüll getrennt entsorgt werden sollen.

Bitte entsorgen Sie dieses Gerät bei Ihrer örtlichen Sammelstelle oder im Recycling Centre.

In der Europäischen Union gibt es unterschiedliche Sammelsysteme für Elektrik- und Elektronikgeräte.

# 11 Technische Daten

## 11.1 Allgemeines

Aus Aluminium

Sonnenschutzdach aus ABS

Pulverlackierung mit Epoxydpolyester, Farbe RAL9002

Externe Schrauben aus rostfreiem Stahl

## 11.2 Mechanik

Kabelverschraubungen: 3xM16

Glasfenster (WxH): 118x75mm

Innere Nutzabmessungen (WxH): 100x70mm

Innere Nutzlänge (mit oder ohne Zubehör): 250mm

Einheitsgewicht: 3kg

## 11.3 Elektrik

Versorgungsspannung/Stromaufnahme (leere Version):

- Von 12Vdc bis zu 24Vdc, 1A max
- Von 12Vac bis zu 24Vac, 1A max, 50/60Hz
- Von 120Vac bis zu 230Vac, 400mA max, 50/60Hz

Versorgungsspannung/Stromaufnahme (Ausführung mit Heizung, Ton 15°C±3°C, Toff 22°C±3°C):

- Von 12Vdc bis zu 24Vdc, 3A max
- Von 12Vac bis zu 24Vac, 3A max, 50/60Hz
- Von 120Vac bis zu 230Vac, 400mA max, 50/60Hz

Versorgungsspannung/Stromaufnahme (Ausführung mit Lüfter im Dauerbetrieb für Heizungshilfe):

- 12Vdc, 400mA max
- 24Vac, 200mA max, 50/60Hz
- Von 100Vac bis zu 240Vac, 40mA max, 50/60Hz (mit Wide-range Netzteil)

Versorgungsspannung/Stromaufnahme (Version mit Lüfter und Thermostat mit Doppelfilter für Luftwechsel, Ton 35°C±3°C, Toff 20°C±3°C):

- 12Vdc, 400mA max
- 24Vac, 200mA max, 50/60Hz

Versorgungsspannung/Stromaufnahme (Version mit integriertem Scheibenwischer):

- 24Vac, 1.85A max, 50/60Hz
- 230Vac, 40mA max, 50/60Hz

Kameranetzteil:

- $V_{IN}$  von 100Vac bis zu 240Vac, 50/60Hz  
 $V_{OUT}$  12Vdc, 1A
- $V_{IN}$  230Vac, 50/60Hz  
 $V_{OUT}$  24Vac, 400mA, 50/60Hz

## 11.4 Umgebung

Innen/Außen

Betriebstemperatur (mit Heizung): Von -20°C a +60°C  
Salznebelbeständig, bis 1000 Stunden (ISO9227)

## 11.5 Zertifizierungen

Elektrische Sicherheit (CE): EN60950-1

Elektromagnetische Verträglichkeit (CE): EN50130-4, EN61000-6-3

Außeninstallation (CE): EN60950-22, IEC 60950-22

Schutzart IP: EN60529

- IP66/IP67 (mit Kabelverschraubungen)
- IP66/IP67 (mit Dichtungsringe und mit Halterung für innerer Kabelführung)
- IP55 (mit Halterung mit innerer Kabelführung)
- IP44 (mit Doppelfilter für Luftwechsel)

UL- Zertifizierung: cULus Listed, TYPE 4X (mit Ausnahme für die Versionen mit Doppelfilter für den Luftaustausch, HOV32K1A018, HOV32K2A016, HOV32K2A017, HOV32K2A147, und der Version mit Wischer 230Vac, HOV32K1A100)

EAC-Zertifizierung



# 12 Technische Zeichnungen



Die Abmessungen der Zeichnungen sind in Millimeter angegeben.

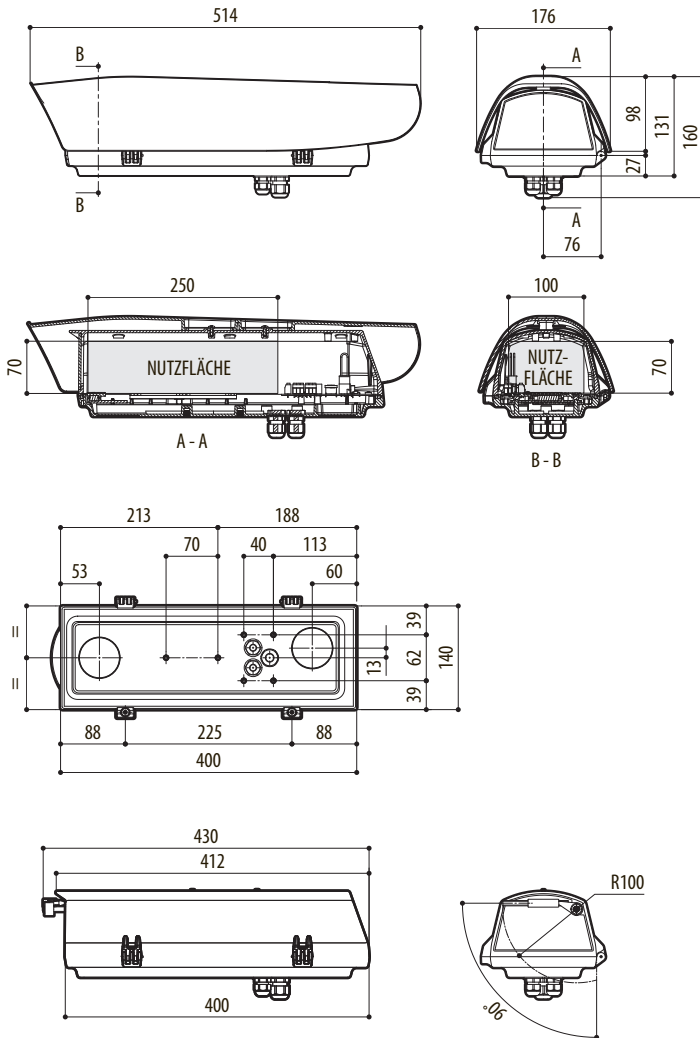


Abb. 14 HOV.

**Headquarters Italy** Videotec S.p.A.

Via Friuli, 6 - I-36015 Schio (VI) - Italy

Tel. +39 0445 697411 - Fax +39 0445 697414

Email: [info@videotec.com](mailto:info@videotec.com)

**Asia Pacific** Videotec (HK) Ltd

Flat 8, 19/F. On Dak Industrial Building, No. 2-6 Wah Sing Street

Kwai Chung, New Territories - Hong Kong

Tel. +852 2333 0601 - Fax +852 2311 0026

Email: [info.hk@videotec.com](mailto:info.hk@videotec.com)

**France** Videotec France SARL

Immeuble Le Montreal, 19bis Avenue du Québec, ZA de Courtaboeuf

91140 Villebon sur Yvette - France

Tel. +33 1 60491816 - Fax +33 1 69284736

Email: [info.fr@videotec.com](mailto:info.fr@videotec.com)

**Americas** Videotec Security, Inc.

Gateway Industrial Park, 35 Gateway Drive, Suite 100

Plattsburgh, NY 12901 - U.S.A.

Tel. +1 518 825 0020 - Fax +1 518 825 0022

Email: [info.usa@videotec.com](mailto:info.usa@videotec.com) - [www.videotec.us](http://www.videotec.us)



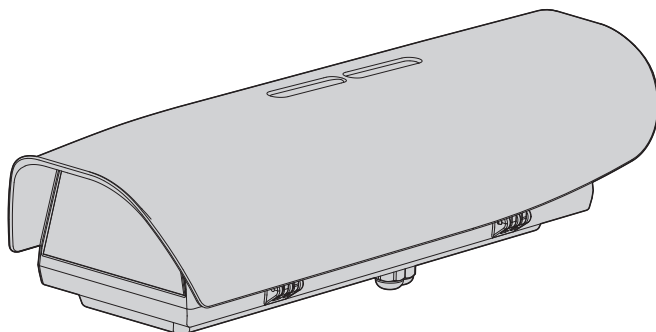
[www.videotec.com](http://www.videotec.com)

MNVCHOV32\_1511\_DE



# HOV

Откидной алюминиевый кожух камеры



# Индекс

<b>1 Информация о настоящем руководстве.....</b>	<b>3</b>
1.1 Типографские обозначения.....	3
<b>2 Примечания по авторскому праву и торговым маркам .....</b>	<b>3</b>
<b>3 Правила безопасности.....</b>	<b>3</b>
<b>4 Идентификация.....</b>	<b>4</b>
4.1 Описание и назначение изделия .....	4
4.2 Маркировка изделия .....	4
<b>5 Подготовка изделия к использованию .....</b>	<b>5</b>
5.3 Распаковка .....	5
5.4 Содержимое.....	5
5.5 Переработка в отходы в условиях безопасности материалов упаковки .....	5
5.6 Подготовительная работа перед установкой.....	5
5.6.1 Установка кронштейна .....	5
<b>6 Монтаж .....</b>	<b>6</b>
6.1 Открытие корпуса .....	6
6.2 Установка телекамеры .....	6
6.3 Описание платы .....	7
6.4 Подключение к линии питания.....	7
6.4.1 Тип кабеля .....	7
6.5 Установка версии с двойным фильтром для воздухообмена .....	8
6.6 Установка версии со стеклоочистителем.....	8
6.7 Пакетик с осушителем.....	8
<b>7 Аксессуары.....</b>	<b>9</b>
7.1 Нагреватель .....	9
7.1.1 Установка системы нагрева.....	9
7.2 Блоки питания для камер .....	9
7.2.1 Установка блока питания для телекамеры.....	9
7.3 Вентилятор .....	10
7.3.1 Установка вентилятора.....	10
<b>8 Инструкции по обычному функционированию .....</b>	<b>11</b>
<b>9 Техобслуживание и очистка.....</b>	<b>11</b>
9.1 Очистка стекла и пластмассовых частей .....	11
<b>10 Вывоз в отходы .....</b>	<b>11</b>
<b>11 Технические параметры.....</b>	<b>12</b>
11.1 Общее.....	12
11.2 Механика .....	12
11.3 Электрические характеристики.....	12
11.4 Среда .....	12
11.5 Сертификация.....	12
<b>12 Технические чертежи .....</b>	<b>13</b>

# 1 Информация о настоящем руководстве

Перед монтажом и использованием настоящего блока, внимательно прочитайте настоящее руководство. Хранить данное руководство под рукой для будущих консультаций.

## 1.1 Типографские обозначения



### **ОПАСНОСТЬ!**

**Повышенная опасность.**

**Опасность удара электрическим током. Если не указано иным образом, отключите питание, Прежде чем приступить к выполнению операций, если не указано иным образом, отключите питание.**



### **ПРЕДУПРЕЖДЕНИЕ!**

**Средняя опасность.**

**Эта операция очень важна для правильной работы системы. Просим внимательно прочитать приведенную процедуру и выполнить ее указанным способом.**



### **INFO**

**Описание характеристик системы. Рекомендуется внимательно для выполнения следующих фаз.**

## 2 Примечания по авторскому праву и торговым маркам

Упомянутые название компаний и продукции являются торговыми марками или зарегистрированными торговыми марками, принадлежащими соответствующим компаниям.

# 3 Правила безопасности



**ПРЕДУПРЕЖДЕНИЕ! Следует использовать только кронштейны или принадлежности, рекомендуемые для монтажа.**



**ПРЕДУПРЕЖДЕНИЕ! Система электропитания, к которой подключен прибор, должен быть оснащена биполярный автоматический выключатель защиты. Выключатель для узлов, работающих в условиях напряжения сети, должен иметь уровень срабатывания макс. 20А. Выключатель для узлов, работающих в условиях низкого напряжения, должен иметь уровень срабатывания макс. 6А. Этот выключатель выбирается из перечисленных в списке. Минимальное расстояние между контактами должно быть 3mm. Выключатель должен иметь защиту против пробоя тока на землю (дифференциальную) и сверхток (магнитотермический).**

- Производитель снимает с себя какую-либо ответственность за возможный ущерб, вызванный использованием не по назначению упомянутого в данном руководстве оборудования. Также сохраняется право изменять содержание без предварительного извещения. При тщательном сборе документации, содержащейся в настоящем руководстве, были сделаны все необходимые проверки. Производитель, однако, не может взять на себя какую-либо ответственность, связанную с его использованием. Это относится к любому лицу или обществу, вовлеченному в создание и производство данного руководства.
- Перед началом любой операции, убедитесь, что электропитание отключено.
- Не использовать кабели со следами повреждений или старения.
- Ни в коем случае не вносить изменений и не выполнять подключений, не предусмотренных данным руководством. Использование оборудования не по назначению, может привести к серьезным рискам и опасно, как для персонала, так и для системы.
- Используйте только оригинальные запасные части. Номера для оригинальных запасных частей может привести к пожару, электрический разряд или других опасностей.
- Перед монтажом проверить, что поставляемый материал соответствует требуемым техническим спецификациям, проверив этикетки маркировки ( 4.2 Маркировка изделия, страница 4).

- Это устройство предназначено для постоянно действующей установки на здании или на соответствующей конструкции. Устройство должно быть установлено на постоянной основе перед выполнением любой операции.
- При установке устройства должны соблюдаться национальные нормативы.
- Категория установки (называемая также категория перенапряжения) указывает уровни скачков напряжения сети, которым подвержен прибор. Категория зависит от места установки и присутствия устройств защиты от перенапряжений. Устройство для промышленных условий, подключенное к основным ответвлениям линии питания, относится к категории установки III. Если речь идет о данном случае, требуется уменьшение до категории II. Этого можно достичь с помощью разделительного трансформатора с заземленным экраном между первичной и вторичной обмоткой или с помощью устройств защиты от перенапряжений (SPD) с маркировкой UL, подключенных между фазой и нейтралью и между нейтралью и землей. Устройства SPD с маркировкой UL используются для повторяющегося подавления кратковременных перенапряжений и при следующих номинальных условиях функционирования: Тип 2 (Устройства SPD, постоянно подключенные к сети питания, для установки со стороны загрузки рабочего устройства); Номинальный ток разряда (In) минимум 20kA Например, можно использовать: FERRAZ SHAWMUT, ST23401PG-CN, ST240SPG-CN, указанные для 120/240Vac, (In=20kA). Максимальное расстояние между установкой и переходником составляет 5м.
- Каждое устройство, которое может быть установлено внутри изделия, должно соответствовать действующим нормам безопасности.
- Если установка должна быть типа NEMA TYPE 4X, монтажник должен заменить кабельные муфты изделия кабельными муфтами типа NEMA TYPE 4X.
- Для всех подключений использовать кабели, способные выдерживать, как минимум, температуру 75°C.
- Изделие разработано только для размещения телекамер, соответственно сертифицированных. (7W max).
- Размыкающее устройство, с быстрым и лёгким доступом, предназначенное для встраивания в электросистему здания и обеспечивающее быстрое срабатывание.
- Для подключения линии питания используйте специальную соединительную коробку (UPTJB UL). Для получения дополнительной информации смотреть руководство по эксплуатации и установки изделия.
- Используйте обжимные соединители Listed для подключения сетевых проводов к клеммам. Обжимные соединители должны соответствовать типу установки (от -20°C а +80°C min., V-0). Примеры обжимных соединителей: RP, BP о YP (Cembre).

## 4 Идентификация

### 4.1 Описание и назначение изделия

Крепкий алюминиевый футляр, разработанный для упрощения монтажа и техобслуживания, гарантирует полную защиту при любых условиях окружающей среды.

Размеры пригодны для установки разных комбинаций стандартных с телекамер с фиксированными объективами или компактными вариобъективами.

Очень простая для установки, боковая дверца значительно упрощает доступ к телекамере, к объективам и всем внутренним подключениям.

У кожухов имеются многочисленные дополнительные принадлежности, такие, как нагрев, вентилятор и фильтры, блок питания для телекамеры, стеклоочиститель, удовлетворяющие любые требования по применению.

### 4.2 Маркировка изделия

См. ярлык на продукт.

## 5 Подготовка изделия к использованию

---



**Любое изменение, выполненное без разрешения изготовителя, ведёт к потере гарантии.**

---

### 5.3 Распаковка

При поставке изделия убедитесь в том, что упаковка не повреждена и не имеет явных признаков падений или царапин.

В случае видимых повреждений упаковки немедленно свяжитесь с поставщиком.

Храните упаковку на случай, если необходимо отправить изделие для ремонта.

### 5.4 Содержимое

Убедитесь в том, что содержимое будет соответствовать списку материалов, приведённому ниже:

- Кожух
- Оснащение для футляра:
  - Ключ шестигранник
  - Распорки
  - Уплотнители для кабельных муфт
  - Кабельная муфта (x3)
  - Набор винтов
  - Винты для телекамеры
- Учебник инструкции
- Пакетик с осушителем

### 5.5 Переработка в отходы в условиях безопасности материалов упаковки

Материалы упаковки полностью состоят из рекуперированного материала. Техник по установке должен переработать их в отходы в соответствии с порядком дифференцированного сбора или, в любом случае, в соответствии действующими правилами в стране использования.

В случае возврата некачественной продукции, рекомендуем использовать первоначальную оригинальную упаковку для транспортировки.

### 5.6 Подготовительная работа перед установкой

#### 5.6.1 Установка кронштейна

---



**Устройство должно крепиться с помощью адекватных средств. Крепежные элементы должны гарантировать механическую герметичность, оказывая воздействие, равное хотя бы 4-кратному общему весу аппаратуры.**

---

## 6 Монтаж

### 6.1 Открытие корпуса

Отвинтите 2 винта, установленные на боку, поверните крышку и верхний корпус вокруг оси петель открывания.

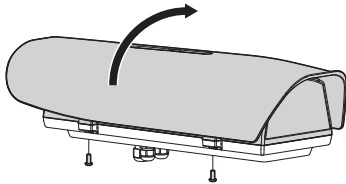


Рис. 1



По завершении операций по установке и прокладке кабеля закройте футляр.

### 6.2 Установка телекамеры



Питание может обеспечиваться платой, прилагающейся к изделию. Убедитесь в адекватности значений напряжения.

Откройте футляр как описано (6.1 Открытие корпуса, страница 6).

Частично ослабьте крепежные винты (01).

Снимите внутренние салазки (02), перемещая их до тех пор, пока не совпадут отверстия с блокировочными винтами.

Прикрепите телекамеру с помощью винта 1/4" (03). Для правильного размещения телекамеры и объектива используйте, при необходимости, прилагающиеся распорки (04).

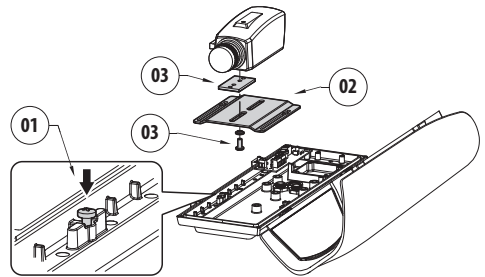


Рис. 2

Установите на место внутренние салазки, затянув ранее ослабленные винты.

Снимите защитную оплетку кабелей и подключите их к клеммам (J5, 6.3 Описание платы, страница 7).

Провода кабеля питания телекамеры должны удерживаться вместе с помощью стяжного хомутика, расположенного вблизи клеммы. Держать кабели питания отдельно от кабелей сигнала.



## 6.3 Описание платы

**⚠** Подключите защитное заземление к соответствующей клемме разъема J1.

**i** Вид платы может отличаться от показанного.

**i** Плата, в зависимости от версии продукта, может не обладать всеми функциями.

ОПИСАНИЕ ПЛАТЫ	
Разъём	Функция
J1	Питание платы ( $V_{in}$ ) <sup>1</sup>
J2	Вспомогательный выход ( $V_{out}$ ) <sup>2</sup>
J3	Питание устройства нагрева ( $V_{out}$ )
J4	Контакты выключателя антиоткрытия <sup>3</sup>
J5	Питание телекамеры ( $V_{out}$ ) <sup>4</sup>
J7	Разъём для блока питания/перемычка <sup>5</sup>
J8	Питание вентилятора ( $V_{out}$ )
SW1	Переключатель антиоткрывания <sup>3</sup>

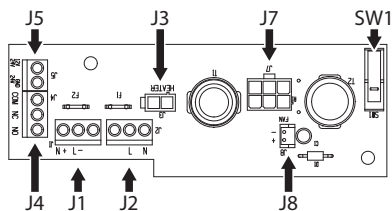
**Таб. 1** <sup>1</sup> От 100Vac а 240Vac, 24Vac о 12Vdc.

<sup>2</sup> То же напряжение, подаваемое на клемму питания платы (J1).

<sup>3</sup> Опция.

<sup>4</sup> Возможны различные альтернативы, в зависимости от версии.  $V_{out} = 12Vdc$  о  $V_{out} = 24Vac$ , в зависимости от типа м блока питания (7.2.1 Установка блока питания для телекамеры, страница 9).  $V_{out} = V_{in}$ , только для футляров, получающих питание 12Vdc или 24Vac с включенной перемычкой (J7).

<sup>5</sup> По вопросам установки блока питания 12Vdc или 24Vac обратитесь к соответствующей главе (7.2.1 Установка блока питания для телекамеры, страница 9).



**Рис. 3**

## 6.4 Подключение к линии питания

**⚠** Провод заземления должен быть длиннее двух других примерно на 10mm, с целью предотвращения случайного отсоединения по причине растяжения кабеля.

Введите кабели подключения к линии питания внутрь футляра через кабельные муфты. Кабельные муфты подходят к проводам, имеющим диаметр от 5 до 10mm. Участок кабеля внутри футляра должен иметь достаточную длину и гарантировать подключение. Затяните соответственно кабельные муфты.

Снимите защитную оплетку кабелей и подключите их к клеммам (J1, 6.3 Описание платы, страница 7).

### 6.4.1 Тип кабеля

Тип кабеля, используемого для подключения к линии питания, должен соответствовать предусмотренному использованию. Придерживайтесь действующих национальных нормативов, касающихся электрических установок.

## 6.5 Установка версии с двойным фильтром для воздухообмена



Во время установки обратите внимание на ориентировку ребер фильтра на входе воздуха.

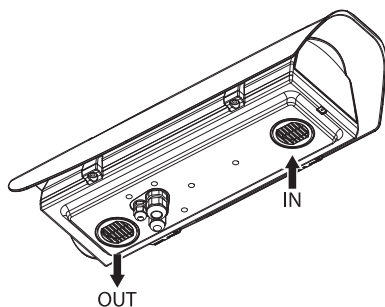


Рис. 4

В зависимости от угла наклона футляра, ориентировка ребер фильтра должна быть такой, чтобы предупредить проникновение воды в случае дождя.

В целях обеспечения соответствующей степени защиты установите футляр на кронштейн, соблюдая пределы наклона, приведенные на рисунке.

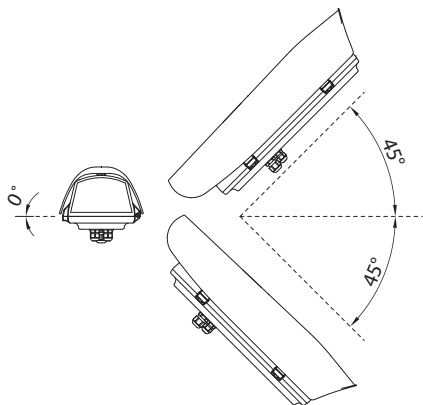


Рис. 5 Максимальный наклон поперечной оси: 0°. Максимальный наклон продольной оси:  $\pm 45^\circ$ .

## 6.6 Установка версии со стеклоочистителем

Откройте футляр как описано (6.1 Открытие корпуса, страница 6).

Определите клемму платы стеклоочистителя.

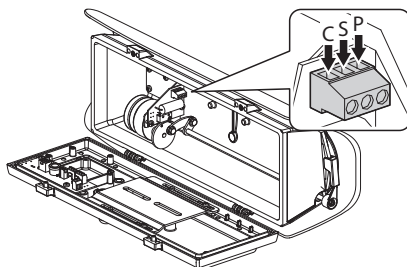


Рис. 6

Подключите плату стеклоочистителя к сети питания, как показано на рисунке.

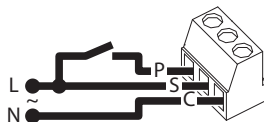


Рис. 7

Нажатие на кнопку активирует стеклоочиститель. При отпускании кнопки щетка стеклоочистителя возвращается в исходное положение.

Если есть приемник с функцией команды Wiper, подключите клеммы SW, PER и COM соответственно к выводам S, P и C платы.

## 6.7 Пакетик с осушителем

Извлеките пакетик с осушителем из упаковки и вставьте его в изделие.

## 7 Аксессуары

**i** Для дополнительной информации по конфигурации и использованию обращайтесь к руководству по эксплуатации соответствующего оборудования.

### 7.1 Нагреватель

#### 7.1.1 Установка системы нагревания

Откройте футляр как описано (6.1 Открытие корпуса, страница 6).

Прикрепите наборы для нагревания в точках, имеющих на корпусе футляра.

Проводной нагревательный элемент (01) должен быть установлен между 2 рассеивателями (02) перед фиксацией; это необходимо для обеспечения контакта и правильной передачи тепла.

Пропустите кабель системы нагревания под салазками для крепления телекамеры.

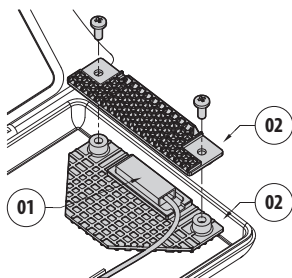


Рис. 8

По завершении монтажа подключите кабель к клемме (разъем для блока питания, 6.3 Описание платы, страница 7).

Установите на место внутренние салазки, затянув ранее ослабленные винты.

## 7.2 Блоки питания для камер

### 7.2.1 Установка блока питания для телекамеры

**!** Не используется в футлярах, оснащенных системой стеклоочистения.

**!** Обратите внимание на значение используемого напряжения, когда подаете напряжение на контур. В зависимости от напряжения питания правильно выберите комплект питания.

Можно устанавливать блоки питания 2 категорий, в зависимости от потребностей.

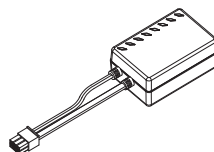


Рис. 9  $V_{IN}$  от 100Vac а 240Vac,  $V_{OUT}$  12Vdc.

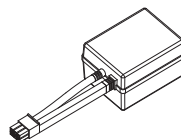


Рис. 10  $V_{IN}$  230Vac,  $V_{OUT}$  24Vac.

Откройте футляр как описано (6.1 Открытие корпуса, страница 6).

С помощью винтов (01) закрепите опорную скобу (02). Расположите блок питания (03) на опорной скобе. Прикрепите все с помощью винтов (04) и скобы углового крепления (05).

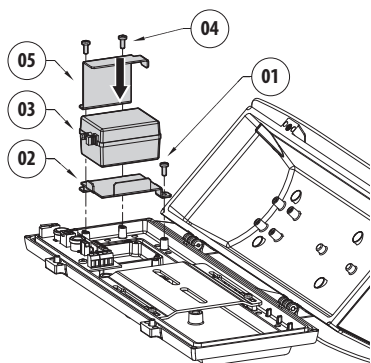


Рис. 11

Введите в многоканальный гнездовой разъем соответствующий штыревой разъем (J7, 6.3 Описание платы, страница 7).

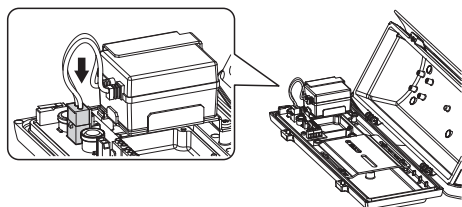


Рис. 12

## 7.3 Вентилятор

### 7.3.1 Установка вентилятора

**!** Не используется в версиях с двойным фильтром для воздухообмена и стеклоочистителем

**!** Обратите внимание на значение используемого напряжения, когда подаете напряжение на контур. В зависимости от напряжения питания правильно выберите комплект питания.

**!** Вентилятор должен быть установлен как указано в инструкциях, чтобы гарантировать правильную циркуляцию воздуха внутри футляра.

Откройте футляр как описано (6.1 Открытие корпуса, страница 6).

Прикрепите все с помощью прилагающейся угловой скобы, используя винты.

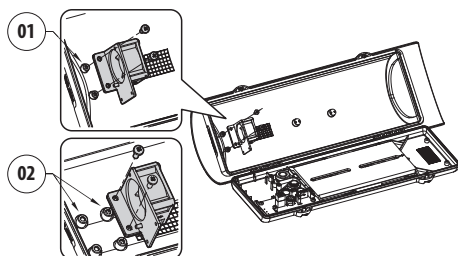


Рис. 13

Введите в многоканальный гнездовой разъем соответствующий штыревой разъем (J8, 6.3 Описание платы, страница 7).

## 8 Инструкции по обычному функционированию



Не пользуйтесь стеклоочистителем, когда внешняя температура ниже 0°C или имеется лёд.

## 9 Техобслуживание и очистка



Перед выполнением технических операций на оборудовании, отключить электропитание.

### 9.1 Очистка стекла и пластмассовых частей



Избегать применения этилового спирта, растворителей, гидрированных углеводов, сильных кислот и щелочей. Использование названных продуктов наносит непоправимый вред обрабатываемой поверхности.

Для очистки линз очков рекомендуется пользоваться мягкой тканью с раствором нейтрального мыла или специальных чистящих средств в воде.

## 10 Вывоз в отходы



Этот символ и система утилизации имеют значение только в странах ЕС и не находят применения в других странах мира.

Ваше изделие было изготовлено из материалов и компонентов высокого качества, могущих быть повторно использованными или утилизированными. Электрические и электронные материалы, на которых имеется указанный символ, в конце срока службы должны выбрасываться отдельно от бытовых отходов.

Просим вывезти это устройство в Центр сбора или на экологическую станцию.

В Европейском Сообществе существуют системы дифференцированного сбора мусора для электронных и электрических изделий.

# 11 Технические параметры

## 11.1 Общее

Корпус из алюминия

Солнечный козырек из ABS пластика

Эпоксиполиэстеровое порошковое покрытие, цвет RAL9002

Внешние винты из нержавеющей стали

## 11.2 Механика

Кабельная муфта: 3xM16

Солнечный козырек (ШxВ): 118/75mm

Полезные внутренние размеры (ШxВ): 100x70mm

Внутренняя полезная длина (с или без аксессуаров): 250mm

Вес устройства: 3kg

## 11.3 Электрические характеристики

Питание/Потребление тока (версия пустая):

- От 12Vdc до 24Vdc, 1A max
- От 12Vac до 24Vac, 1A max, 50/60Hz
- От 120Vac до 230Vac, 400mA max, 50/60Hz

Питание/Потребление тока (варианты с обогревателем, Top 15°C±3°C, Toff 22°C±3°C):

- От 12Vdc до 24Vdc, 3A max
- От 12Vac до 24Vac, 3A max, 50/60Hz
- От 120Vac до 230Vac, 400mA max, 50/60Hz

Питание/Потребление тока (версия с вентилятором с непрерывным циклом для обслуживания нагревания):

- 12Vdc, 400mA max
- 24Vac, 200mA max, 50/60Hz
- От 100Vac до 240Vac, 40mA max, 50/60Hz (с блоком питания wide-range)

Питание/Потребление тока (версия с вентилятором и термостатом для моделей с двойным фильтром для воздухообмена, Top 35°C±3°C, Toff 20°C±3°C):

- 12Vdc, 400mA max
- 24Vac, 200mA max, 50/60Hz

Питание/Потребление тока (варианты со встроенным стеклоочистителем):

- 24Vac, 1.85A max, 50/60Hz
- 230Vac, 40mA max, 50/60Hz

Блоки питания для камер:

- V<sub>IN</sub> от 100Vac до 240Vac, 50/60Hz  
V<sub>OUT</sub> 12Vdc, 1A
- V<sub>IN</sub> 230Vac, 50/60Hz  
V<sub>OUT</sub> 24Vac, 400mA, 50/60Hz

## 11.4 Среда

Внутренняя/Наружная установка

Рабочая температура (с нагревателем): От -20°C a +60°C

Защита от соленого тумана, туману 1000 часов (ISO9227)

## 11.5 Сертификация

Электрическая безопасность (CE): EN60950-1

Электромагнитная совместимость (CE): EN50130-4, EN61000-6-3

Установка снаружи (CE): EN60950-22, IEC 60950-22

Степень защиты IP корпуса: EN60529

- IP66/IP67 (с кабельной муфтой)
- IP66/IP67 (со специальными уплотнениями и кронштейн для внутренней кабельной проводкой)
- IP55 (с суппортом для внутреннего прохождения кабелей.)
- IP44 (с двойным фильтром для воздухообмена)

Сертификация UL: cULus Listed, TYPE 4X (за исключением версий с двойным фильтром для воздухообмена и стеклоочистителем NOV32K1A018, NOV32K2A016, NOV32K2A017, NOV32K2A147, и версии со стеклоочистителем 230Vac, NOV32K1A100)

Сертификат EAC

# 12 Технические чертежи

**i** Размеры в чертежах выражены в миллиметрах.

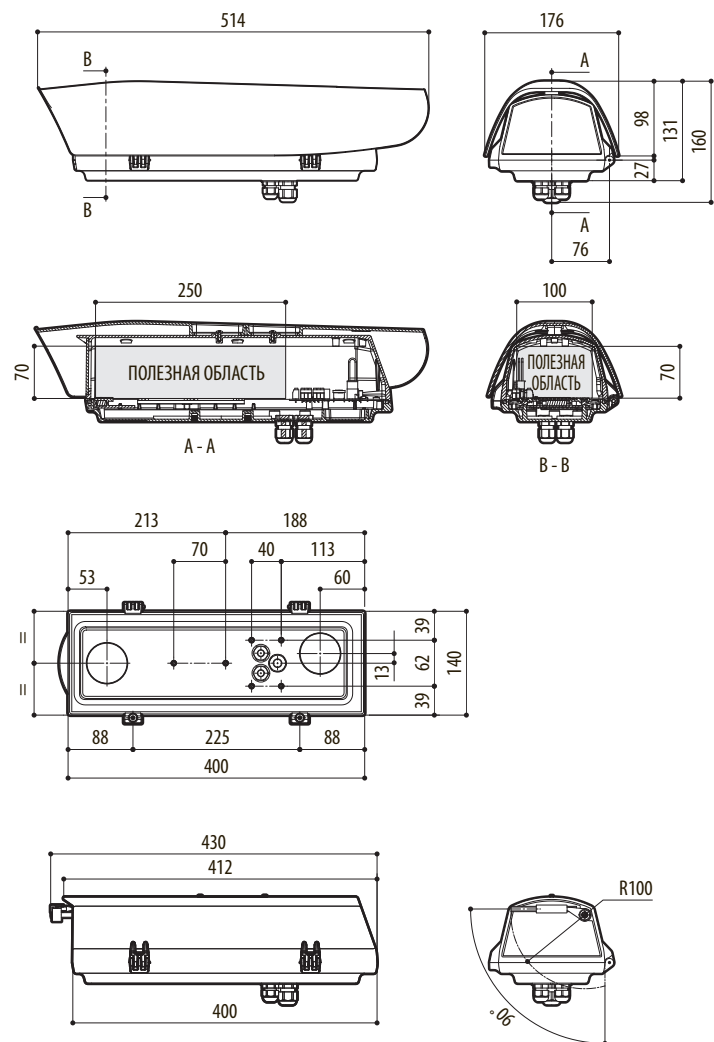


Рис. 14 НОВ.

**Headquarters Italy** Videotec S.p.A.

Via Friuli, 6 - I-36015 Schio (VI) - Italy

Tel. +39 0445 697411 - Fax +39 0445 697414

Email: [info@videotec.com](mailto:info@videotec.com)

**Asia Pacific** Videotec (HK) Ltd

Flat 8, 19/F. On Dak Industrial Building, No. 2-6 Wah Sing Street

Kwai Chung, New Territories - Hong Kong

Tel. +852 2333 0601 - Fax +852 2311 0026

Email: [info.hk@videotec.com](mailto:info.hk@videotec.com)

**France** Videotec France SARL

Immeuble Le Montreal, 19bis Avenue du Québec, ZA de Courtaboeuf  
91140 Villebon sur Yvette - France

Tel. +33 1 60491816 - Fax +33 1 69284736

Email: [info.fr@videotec.com](mailto:info.fr@videotec.com)

**Americas** Videotec Security, Inc.

Gateway Industrial Park, 35 Gateway Drive, Suite 100  
Plattsburgh, NY 12901 - U.S.A.

Tel. +1 518 825 0020 - Fax +1 518 825 0022

Email: [info.usa@videotec.com](mailto:info.usa@videotec.com) - [www.videotec.us](http://www.videotec.us)



[www.videotec.com](http://www.videotec.com)

MNVCHOV32\_1511\_RU





**Headquarters Italy** Videotec S.p.A.

Via Friuli, 6 - I-36015 Schio (VI) - Italy

Tel. +39 0445 697411 - Fax +39 0445 697414

Email: [info@videotec.com](mailto:info@videotec.com)

**Asia Pacific** Videotec (HK) Ltd

Flat 8, 19/F. On Dak Industrial Building, No. 2-6 Wah Sing Street

Kwai Chung, New Territories - Hong Kong

Tel. +852 2333 0601 - Fax +852 2311 0026

Email: [info.hk@videotec.com](mailto:info.hk@videotec.com)

**France** Videotec France SARL

Immeuble Le Montreal, 19bis Avenue du Québec, ZA de Courtaboeuf  
91140 Villebon sur Yvette - France

Tel. +33 1 60491816 - Fax +33 1 69284736

Email: [info.fr@videotec.com](mailto:info.fr@videotec.com)

**Americas** Videotec Security, Inc.

Gateway Industrial Park, 35 Gateway Drive, Suite 100  
Plattsburgh, NY 12901 - U.S.A.

Tel. +1 518 825 0020 - Fax +1 518 825 0022

Email: [info.usa@videotec.com](mailto:info.usa@videotec.com) - [www.videotec.us](http://www.videotec.us)



[www.videotec.com](http://www.videotec.com)

MNVCHOV32\_1511