



DI-9101E

Intelligent Combination Heat Photoelectric Smoke Detector



Description

DI-9101E Intelligent Combined Heat Photoelectric Smoke Detector integrates photoelectric detection, fixed temperature and rate of rise detection technology. The smoke sensor and heat sensor are integrated in mechanism and circuitry structure, provide wide range of application, to detect more types of fire conditions like black smoke with small particles and alcohol flame.

Features and Benefits

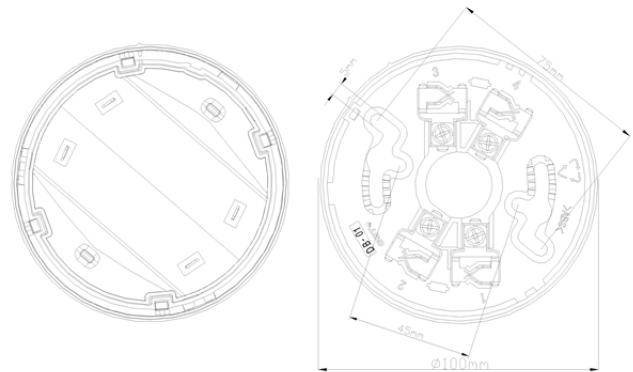
- Electrically addressed, can be modified by programmer.
- Strong environmental adaptability due to drift compensation.
- Self-diagnostic.
- Reed switch test.
- Dirty chamber checking.
- Fire LED allows 360° viewing
- Possible to switch off pulling LED
- Remote indicator output.
- 2 levels smoke sensitivities, level 1 complies with EN 54-7.
- LPCB approved at EN 54-7 and EN 54-5.

Certificates and Compliance

- Standards: EN54-5, EN54-7
- Certifications: LPCB

Terminals and Installation Holes

Below figures show the detector bottom and terminals of the base.



There are four terminals with marks on the base.

1&3: Loop connection (non-polarized)

2: Positive terminal of remote indicator

4: Negative terminal of remote indicator

The base is suitable to be installed onto standard European embedded back box, with hole-distance 45mm to 75mm

Recommended Cabling

1.0mm² or above fire cable is recommended, but subject to local codes.

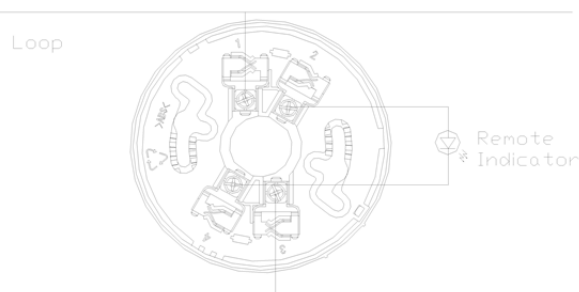
Application

Address can be set through P-9910B programmer, also the sensitivity. Below table shows relative codes for sensitivity levels and working modes. Factory defaults at Level 1 + Rate of Rise + Normal LED.

Detector Codes

Detector Code	Smoke Sensitivity	Heat Detection	Polling LED
1	1	Rate of Rise	Normal
2	2	Rate of Rise	Normal
129	1	Rate of Rise	OFF
130	2	Rate of Rise	OFF

The typical wiring diagram is shown below.



Technical Specification

Operating Voltage	loop 24V (16V ~ 28V)
Standby Current	≤0.8mA
Alarm Current	≤1.8mA (without remote indicator) ≤3.8mA (with remote indicator)
Indicator	Red. Flashes in polling, and illuminates in alarm
Programming Method	Electronically programming
Code Range	1 ~ 242
Wiring	Non-polarized 2-core for loop. Polarized 2-core for remote indicator.
Sensitivity Level	2
Heat Detector Class	A2R
Action Temperature	62 °C
Environment Temperature	-10°C ~ 50°C
Relative Humidity	≤95%, non condensing
Material of Enclosure	ABS
Ingress Protection Rating	IP2X
Dimensions	Diameter: 100mm Height: 54.5mm (with base)
Mounting Hole Distance	45mm ~ 75mm
Weight	About 110g

Ordering Information and Compatible Products

Part No.	DI-9101E
Device Name	Intelligent Combined Heat Photoelectric Smoke Detector
Order Code	1014829
Compatible Products	GST100 Intelligent Fire Alarm Control Panel GST200-2 Intelligent Fire Alarm Control Panel GST200N Intelligent Fire Alarm Control Panel GST- IFP8 Intelligent Fire Alarm Control Panel

Accessories and Tools



Part No.: DB-01
Device name: Standard Base
Order Code: 4045764



Part No.: DC-9504E
Device name: Base Mount Isolator
Order Code: 1245103



Part No.: C-9314P
Device name: Remote Indicator
Order Code: 2132339



Part No.: P-9910B
Device name: Handheld Programmer
Order Code: 1274894