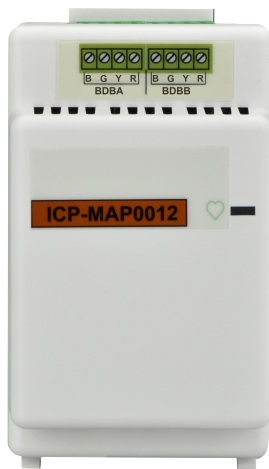


MAP CAN Splitter Module

www.boschsecurity.com



BOSCH
Invented for life

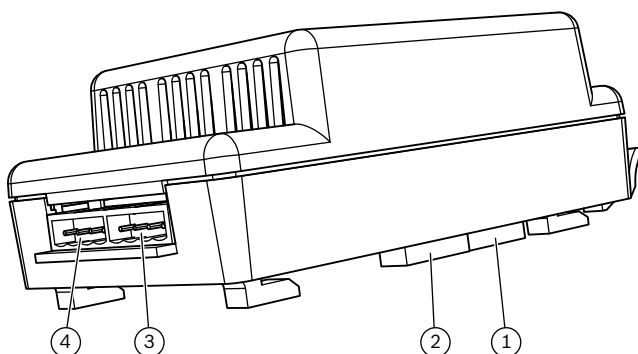


- ▶ Flexible wiring into different directions due to two independent stubs
- ▶ Higher reliability due to up to 17 independent areas per MAP 5000
- ▶ Less investment costs
- ▶ Easy installation due to simple sliding onto the rail
- ▶ No configuration needed

Optional hardware device splitting one Bosch Data Bus (BDB) into two independent and isolated stubs to connect keypads, gateways and further power supplies.

This way, flexible wiring into different directions with up to 500 m cable length as well as a higher reliability can be achieved.

System overview



System overview

1	Bosch Data Bus connector (BDB)
2	Bosch Data Bus connector (BDB)

3	Bosch Data Bus connector A (BDB A)
4	Bosch Data Bus connector B (BDB B)

Terminals and Connectors

The module is included in a plastic enclosure. The terminal blocks and system connectors are accessible without removing the plastic cover or base.

Functions

Independent and isolated areas

Up to 8 CAN Splitter Modules with two stubs each can be installed in a MAP 5000 system. Therefore, up to 16 independent and isolated areas can be created additionally to the internal Bosch Data Bus (BDB). If an error occurs in one area, the other areas are not affected and function normally.

Number of devices per stub

Up to 71 CAN devices can be configured on the external Bosch Data Bus (BDB) per MAP 5000 system. These 71 devices can be individually divided on the stubs.

If the maximum output current per stub of 900 mA is exceeded, an additional power supply can be added.

Flexible wiring

The maximum wire length for each stub is 500 m. This enables a more flexible coverage as the stubs can be laid in different directions.

Higher reliability

The independent and isolated stubs offer a higher fault protection and thus a higher reliability of the system.

VdS conformity

For a VdS conform installation it is necessary to use independent and isolated areas. Additionally to the one VdS conform area on the internal Bosch Data Bus (BDB), with the CAN Splitter Module a VdS conformity for up to 16 areas on the external Bosch Data Bus (BDB) can be achieved with less investment costs.

Installation

The module can be installed easily by sliding it onto the rail of the hinged mounting plate.

Configuration

No configuration is necessary.

Certifications and approvals

Region	Certification	
Germany	VdS	G111040 ICP-MAP-5000
Europe	CE	EN 55022, EN 50130-4, EN 6100-3-2, EN 6100-3-3, EN 60950-1 MAP 5000 family
	CE	EN 50130-4, EN 61000-6-3, MAP CAN Splitter Module
	EN50131	EN-ST-000121 MAP 5000

Parts included

Qty.	Component
1	ICP-MAP0012 CAN Splitter Module
1	ICP-MAP0134 CAN cable short
2	Terminal plug (green)
1	Installation manual

Technical specifications**Electrical**

Minimum operating voltage in VDC	16
Maximum operating voltage in VDC	29
Rated voltage in VDC	28
Rated current in mA	50
Maximum output current in mA per stub	900

Mechanical

Dimension in cm (H x W x D)	15,9 x 8,3 x 6,4
Weight in g	168
Housing material	ABS plastic
Color	off-white

Environmental

Minimum operating temperature in °C	-10
Maximum operating temperature in °C	55
Minimum storage temperature in °C	-20
Maximum storage temperature in °C	60
Minimum relative humidity in %	5
Maximum relative humidity in %	95
Usage	indoor
Protection class	IP30
Security level	IK04
Environmental class	II

Ordering information**MAP CAN Splitter Module**

Provides two independent and isolated stubs for the connection of further keypads, gateways and external power supplies.

Order number **ICP-MAP0012**

Represented by:

Americas:

Bosch Security Systems, Inc.
130 Perinton Parkway
Fairport, New York, 14450, USA
Phone: +1 800 289 0096
Fax: +1 585 223 9180
security.sales@us.bosch.com
www.boschsecurity.us

Europe, Middle East, Africa:

Bosch Security Systems B.V.
P.O. Box 80002
5617 BA Eindhoven, The Netherlands
Phone: + 31 40 2577 284
Fax: +31 40 2577 330
emea.securitysystems@bosch.com
www.boschsecurity.com

Asia-Pacific:

Robert Bosch (SEA) Pte Ltd, Security
Systems
11 Bishan Street 21
Singapore 573943
Phone: +65 6571 2808
Fax: +65 6571 2699
apr.securitysystems@bosch.com
www.boschsecurity.asia

China:

Bosch (Shanghai) Security Systems Ltd.
203 Building, No. 333 Fuquan Road
North IBP
Changning District, Shanghai
200335 China
Phone +86 21 22181111
Fax: +86 21 22182398
www.boschsecurity.com.cn

America Latina:

Robert Bosch Ltda Security Systems Division
Via Anhanguera, Km 98
CEP 13065-900
Campinas, Sao Paulo, Brazil
Phone: +55 19 2103 2860
Fax: +55 19 2103 2862
latam.boschsecurity@bosch.com
www.boschsecurity.com